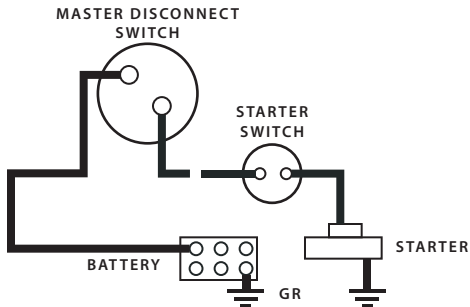


Taylor Cable Products, Inc.

INSTRUCTION SHEET FOR MASTER DISCONNECT SWITCH

WIRING DIAGRAM FOR D.P.S.T. MASTER DISCONNECT SWITCHES
FOR USE WITH ALTERNATOR OR GENERATOR SYSTEMS



PART NO. 001032

IS016