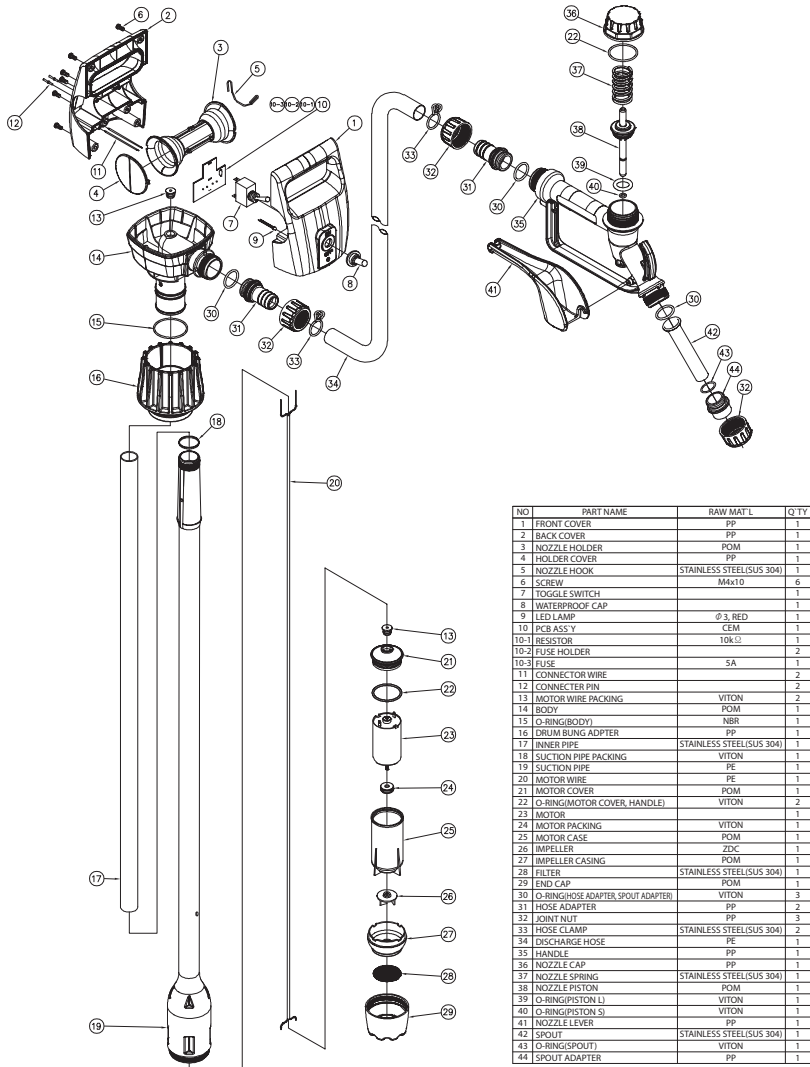


**ASSEMBLY DIAGRAM**



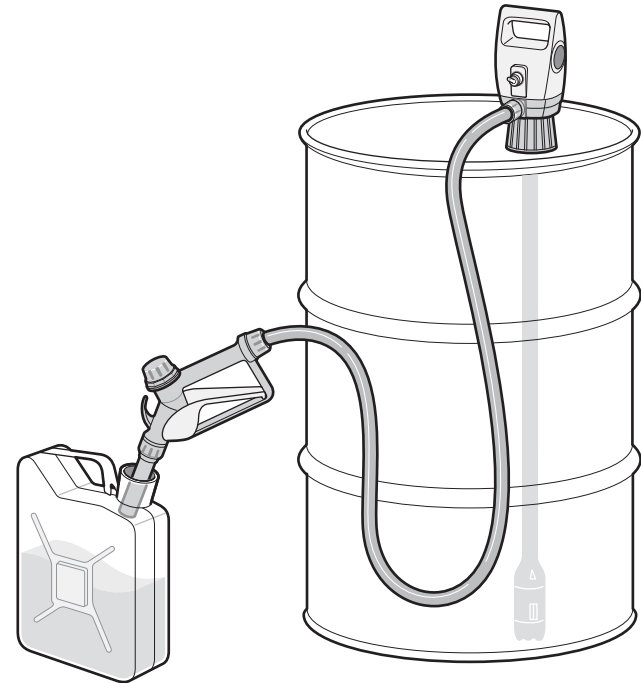
# ELECTRIC DRUM PUMP

## INSTRUCTIONS AND PRECAUTIONS

※ Read all instructions and precautions before use.

**MODEL: TReDRUM-S**

U.S. Design patent US D723,587 S  
Design patent EU 002530402-0001



## Precautions for Use

These instructions are to ensure the product is used correctly, safely, and to prevent any possible risk or damage to the user and/or others people. Our company shall not take any responsibility for any failure of product, malfunction and damages caused by improper use by the user or third parties.

### **DANGER**

If the directions of this sign are not followed, fatal accidents can happen and the user may die or get seriously injured.

### **WARNING**

If the directions of this sign are not followed, accidents can happen or the user can get injured.

### **CAUTION**

If the directions of this sign are not followed, the product can get damaged or the user can get injured.

### **DANGER**

Do not use for flammable liquids or concentrated acids.

Be cautious. This pump does not have an explosion proof motor.

Do not use near the flammable materials such as gasoline, gas, etc.

Only use on applicable liquids written on the specifications.

### **WARNING**

Make sure the pump is tightly secured to the drum(tank) before turning the pump on.

Do not refuel directly while the vehicle or equipment is turned on.

Do not leave the pump unattended.

Do not bend, bind or pull the power cord by force.

Make sure to use the pump on even surface.

Do not allow children to operate the product without adult supervision.

### **CAUTION**

After using the pump, do not keep it on its side or upside down.

Make sure to remove any left-over liquid in the discharge hose after each use.

Do not alter or disassemble the pump.

Do not run the pump 'dry' or let the pump idle without transferring.

Make sure to turn off the power after using the pump.

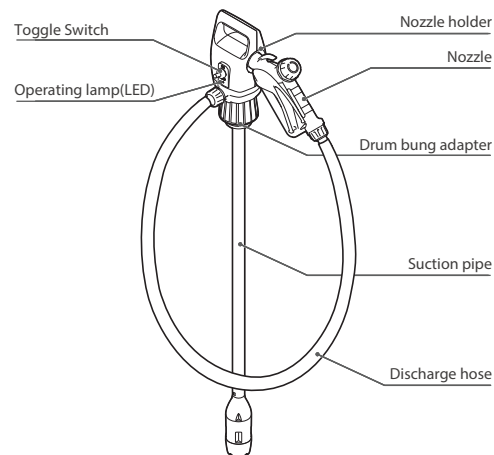
Do not shock the pump.

Do not use deteriorated or contaminated liquids and fuels.

Do not place the pump in a wet area.

Do not use this pump for hot liquids above 40°C (104°F).

## Names of Parts



## Specifications (MODEL: TReDRUM-S)

Delivery volume	Approx. 19liters (5 Gallons) - DC12V at Water	Operating temperature	+5°C ~ 40°C (41°F ~ 104°F)
Suction pipe length	Approx. 850 ~ 865mm (33.5"~ 34")	Operating voltage	DC12V ~ 20V
Discharge hose length	Approx. 2m (6.6ft)	Fuse	5A
Applicable liquids	Diesel, DEF(AdBlue), Water, Kerosene, Antifreeze, Windshield washer fluid, Mild detergents, Agricultural chemicals, Light oils.		

## Directions for Use

- Insert the suction pipe into the drum (tank).
- Tighten the drum bung adapter.
- Pull out the nozzle from the nozzle holder.
- Place the nozzle into the receiving container to transfer liquid.
- Toggle switch ON(Up).
- Pull the nozzle lever and start supplying the liquid.
- Release the lever when the liquid supply is completed.
- Toggle switch OFF(Down).
- Pulling the lever of the nozzle, lift it up.
- Let the left-over liquid in the hose flow back into the drum (tank).
- Insert the nozzle in the nozzle holder for storage.