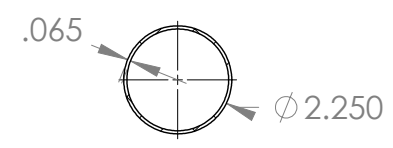
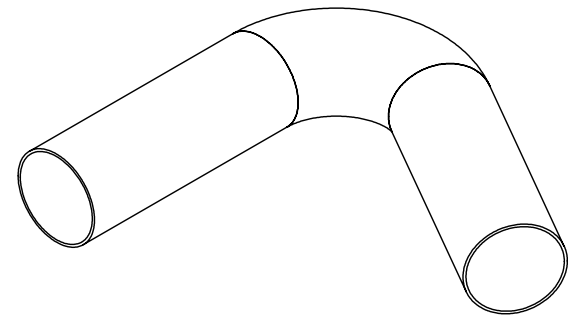
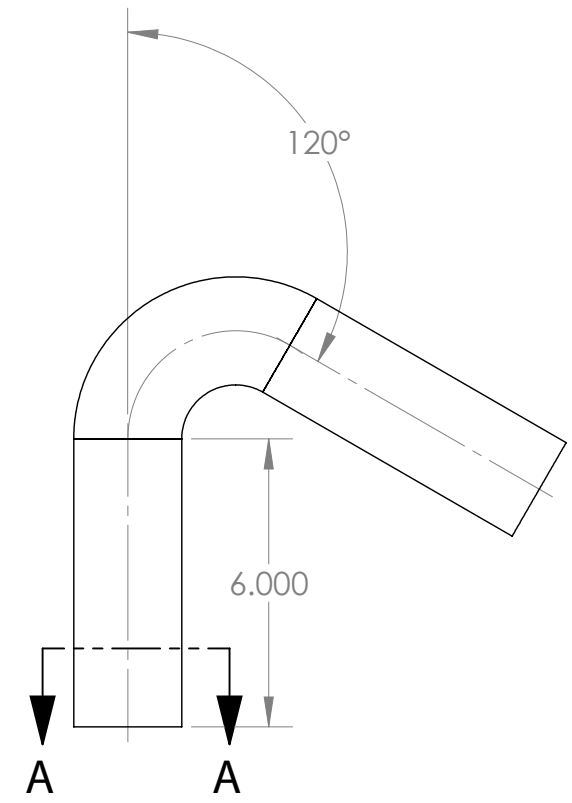


8 7 6 5 4 3 2 1

D  
C  
B  
A



SECTION A-A  
SCALE 1 : 4



TITLE			
2.25 DIA. AL, 120 DEG BEND, 1D			
SIZE	DWG. NO.	REV.	
B	AEM-2-000-120	A	
SCALE	1:2	<input type="radio"/> UK <input checked="" type="radio"/> USA <input type="radio"/>	SHEET 1 OF 1

8 7 6 5 4 3 2 1