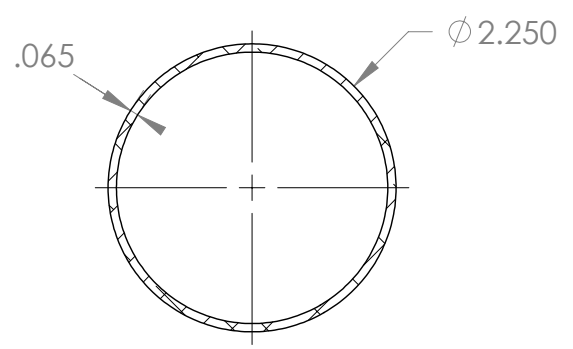
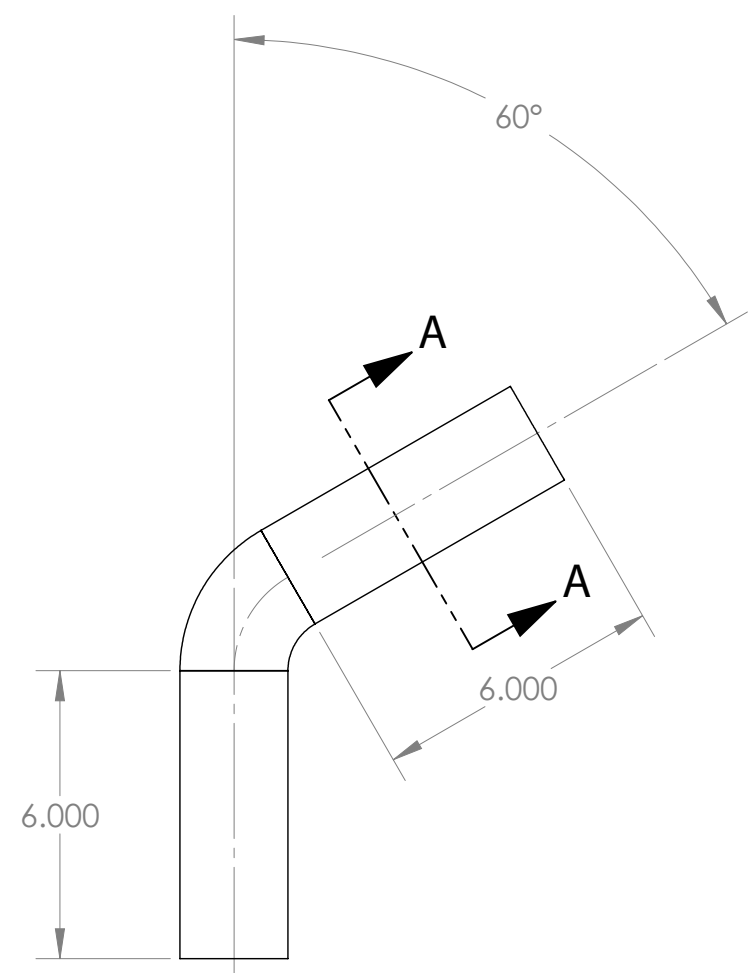
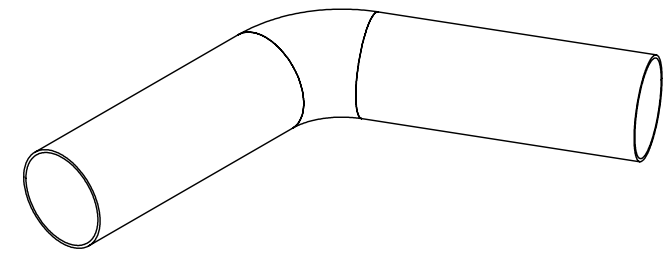


8 7 6 5 4 3 2 1

D
C
B
A



SECTION A-A
SCALE 1 : 1.5



D
C
B
A



TITLE				2.25 DIA. AL, 60 DEG BEND, 1D			
SIZE	DWG. NO.			REV.			
B	AEM-2-000-60			A			
SCALE	1:4	<input type="radio"/> UK	<input checked="" type="radio"/> USA	<input type="radio"/>	SHEET 1 OF 1		

8 7 6 5 4 3 2 1