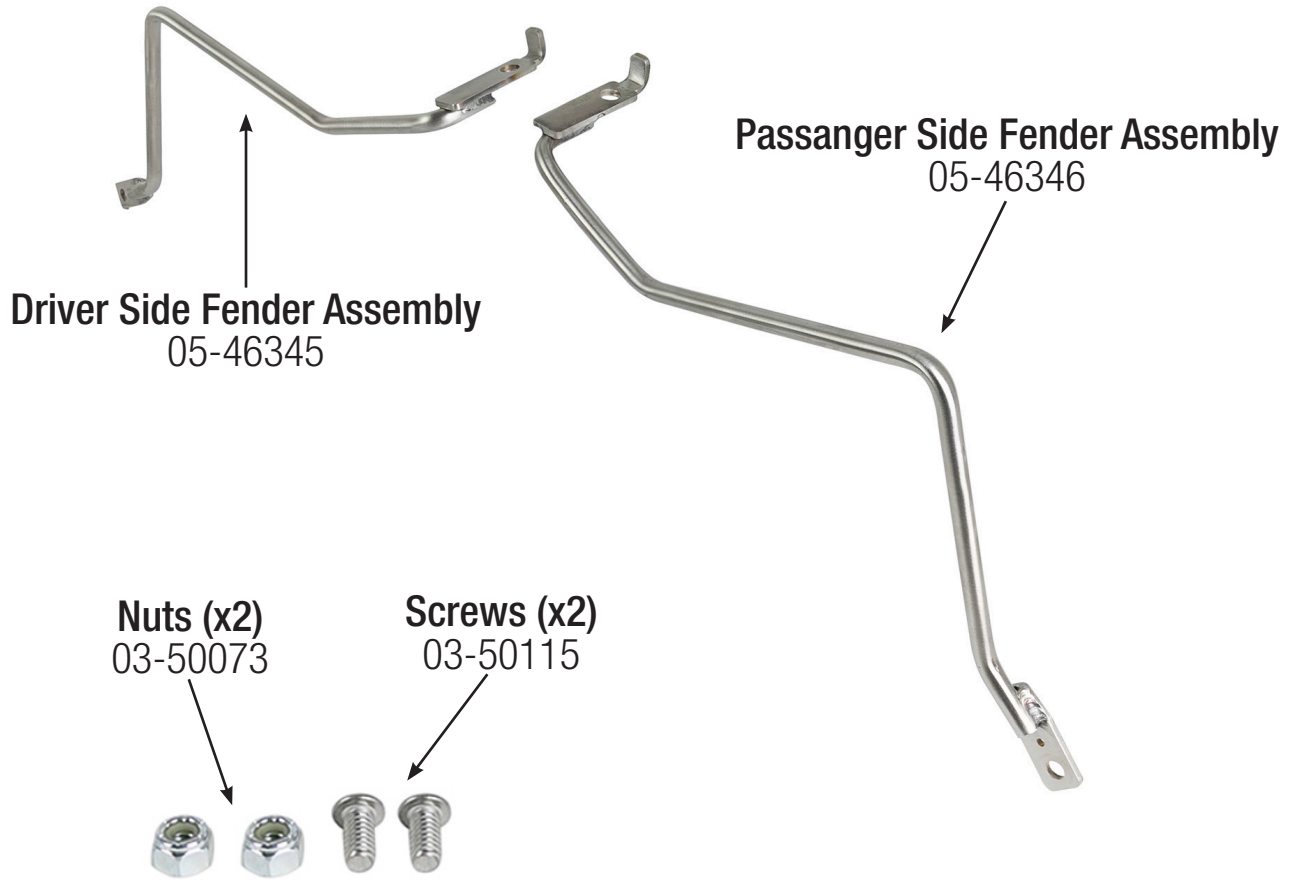




## INSTALLATION INSTRUCTIONS

**MAKE:** Dodge  
**MODEL:** Challenger SRT Demon  
**YEAR:** 2018 - 2019  
**ENGINE:** V8-6.2L (sc)

**Support Bracket Assembly**  
49-82010



**Caution:** aFe recommends professional installation on our products. Allow time for your vehicle to cool down prior to installation. When working on or under your vehicle proceed with caution. Exhaust systems reach high temperatures and may cause serious burns. Wear protective safety equipment; eye goggles and gloves to ensure a safe installation.

- Step 1:** Remove plastic rivet next to the lower mounting point of the driver side fender support bracket.
- Step 2:** Unbolt the fender mounting bracket at the top where it mounts to the chassis. Retain bolt for re-use.
- Step 3:** Disconnect the fender mounting bracket from the Christmas tree fastener on the lower side.
- Step 4:** Remove Christmas tree fastener from the vehicle.
- Step 5:** Install the aFe fender support bracket using the bolt removed in step 2 and the provided hardware on the bottom.
- Step 6:** Install the Christmas tree fastener removed in **step 4** in the location of the plastic rivet removed in **step 1**.
- Step 7:** Repeat process for the passenger side.
- Step 8:** Your installation is now complete.