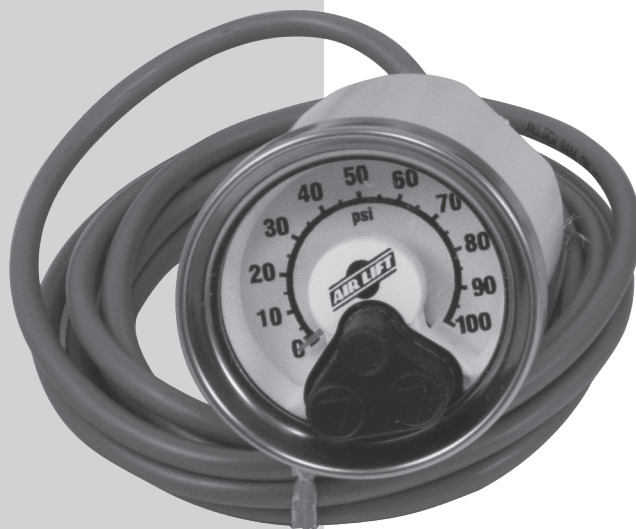


# **Load**CONTROLLER™ *Single*

by AIR LIFT®

# **Kits 25850 and 25854** *Single Gauge Analog Compressor Systems*



## **INSTALLATION GUIDE**

For maximum effectiveness and safety, please read these instructions completely before proceeding with installation.

*Failure to read these instructions can result in an incorrect installation.*





# TABLE OF CONTENTS



<b>Introduction</b> . . . . .	<b>2</b>
Important Safety Notice . . . . .	2
Notation Explanation . . . . .	2
<b>Installation Diagram</b> . . . . .	<b>3</b>
<b>Hardware List.</b> . . . . .	<b>4</b>
<b>Single Analog Gauge Electrical Schematic</b> . . . . .	<b>5</b>
<b>Single Analog Gauge Mounting Options.</b> . . . . .	<b>6</b>
<b>Installing the Load Controller / Single System.</b> . . . . .	<b>7</b>
Getting Started . . . . .	7
Recommended Compressor Locations . . . . .	7
Step by Step Installation . . . . .	8
Standard Duty Compressor Mounting . . . . .	8
Heavy Duty Compressor Mounting . . . . .	8
Air Line and Power Wires Routing for the Standard Duty Compressor. . . . .	9
Air Line and Power Wires Routing for the Heavy Duty Compressor . . . . .	10
<b>Product Use Information.</b> . . . . .	<b>12</b>
Frequently Asked Questions . . . . .	12
Tuning the Air Pressure. . . . .	12
Guidelines for Adding Air. . . . .	13
<b>Limited Warranty and Return Policy</b> . . . . .	<b>14</b>
<b>Replacement Information</b> . . . . .	<b>15</b>
<b>Contact Information</b> . . . . .	<b>15</b>

# Introduction

The purpose of this publication is to assist with the installation of the LoadController / Single onboard air management system.

It is important to read and understand the entire installation guide before beginning installation or performing any maintenance, service or repair. The information here includes a hardware list and step-by-step installation information.

Air Lift Company reserves the right to make changes and improvements to its products and publications at any time. Contact Air Lift Company at (800) 248-0892 or visit us online at [www.airliftcompany.com](http://www.airliftcompany.com) for the latest version of this manual.

## IMPORTANT SAFETY NOTICE

The installation of this kit does not alter the Gross Vehicle Weight Rating (GVWR) or payload of the vehicle. Check your vehicle's owner's manual and do not exceed the maximum load listed for your vehicle.

**Gross Vehicle Weight Rating:** The maximum allowable weight of the fully loaded vehicle (including passengers and cargo). This number — along with other weight limits, as well as tire, rim size and inflation pressure data — is shown on the vehicle's Safety Compliance Certification Label.

**Payload:** The combined, maximum allowable weight of cargo and passengers that the truck is designed to carry. Payload is GVWR minus the Base Curb Weight.

## NOTATION EXPLANATION

Hazard notations appear in various locations in this publication. Information which is highlighted by one of these notations must be observed to help minimize risk of personal injury or possible improper installation which may render the vehicle unsafe. Notes are used to help emphasize areas of procedural importance and provide helpful suggestions. The following definitions explain the use of these notations as they appear throughout this guide.



### DANGER

INDICATES IMMEDIATE HAZARDS WHICH WILL RESULT IN SEVERE PERSONAL INJURY OR DEATH.



### WARNING

INDICATES HAZARDS OR UNSAFE PRACTICES WHICH COULD RESULT IN SEVERE PERSONAL INJURY OR DEATH.



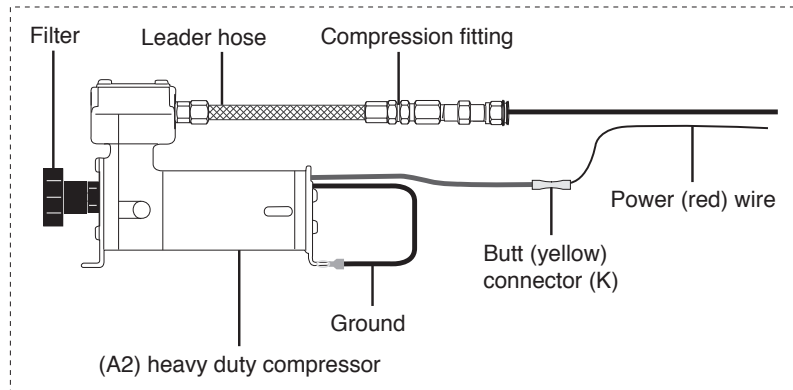
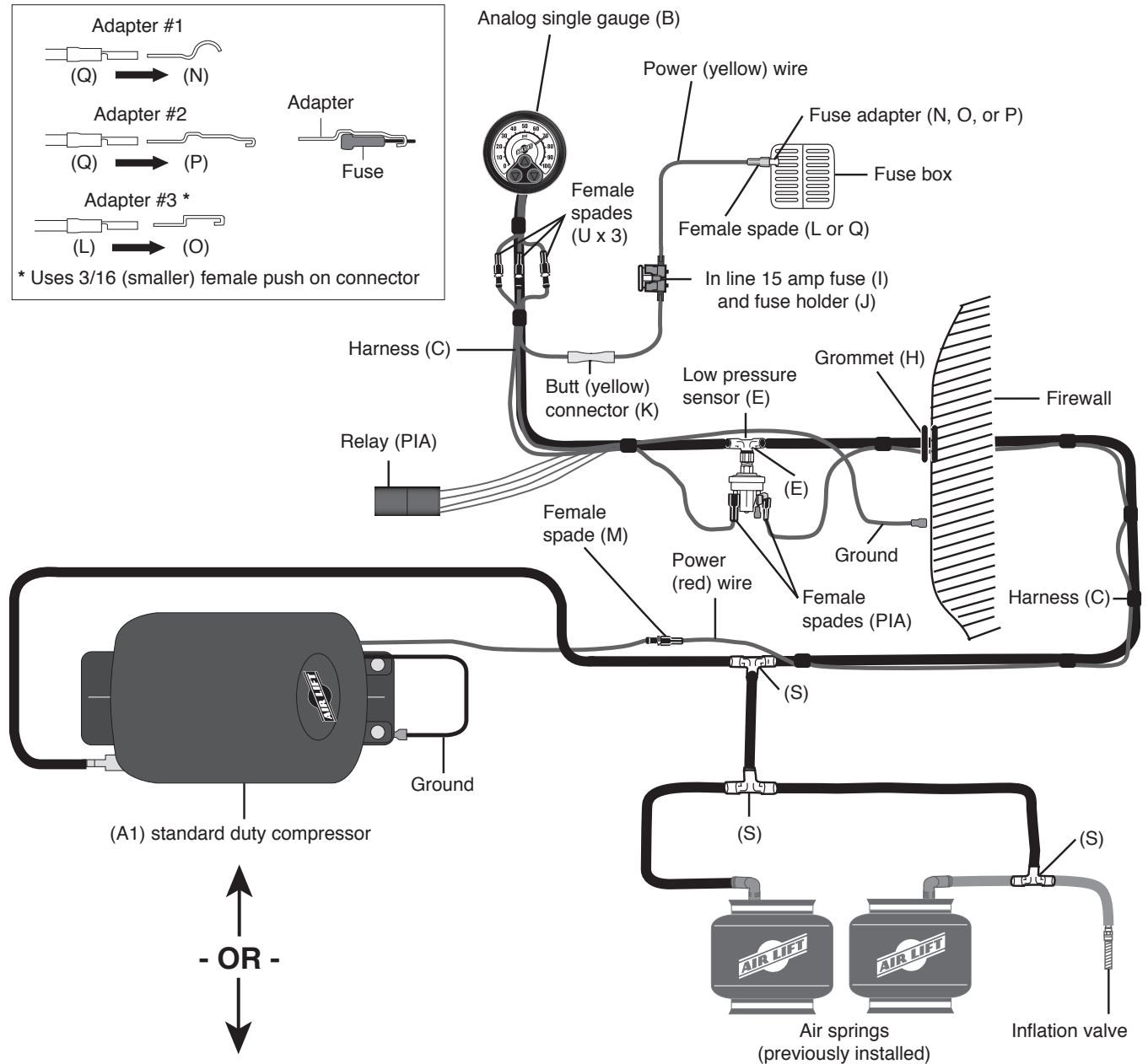
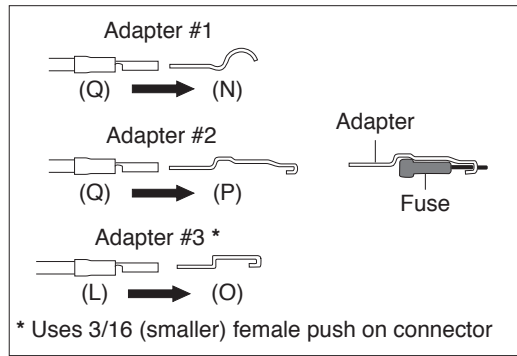
### CAUTION

INDICATES HAZARDS OR UNSAFE PRACTICES WHICH COULD RESULT IN DAMAGE TO THE MACHINE OR MINOR PERSONAL INJURY.

## NOTE

*Indicates a procedure, practice or hint which is important to highlight.*

# Installation Diagram



**NOTE: THIS IS NOT AN ELECTRICAL SCHEMATIC BUT A LAYOUT OF THE CONTROL SYSTEM. SEE PAGE 5 FOR ELECTRICAL DIAGRAMS.**

# Hardware List

Item	Part #	Description .....	Qty
A1	16060	Standard Duty Compressor .....	1
A2	16092	Heavy Duty Compressor.....	1
B	25194	Analog Single Gauge .....	1
C	26512	Harness, Single Analog Gauge.....	1
D	21952	Tee, 1/8 FNPT X 1/4 PTC.....	1
E	24558	Sensor, 5 PSI.....	1
F	20946	1/4" Air Line, "DOT".....	25'
G	25196	Gauge Mounting Kit .....	1
H	10463	Grommet.....	1
I	24652	Spade Fuse, 15 Amp (ATC).....	1
J	24539	Fuse Holder (ATC/ATO) .....	1
K	24752	Center Butt, 12-10 GA Shrink Tube....	2
L	24524	3/16" Terminal, FSpd 14-16GA.....	1
M	24595	1/4" Terminal, FSpd 10-12GA.....	1
N	24543	Fuse, AGC Tap In.....	1
O	24561	Mini Fuse Adapter.....	1
P	24542	ATC/ATO Fuse Tap In 1/4 .....	1
Q	24594	1/4" Terminal, FSpd 14-16GA.....	1
R	10466	8" Zip Tie.....	5
S	21838	Tee Union 1/4" X 1/4" PTC .....	3
T	17441	#8-18X1" Tek Screw .....	2
U	24592	1/4" Terminal, FSpd 18-22GA.....	3



Missing or damaged parts? Call Air Lift customer service at (800) 248-0892 for a replacement part.

# Single Analog Gauge Electrical Schematic

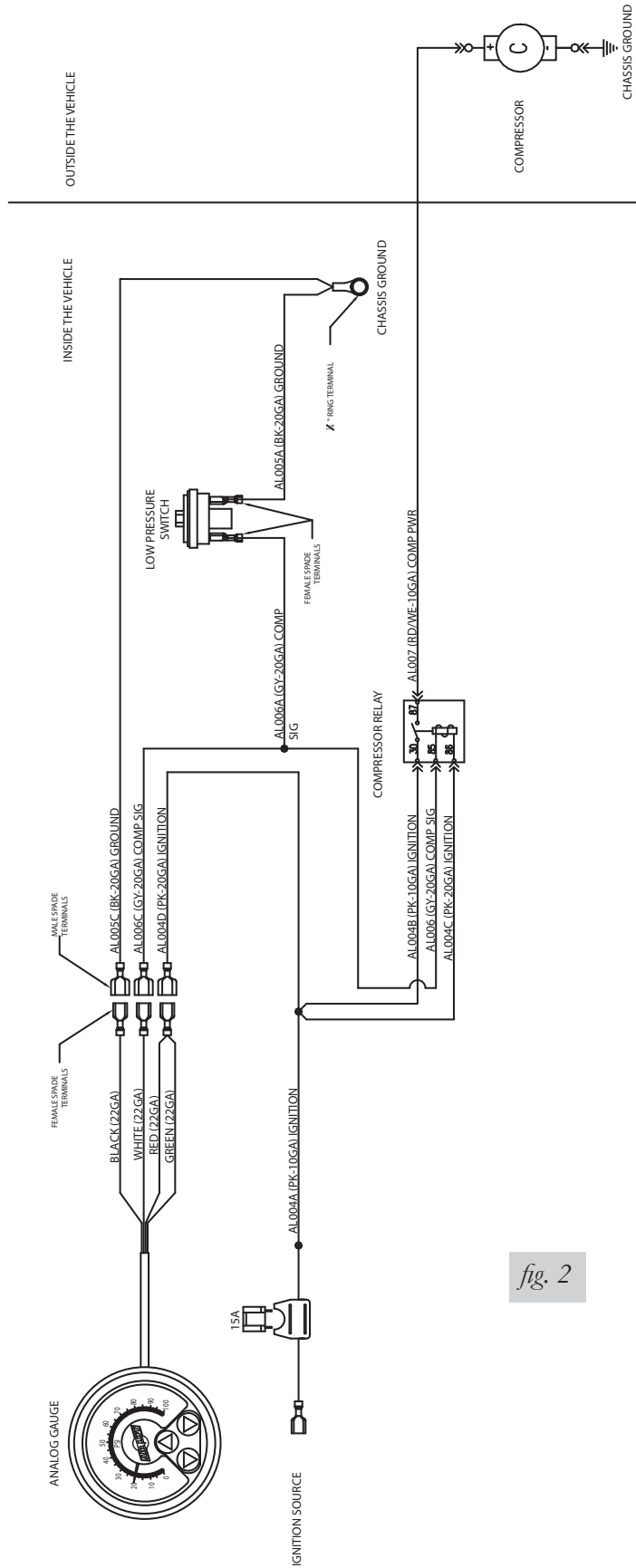


fig. 2

# Single Analog Gauge Mounting Options

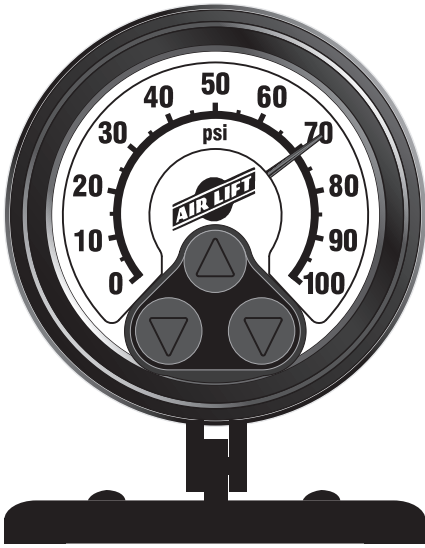


fig. 3

Single analog gauge mounting hardware on bottom of gauge

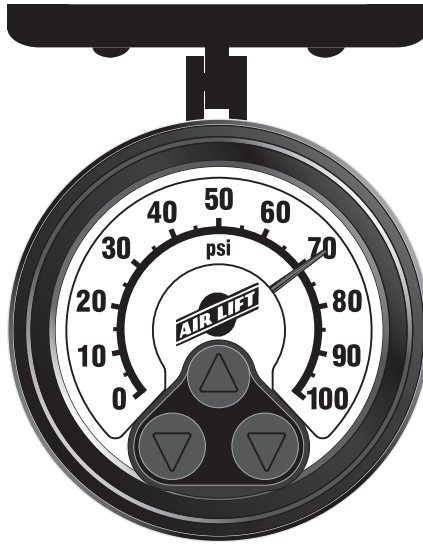


fig. 4

Single analog gauge mounting hardware on top of gauge



fig. 5

Back of analog gauge

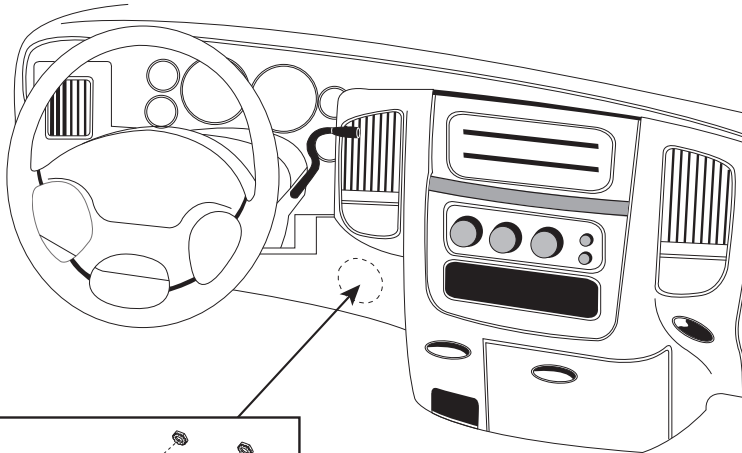
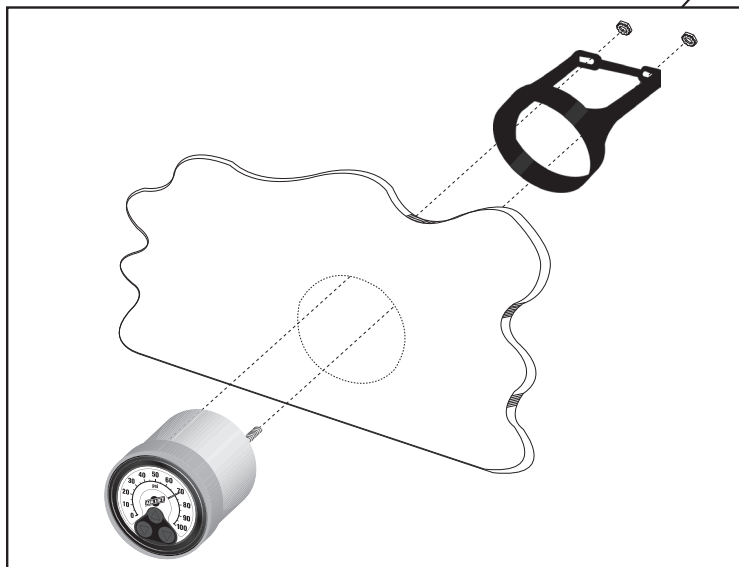


fig. 6 Optional Dashboard Mounting (Exploded View)



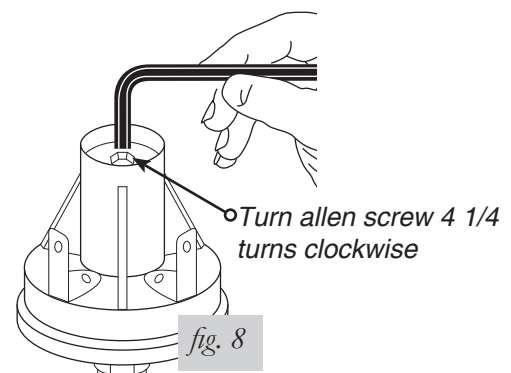
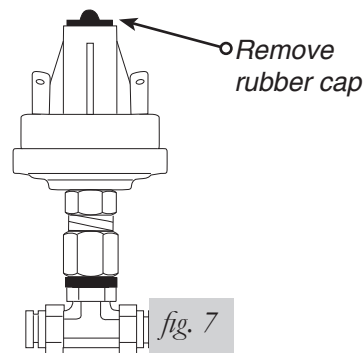


# Installing the Load Controller / Single System

## GETTING STARTED

This part of the installation should be done after the air spring kit is installed. If you have any questions, please call Air Lift customer service at (800) 248-0892.

If you are adding this control system to an Air Lift LoadLifter 5000™ application, then no modifications to the low pressure sensor are necessary. If you are adding this control system to an Air Lift 1000™ or Ride Control™ application, and if your specific application requires a minimum of 10 PSI, then it will be necessary to adjust the low pressure sensor to 10 PSI. To increase the pressure in the low pressure sensor, remove the rubber plug with pliers (fig. 7). Using an allen wrench, turn the screw clockwise 4 1/4 turns (fig. 8). Push the rubber plug back into the top of the low pressure sensor. Proceed with the step by step installation instructions.



## RECOMMENDED COMPRESSOR LOCATIONS

### Important

LOCATE COMPRESSOR IN DRY, PROTECTED AREA ON VEHICLE.  
DIRECT SPLASH OR EXCESSIVE MOISTURE CAN DAMAGE  
THE COMPRESSOR AND CAUSE SYSTEM FAILURE.

Disclaimer: If you choose to mount the compressor outside the vehicle please keep in mind the compressor body must be shielded from direct splash and the intake should be snorkeled inside the vehicle. If the compressor does not include a remote mount air filter or if mounting the compressor outside the vehicle, make sure to orient the compressor intake filter so that all moisture can easily drain.

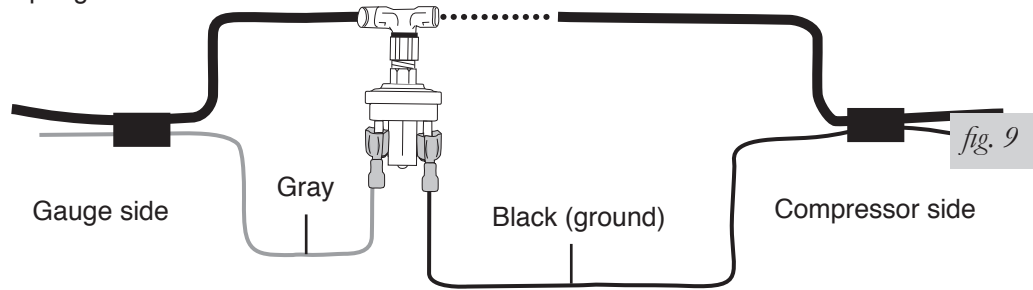
#### Please also remember...

- To avoid high heat environments
- To avoid mounting the compressor under the hood.
- To check to be sure the compressor harness #2 will reach the compressor and connect to harness #1.

The compressor can be mounted in any position — vertical, upside down, sideways, etc. (please refer to the instruction manual).

## STEP BY STEP INSTALLATION

We recommend that you install the air spring kit first per the instructions provided with the air spring kit.



1. Install the gauge pod (figs. 3, 4 & 5). Select a convenient mounting location that has a sturdy rigid surface. The bottom edge of the dash on either side of the steering wheel is a good location. Attach the gauge pod to the selected location with the black self-tapping screws.

### NOTE

*Optional dash mounting bracket and hardware also included (fig. 6).*

2. Connect the harness to the gauge pod.
  - a. Connect the color coded wires to the gauge harness as shown in the attached schematic.
  - b. Connect the low pressure switch assemblies as shown in figures 2 and 9.
  - c. Do not connect the power wire at this time.
  - d. The wiring harness also connects the gauge pod to the low pressure sensor assembly. The low pressure sensor protects the air springs from failure resulting from low pressure in the unloaded condition. This sensor is preset to maintain a MINIMUM pressure of 5 PSI in the air springs unless the setting was changed in the "Getting Started" section. The sensor measures the pressure in each spring and turns on the compressor if the pressure falls below the set PSI.
  - e. Screw ground eyelet to firewall or other electrical ground in the cab.

### NOTE

*The sensor should be located under the dash inside the vehicle and secured with the provided tie straps.*

3. Install the compressor unit.
  - a. Hold the compressor in the recommended location (fig. 10 or 11).
  - b. For box frames: In some cases the frame section will not be wide enough to mount the compressor legs flat to the rail. Refer to figs. 10 and 11 in this situation.

### CAUTION

DO NOT DRILL ANY HOLES INTO THE FRAME OR THE FLOOR BOARD BEFORE CHECKING FOR HYDRAULIC LINES, GAS LINES, AND/OR ELECTRICAL WIRES THAT MAY NEED TO BE MOVED ASIDE. ALSO, WHEN ATTACHING TO THE FLOOR BOARD, IT IS IMPORTANT TO CHECK WHERE THE SCREWS PROTRUDE THROUGH THE FLOOR BOARD. IT MAY BE NECESSARY TO TRIM OR COVER THE TOP OF THE SCREWS INSIDE THE VEHICLE. A SEALER SHOULD BE USED AROUND THE SCREW TO PREVENT THE ELEMENTS FROM ENTERING THE CAB AREA.

## STANDARD DUTY COMPRESSOR MOUNTING (FIG. 1 - A1, 10)

### NOTE

*In some cases the mounting area does not provide enough room to use a drill to drive in the screws. It may be necessary to use the mounting brackets as a template to drill 13/64" holes through the frame first and then use a 7/16" nut driver to install the self tapping screws.*

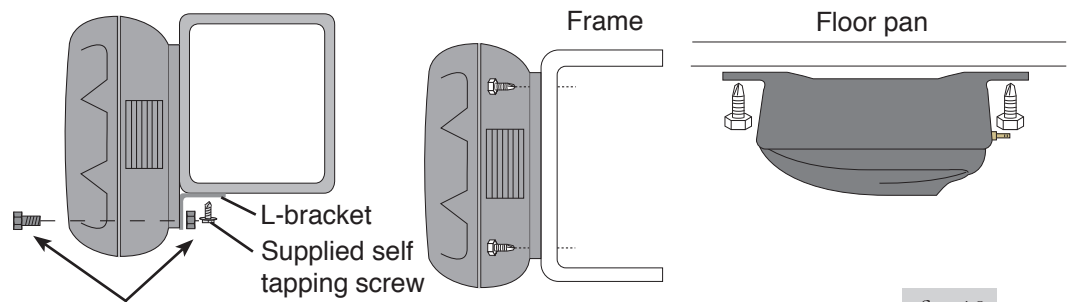


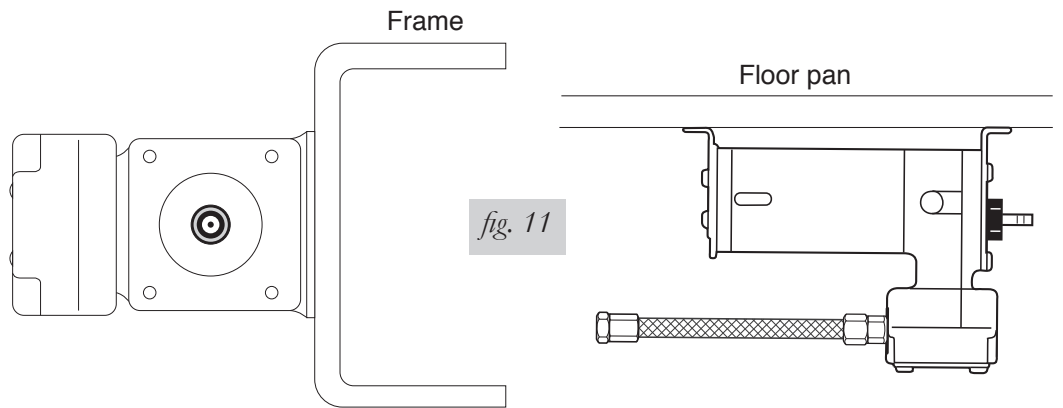
fig. 10

1/4" Bolt and nut will need to be provided if the L-bracket is fabricated. The L bracket is shown as an optional mounting method and is not supplied.

### HEAVY DUTY COMPRESSOR MOUNTING (FIG. 1 - A2, 11)

**NOTE**

Using the compressor as a template, drill holes and mount the compressor using the black mounting hardware that comes in the box containing the compressor.

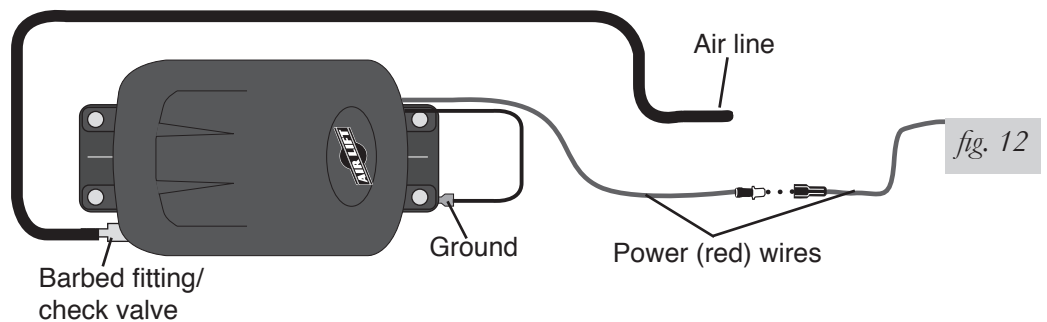


**NOTE**

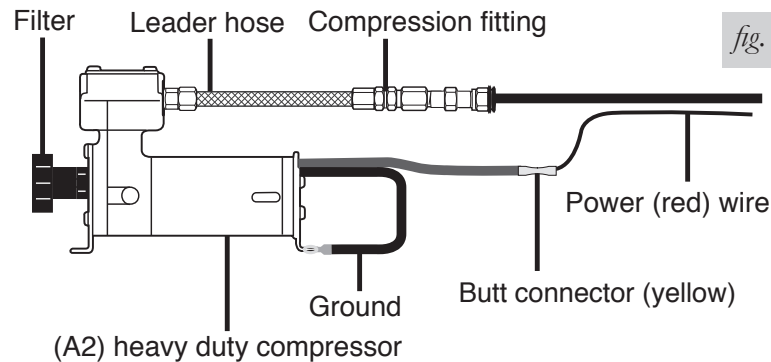
Attach the compressor ground wire to one of the mounting screws (fig. 1).

### AIR LINE AND POWER WIRES ROUTING FOR THE STANDARD DUTY COMPRESSOR:

1. Push the air line onto the barb fitting on the compressor. Make sure the air line covers all barbs. A small amount of water or lubricant and pushing with a slight circular motion will ease installation (fig. 12).



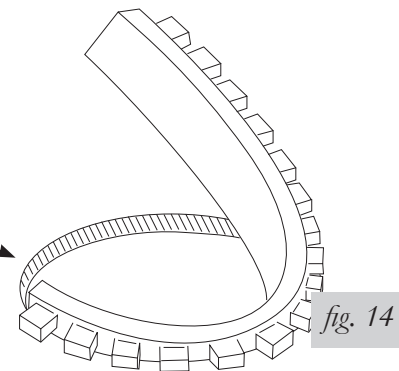
## AIR LINE AND POWER WIRE ROUTING FOR THE HEAVY DUTY COMPRESSOR:



1. Remove the nut from the leader hose and install over air line from check valve assembly.
2. Push the air line from the check valve assembly into the barbed fitting on the compressor leader hose.
3. Slide the nut over the fitting and tighten securely (fig. 13).
4. Route the harness to the compressor.
  - a. Use existing grommets in the floorboard or firewall to route the harness from the cab to the frame mounted compressor.
  - b. In some cases, a hole may have to be drilled to allow access for the harness. Drill a 1" diameter hole and install the provided grommet (fig. 14). It will be necessary to seal any grommets or holes that have been cut, drilled or removed so as not to allow elements to enter the cab area of the vehicle.

*After the hole is drilled and before you route the harness to through the firewall, insert the grommet and "walk" the material around the inside edge of the drilled hole. You may have to trim the grommet to get an exact fit.*

*(The flexible grommet is in the sealed parts package.)*

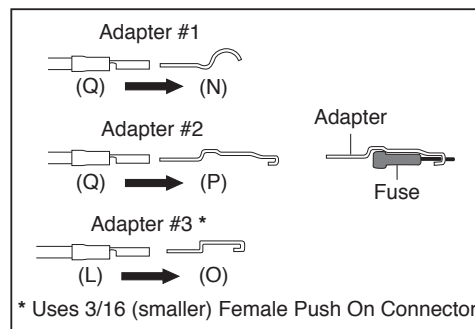


- c. When routing the wiring harness, it should not be routed so as to lay on, or near, the exhaust pipe/muffler/catalytic convertor of the vehicle. Routing along the top of a crossmember or over a heat shield is recommended.
5. The next connection is between each air spring and the air line "T" fitting.
  - a. With the air springs deflated, use a hose cutter to cut the air line already installed between the air springs and the inflation valves.
  - b. Install the provided "T" fittings (fig. 1) by pushing the air line into each leg of the "T" until you feel a definite "click". Each line should go in 9/16".
  - c. Connect a single length of air line to the open leg of the "T". Connect as shown in the pneumatic schematic.
  - d. Route the air line across the chassis from the far side over the exhaust system heat shields and along the frame up to the compressor. Avoid heat sources, sharp edges, and tight bends.

- e. Route air lines into cab from “T” fitting and attach to pressure switch assembly as shown in the pneumatic schematic.
  - f. Route air lines from low pressure switch to gauge barb.
  - g. Press air line over gauge barb. Water or lube may assist in securing air lines over the barb. A circular motion will assist in installation.
6. Connect the power wire to fused ignition.
- a. Route it to the vehicle fuse box.
  - b. Determine which open terminal (accessory, etc.) works only when the key is in the “on” or accessory position (or refer to the owners manual for an available accessory fuse). The terminal should have an amperage rating higher than the 15 amp in-line fuse.
  - c. Connection to the fuse terminal will depend on what type of fuse your vehicle uses. If your vehicle uses the barrel type fuse, use adapter #1. If you have the standard spade type fuses, use adapter #2. Many late model vehicles use a smaller spade type fuse which requires adapter #3 (fig. 15). If you use adapter #1 or #2 you will need to crimp on a 1/4” (14-16GA) female connector supplied in kit. If you use adapter #3 you will need to crimp on 3/16” (14-16GA) female connector supplied in kit.

## NOTE

*The harness comes with blunt cut wire so no cut-off is necessary. Just crimp the wire right to the connector.*



*fig. 15*

## NOTE

*Connect adapter to “HOT” side of the fuse. With the ignition on, the compressor will turn on and fill the system to 10 PSI before shutting off.*

7. Press the off/on button to inflate both air springs and use the small deflate button to adjust the pressure. Inflate to 30 PSI (20 PSI for Air Lift 1000 kits). Check all fittings and inflation valve cores with a solution of 1/5 dish soap to 4/5 water in a spray bottle for leaks.

**IMPORTANT:** If the compressor runs continually or often, then there is a leak. Disconnect the compressor at the fuse box and test for leaks with a soapy water solution.

## CAUTION

**NEVER RUN THE COMPRESSOR LONGER THAN FOUR MINUTES CONTINUOUSLY. ALLOW AT LEAST FIVE MINUTES FOR COOL DOWN BEFORE STARTING THE COMPRESSOR AGAIN.**

# Product Use Information

## Frequently asked questions

**Q. Will installing air springs increase the weight ratings of a vehicle?**

No. Adding air springs will not change the weight ratings (GAWR, GCWR and/or GVWR) of a vehicle. Exceeding the GVWR is dangerous and voids the Air Lift warranty.

**Q. Is it necessary to keep air in the air springs at all time and how much pressure will they need?**

The minimum air pressure should be maintained at all times. The minimum air pressure keeps the air spring in shape, ensuring that it will move throughout its travel without rubbing or wearing on itself.

**Q. Is it necessary to add a compressor system to the air springs?**

No. Air pressure can be adjusted with any type of compressor as long as it can produce sufficient pressure to service the springs. Even a bicycle tire pump can be used, but it's a lot of work.

**Q. How long should air springs last?**

If the air springs are properly installed and maintained they can last indefinitely.

**Q. Will raising the vehicle on a hoist for service work damage the air springs?**

No. The vehicle can be lifted on a hoist for short-term service work such as tire rotation or oil changes. However, if the vehicle will be on the hoist for a prolonged period of time, support the axle with jack stands in order to take the tension off of the air springs.

## Tuning the air pressure

Pressure determination comes down to three things — level vehicle, ride comfort, and stability.

**1. Level vehicle**

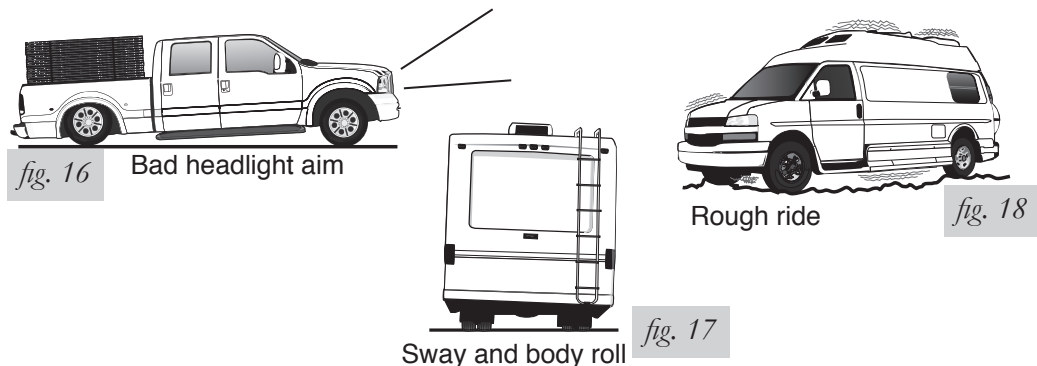
If the vehicle's headlights are shining into the trees or the vehicle is leaning to one side, then it is not level (fig. 16). Raise the air pressure to correct either of these problems and level the vehicle.

**2. Ride comfort**

If the vehicle has a rough and harsh ride it may be due to either too much pressure or not enough (fig. 17). Try different pressures to determine the best ride comfort.

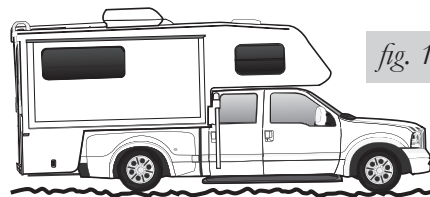
**3. Stability**

Stability translates into safety and should be the priority, meaning the driver may need to sacrifice a perfectly level and comfortable ride. Stability issues include roll control, bounce, dive during braking and sponginess (fig. 18). Tuning out these problems usually requires an increase in pressure.

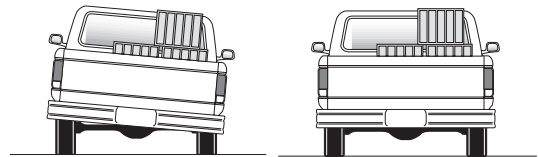


## Guidelines for adding air:

1. Start with the vehicle level or slightly above.
2. When in doubt, always add air.
3. For motorhomes, start with 50-100 PSI in the rear because it can be safely assumed that it is heavily loaded.
4. If the front of the vehicle dives while braking, increase the pressure in the front air bags, if equipped.
5. If it is ever suspected that the air bags have bottomed out, increase the pressure (fig. 19).
6. Adjust the pressure up and down to find the best ride.
7. If the vehicle rocks and rolls, adjust the air pressure to reduce movement.
8. It may be necessary to maintain different pressures on each side of the vehicle. Loads such as water, fuel, and appliances will cause the vehicle to be heavier on one side (fig. 20). As much as a 50 PSI difference is not uncommon.



Bottoming out



Unlevel

Level

fig. 20



# Limited Warranty and Return Policy

## WHAT THIS WARRANTY COVERS

Air Lift Company provides a warranty to the original purchaser of its Load Support Products, for the periods of time listed below, by product line, from the date of original purchase, that the products will be free from defects in workmanship and materials when used on cars and trucks as specified by Air Lift Company and under normal operating conditions, subject to the requirements and exclusions set forth below.

## WHAT THIS WARRANTY DOES NOT COVER

The warranty does not apply to products that have been improperly applied, improperly installed, or which have not been maintained in accordance with installation instructions furnished with all products. This warranty does not apply and is void if damage or failure is caused by: accident, abuse, misuse (including but not limited to racing or off-road activities or commercial use), abnormal use, faulty installation, liquid contact, fire, earthquake or other external cause; operating the product outside Air Lift Company’s instructions, specifications or guidelines; or service, alteration, maintenance or repairs performed by anyone other than Air Lift Company to the product from its purchased condition. This warranty also does not apply to: consumable parts, such as batteries; cosmetic damage, including but not limited to scratches or dents; defects caused by normal wear and tear or otherwise due to the normal aging of the product, or if any serial or identification number has been removed or defaced from the product. Air Lift Company reserves the right to change the design of any product without assuming any obligation to modify any product previously manufactured.

## LIMITATION OF LIABILITY

To the extent permitted by law, this warranty and the remedies set forth herein are exclusive and in lieu of all other warranties, remedies and conditions, whether oral, written, statutory, express or implied. AIR LIFT COMPANY DISCLAIMS ALL STATUTORY AND IMPLIED WARRANTIES, INCLUDING WITHOUT LIMITATION, WARRANTIES OF MERCHANTABILITY AND FITNESS FOR A PARTICULAR PURPOSE AND WARRANTIES AGAINST HIDDEN OR LATENT DEFECTS TO THE EXTENT PERMITTED BY LAW. To the extent such warranties cannot be disclaimed, such implied warranties shall apply only for the warranty period specified above. Please note that some states do not allow limitation on how long an implied warranty (or condition) lasts. So the above limitation may not apply to you.

Except as provided in this warranty and to the extent permitted by law, Air Lift Company shall not be liable for any direct, special, incidental or consequential damages resulting from any breach of warranty or condition, or arising in connection with the sale, use or repair of air lift products, or under any other legal theory, including but not limited to loss of use, loss of revenue, loss of actual or anticipated profits, loss of the use of money, loss of business, loss of opportunity, loss of goodwill, and loss of reputation. Air Lift Company’s maximum liability shall not in any case exceed the purchase price paid by you for the Air Lift product. Please note that some states do not allow the exclusion or limitation of incidental or consequential damages, so the above limitation or exclusion may not apply to you.

## HOW TO GET SERVICE

If a defect in workmanship or materials causes your Air Lift product to become inoperable within the warranty period, before returning any defective product, call Air Lift Company at (800) 248-0892 in the U.S. and Canada (elsewhere, (517) 322-2144) to obtain a Returned Materials Authorization (RMA) number. The consumer shall be responsible for removing (labor charges) the defective product from the vehicle and returning it, shipping costs prepaid, to Air Lift Company for verification. Returns to Air Lift Company must be postage prepaid and sent to: Air Lift Company • 2727 Snow Road • Lansing, MI • 48917. You must prove to the satisfaction of Air Lift Company the date of original purchase of your Air Lift product. You must also enclose the RMA number and a return address. A minimum \$10 shipping and handling charge will apply to all warranty claims. You must also pack the product to minimize the risk of it being damaged in transit. If we receive a product in damaged condition as the result of shipping, we will notify you and you must seek a claim with the shipper.

## WHAT AIR LIFT COMPANY WILL DO

If you submit a valid claim to Air Lift Company during the warranty period, Air Lift Company will, at its option, repair your Air Lift product or furnish you with a new or rebuilt product. Air Lift Company will not reimburse you for repairs or replacement parts provided by other parties. Your repaired or replacement Air Lift product will be returned to you (subject to payment of the required warranty claim shipping and handling charge) and it will be covered under the warranty for the balance of the warranty period, if any. When a product or part is replaced, any replacement item becomes your property and the replaced item becomes property of Air Lift Company. You are responsible for installation/reinstallation (labor charges) of the product.

## HOW THE LAW RELATES TO THIS WARRANTY

This warranty gives you specific legal rights and you may also have other rights which vary from state to state. By this warranty, Air Lift Company does not limit or exclude your rights except as allowed by law. To fully understand your rights, you should consult the laws of your state.

## SPECIFIC LOAD SUPPORT WARRANTY PERIODS BY PRODUCT LINE

LoadLifter 5000™ Ultimate.....	Lifetime Limited	WirelessAIR™.....	2 Year Limited
LoadLifter 5000™.....	Lifetime Limited	WirelessONE™.....	2 Year Limited
RideControl™.....	Lifetime Limited	LoadController™ Single and Dual.....	2 Year Limited
Air Lift 1000™.....	Lifetime Limited	LoadController™ I and II.....	2 Year Limited
AirCell™.....	Lifetime Limited	SmartAir™ II.....	2 Year Limited
SlamAir™.....	Lifetime Limited	Other Accessories.....	2 Year Limited



## Replacement Information

If you need replacement parts, contact the local dealer or call Air Lift customer service at (800) 248-0892. Most parts are immediately available and can be shipped the same day.

**Contact Air Lift Company customer service at (800) 248-0892 first if:**

- Parts are missing from the kit.
- Need technical assistance on installation or operation.
- Broken or defective parts in the kit.
- Wrong parts in the kit.
- Have a warranty claim or question.

**Contact the retailer where the kit was purchased:**

- If it is necessary to return or exchange the kit for any reason.
- If there is a problem with shipping if shipped from the retailer.
- If there is a problem with the price.

## Contact Information

If you have any questions, comments or need technical assistance contact our customer service department by calling (800) 248-0892, Monday through Friday. For calls from outside the USA or Canada, our local number is (517) 322-2144.

For inquiries by mail, our address is PO Box 80167, Lansing, MI 48908-0167. Our shipping address for returns is 2727 Snow Road, Lansing, MI 48917.

You may also contact us anytime by e-mail at [sales@airliftcompany.com](mailto:sales@airliftcompany.com) or on the web at [www.airliftcompany.com](http://www.airliftcompany.com).

# Notes



## Need Help?

Contact our customer service department by calling (800) 248-0892, Monday through Friday. For calls from outside the USA or Canada, our local number is (517) 322-2144.

**Register your warranty online at  
[www.airliftcompany.com/warranty](http://www.airliftcompany.com/warranty)**



*Thank you for purchasing Air Lift products — the professional installer's choice!*

Air Lift Company • 2727 Snow Road • Lansing, MI 48917 or PO Box 80167 • Lansing, MI 48908-0167  
Toll Free (800) 248-0892 • Local (517) 322-2144 • Fax (517) 322-0240 • [www.airliftcompany.com](http://www.airliftcompany.com)

Printed in  
the USA