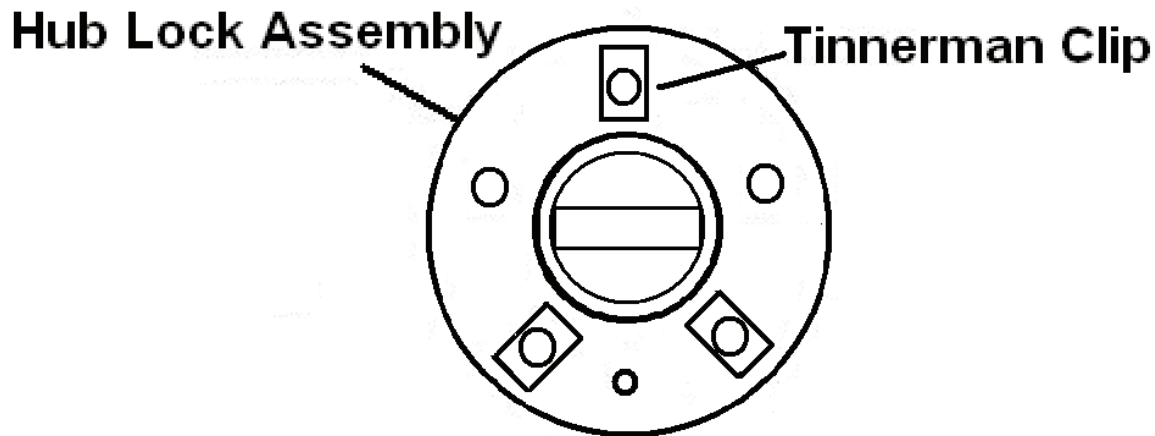
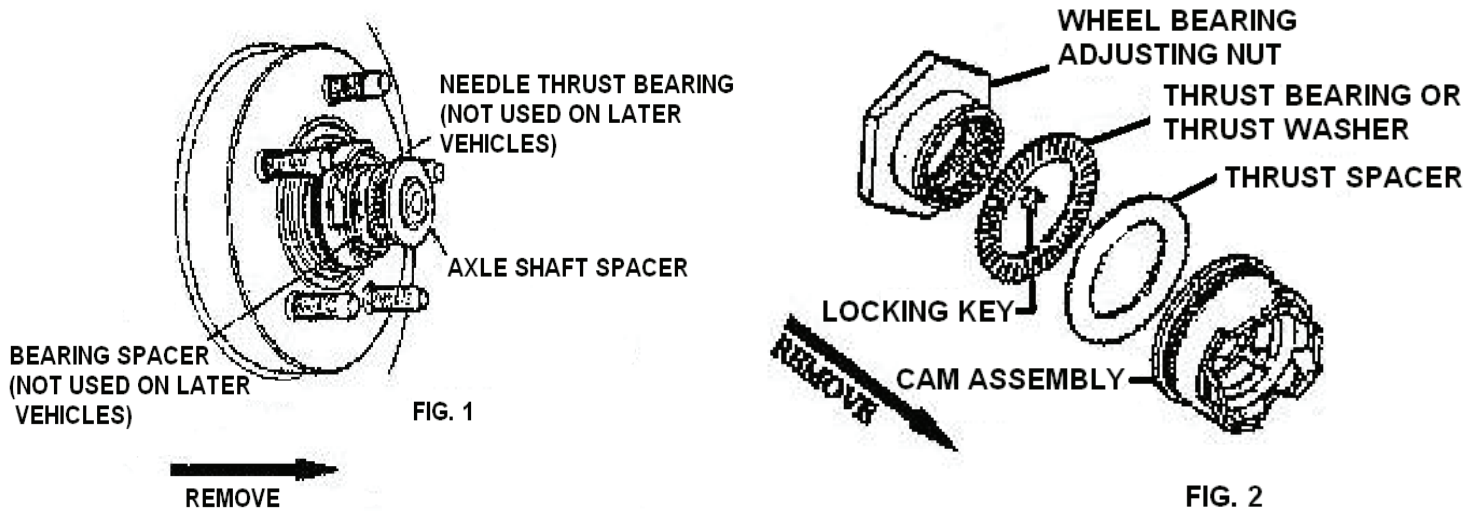


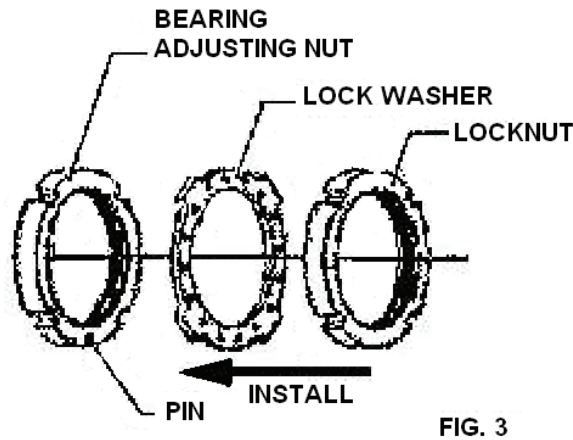
MANUAL LOCKOUT HUB INSTALLATION INSTRUCTIONS



- 1) Remove the tinnerman Clips that are securing the hublock assembly to the wheel studs. Save these Tinnerman Clips as they will be needed later. Remove the Hublock assembly from the hub and rotor assembly.
- 2) IF YOU ARE REPLACING MANUAL HUBLOCKS ONLY.
 - a) Install the Hublock assembly up against the hub and rotor assembly.
 - b) Attach the Tinnerman Clips on the Wheel Studs and press them firmly against the Hublock.
 - c) Install the wheel and tire and torque the lug nuts to 85-135 ft-lbs.
- 3) IF YOU ARE REPLACING AUTOMATIC HUBLOCKS.
 - a) Remove the Axle Shaft Ring, Axle Shaft Spacer (splined), Needle Thrust Bearing (on earlier vehicles), and Bearing Spacer from the Axle (Fig. 1).
 - b) Remove the Cam assembly, Thrust Spacer, and Thrust Bearing or Thrust Washers from the Wheel Bearing Adjusting Nut (Fig. 2).
 - c) Remove the Locking Key (single or double hump) from the Wheel Bearing Adjusting Nut. Make sure the Adjusting Nut is not binding the Locking Key or removal of the Locking Key will be most difficult. A thin sharp tool will help remove the Locking Key. After the Locking key has been removed, remove the Adjusting Nut from the Wheel Spindle (Fig. 2). On some early vehicles the Locking key is part of the Camming assembly. On these vehicles the Adjusting Nut must be removed after the Camming assembly has been removed.



- d) Install the Bearing Adjusting Nut (with pin) and torque to 35 ft-lbs. Back of Adjusting Nut 90 degrees. and re-torque to 16 in-lbs. Install the Lock Washer against the Adjusting Nut. Be sure one of the holes in the lock Washer lines up with the pin on the bearing Adjusting Nut. Install the outer Lock Nut and torque to 150 ft-lbs (fig. 3).



- e) Replace the items previously removed at Step 3a, be sure the Retaining Ring is seated into its groove.
- f) Install the Hublock assembly against the hub and rotor assembly.
- g) Attach the Tinnerman Clips on the Wheel Studs and press them firmly against the hublock assembly.
- h) Install the wheel and tire and torque the lug nuts to 85-135 ft-lbs.

For Technical Assistance Contact:
 Phone: 1-800-449-6649
 OMIX-ADA Tech Support
 Email: techsupport@omix-ada.com
 Web: www.Omix-Ada.com