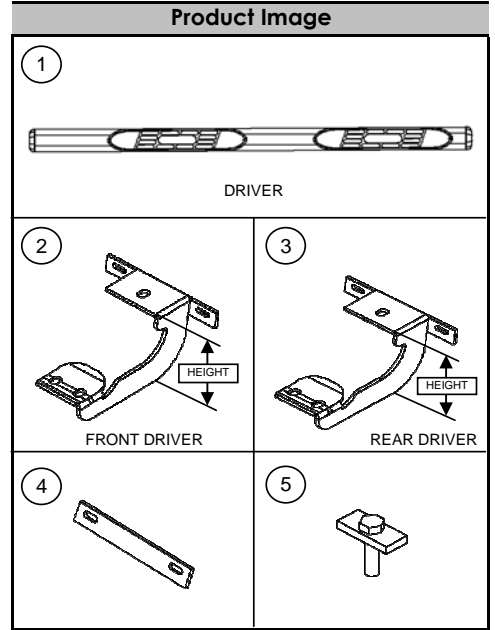


Parts List				
Item	Qty.	Code	Description	Max. Torque
1	1 Set	372448AA	Side bar	-
1 Kit BRK-37244 Hardware brackets kit				
2	1 Set	372440BA	Front bracket (driver & passenger)	-
3	1 Set	372440CA	Rear bracket (driver & passenger)	-
4	4 Piece	372441AA	Complementary brackets	-
5	4 Piece	370200AA	3/8" Bolt plate	30 Lb.ft
1 Kit KTE-37244 Hardware bolts kit				
6	8 Piece	-	3/8 x 1 1/2" Hex. Head bolt B. Zinc	30 Lb.ft
7	8 Piece	-	3/8" Flat washer B. Zinc	-
8	8 Piece	-	3/8" Lock washer B. Zinc	-
9	8 Piece	-	1/4 x 1 1/4" Hex. Head bolt Zinc plate	9 Lb.ft
10	16 Piece	-	1/4" Flat washer Zinc plate	-
11	16 Piece	-	1/4" Lock washer Zinc plate	-
12	8 Piece	-	1/4" Hex nut Zinc plate	9 Lb.ft
13	4 Piece	-	3/8" Flat washer Zinc plate	-
14	4 Piece	-	3/8" Lock washer Zinc plate	-
15	4 Piece	-	3/8" Hex nut Zinc plate	30 Lb.ft

Required Tools (Not included)	
Qty.	Description
1	9/16" Socket
1	3/8" Socket & Wrench
1	Flat screw driver
1	Ratchet
1	Extension



WARNING:
THE FRONT BRACKET IS HEIGHTER THAN THE REAR BRACKET.

Instructions

- 1.- Before beginning the installation, please read all directions carefully and verify that all necessary hardware is accounted for. If any parts are missing, stop the installation and contact your distributor immediately.
- 2.- To maintain and care this product keep it clean and do not use abrasive cleaners or polish waxes. We recommend to use only non-abrasive automotive wax such as pure carnauba to avoid scratches and rust.
- 3.- The approximate installation time is 45 min.
- 4.- Locate and remove in the rocker panel the holes covered with plastic caps, use a flat screwdriver to remove them. Identify the locations of the holes referred in **PICTURE 1**.

PICTURE 1.



Under this part in the body install the front bracket, driver side shown.

Under this part in the body install the rear bracket, driver side shown.

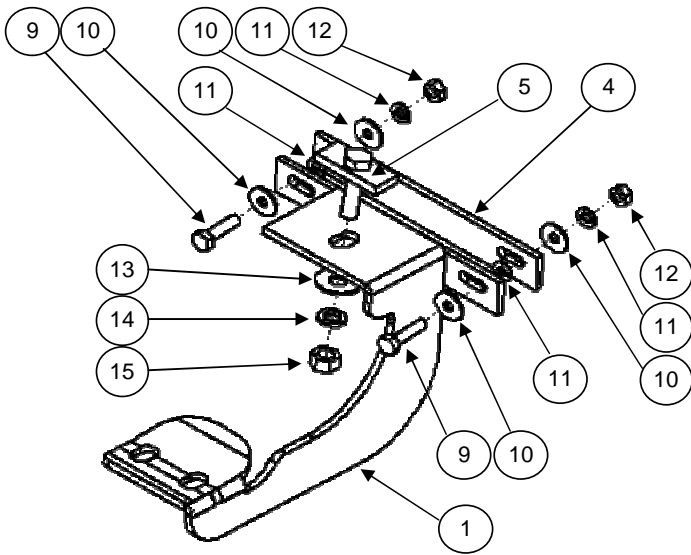
5.- To install the front mounting bracket, put a 3/8" bolt plate into the front exposed hole with the threads of the bolt extending out through the hole. Place front bracket and secure using 3/8" flat and lock washers and 3/8" hex nut. Leave loose. **SEE ILLUSTRATION 1.**

6.- To attach the front bracket to the body pinch mold put 1/4 x 1 1/4" hex head bolt with a 1/4" flat washer, insert it trough the existing obrounds, place a 1/4" lock washer in each bolt, then place complementary bracket and secure all together with 1/4" flat and lock washers and 1/4" hex nuts. Leave loose. **WARNING:** It's important to place the 1/4" lock washers between the pinch mold and the complementary bracket. **SEE ILLUSTRATION 2.**

7.- Repeat steps 5, 6 to install rear mounting bracket.

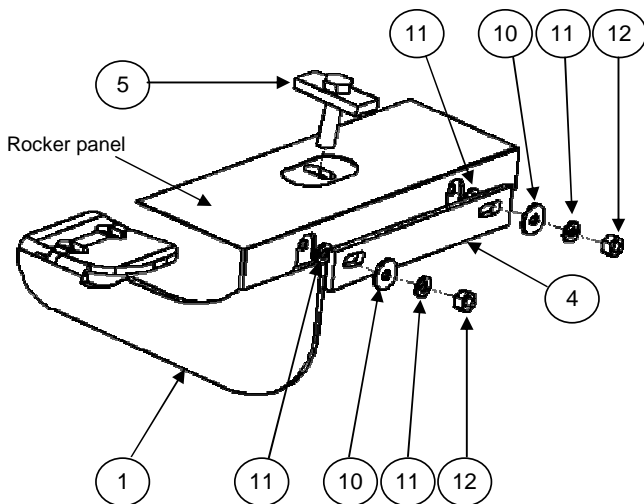
8.- Identify the driver's side bar and place it on the brackets. Attach to each bracket with 3/8 x 1 1/2" hex head bolt black zinc, 3/8" flat and lock washers black zinc. Leave loose. **SEE ILLUSTRATION 3.**

ILLUSTRATION 1.



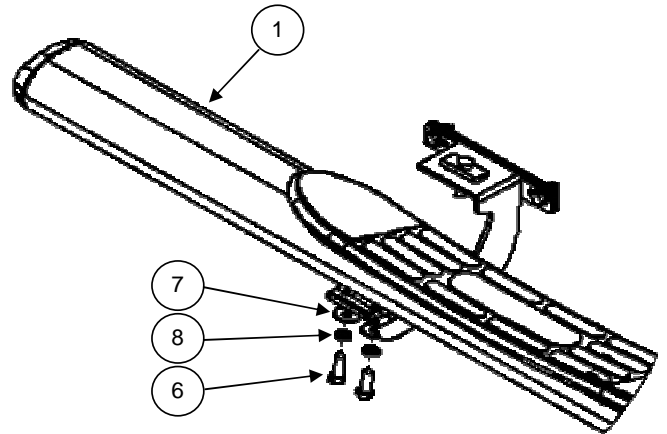
Use 9/16" & 3/8" Socket, ratchet and extension.
Use 3/8" wrench.

ILLUSTRATION 2.



Use 9/16" & 3/8" Socket, ratchet and extension.
Use 3/8" wrench.

ILLUSTRATION 3.



Use 9/16" socket, ratchet and extension.

9.- Align the side bar and tighten all nuts and bolts.
Repeat in opposite side.

10.- Remember to check and retighten all hardware periodically.

PICTURE 2.



SIDE BAR INSTALLED, DRIVER SIDE.