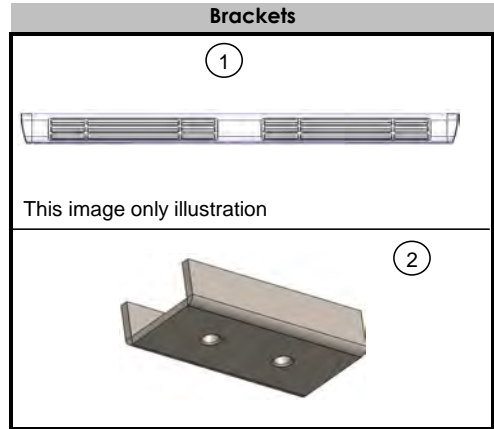


Parts List				
Item	Qty.	Code	Description	Max. Torque
1	1 Set		Running Board	
2	6 Pc	396801AA	U Bracket	

Required Tools (Not included)	
Qty.	Description
1	1/2" Wrench



**Instructions**

1. Before beginning the installation, please read all directions carefully and verify that all necessary hardware is accounted for. If any parts are missing, stop the installation and contact your distributor immediately.
2. To maintain and care this product keep it clean and do not use abrasive cleaners or polish waxes. We recommend to use only non-abrasive automotive wax such as pure carnauba to avoid scratches and rust.
3. Once the main brackets are installed (**sold separately**) the installation time is **15 Mins.**
4. Place the U brackets inside the Running Board as seen on image 1. Move them to align to the main brackets.
5. Place the flat and lock washers with the square head bolts as seen image 1. This hardware kit is included on the main brackets that are (**sold separately**)
6. Align the Running board and tighten the bolts using a 1/2" wrench.
7. For regular cabs only two U brackets are needed per side.

