

INSTALLATION INSTRUCTIONS

50074-1 Front Modular Euroguard

50074-5 Front One Piece Euroguard

1999-2002 Chevy Silverado 1500 & 2500, 2000-2002 Tahoe 1500-2500/Suburban 1500-2500

Parts List:	(1) Hardware kit including:	Modular Euroguard includes extra:
QTY	T01 (10) 1/2 x 1 1/2" Hex. Head bolt	T10 (1) Brushguard set
P01 (1) Front Guard	T02 (20) 1/2" Flat washers	T11 (2) Flat rubber gasket
P02 (2) Mounting brackets 1500 Series (Driver and passenger side)	T03 (10) 1/2" Lock nuts	
P03 (2) Mounting brackets 2500 Series (Driver and passenger side)	T04 (4) 1/2" Lock washers	
	T05 (2) M12 x 140 mm Hex. head bolts	
	T06 (2) M12 x 40 mm Hex. head bolts	
	T07 (4) M12 Hex nuts	

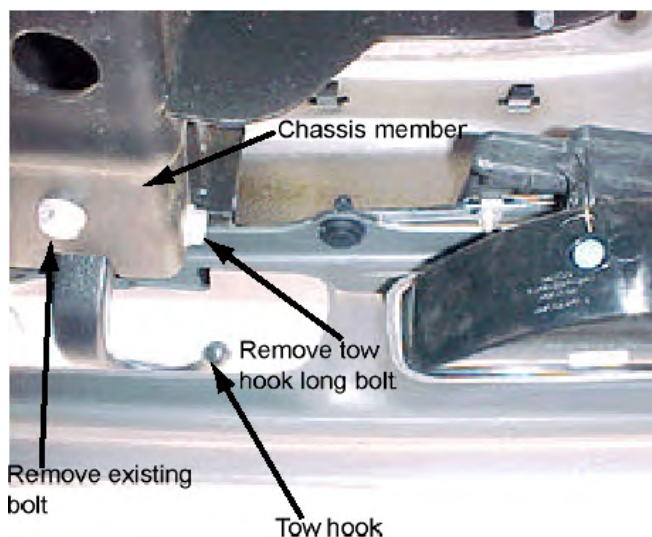
Tools required:	Modular Euroguard requires extra:
3/4" Socket 18 mm socket Ratchet	7/32" Allen wrench
3/4" Wrench 19mm socket	

Instructions for 1500 Series: **Aproximated installation time: 24 min.**

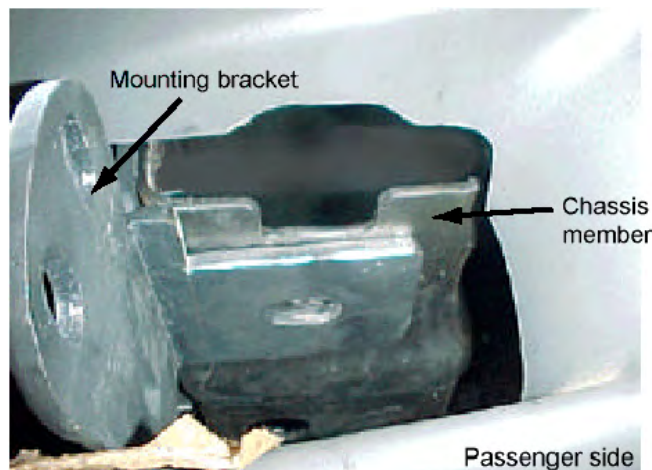
1. Read and understand instructions completely before beginning installation.
2. Remove the tow hooks to install the mounting brackets. Picture 1.
3. Place the mounting brackets as shown in Picture 2. **Note:** In order to use the tow hooks with the front guard, you may be able to swap the towhook from the passenger side to the driver side. If the tow hook do not align with the bottom hole on the chassis member, it is neccesari to cut longer side of the hook to align it with the bottom hole on the chassis member. It will also be necessary to cut a small section of the bumper cover where the tip of the tow hook touches the bumper cover.
4. Bolt the mounting bracket to the frame, as shown in Picture 3. Replace the existing bolts with the M12 x 40 mm bolts and a 1/2" lock and flat washer. Also replace the long existing tow hook bolts that traverse the chassis member with the M12 x 140 mm bolt, 1/2" flat and lock washers and M12 hex nut. Leave loose. **Note:** If you prefer not to install the tow hooks, use the same M12 bolts and corresponding washers and nuts on the bottom hole and the upper side hole.
5. Place the front guard up to mounting brackets and align slots. Bolt together using 1/2" hardware. Leave loose. Picture 4. **Note:** Before tightening the fasteners make sure the front guard does not interfere with opening and closing of the hood.
6. Make any final adjustments to the alignment of the front guard and tighten all bolts.
7. You may need to periodically re-tighten the bolts. **Note:** The max. weight of the auxiliary lights must be less than 1Kg/Pz.

Assembly Diagram:

Picture 1.



Picture 2.



Cleaning and care instructions:

Protect the finish with a non-abrasive automotive wax, (e.g. Pure Carnauba) on a regular basis. The use of any soap, polish, or wax that contains an abrasive is detrimental to the finish, as the compounds scratch the finish and cause corrosion.

Diseño:

Calidad:

INSTALLATION INSTRUCTIONS

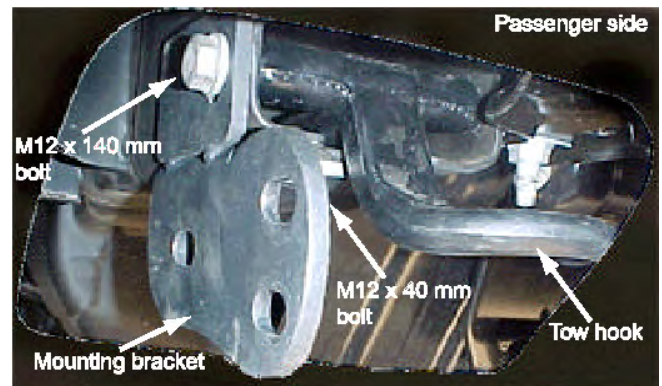
50074-1 Front Modular Euroguard

50074-5 Front One Piece Euroguard

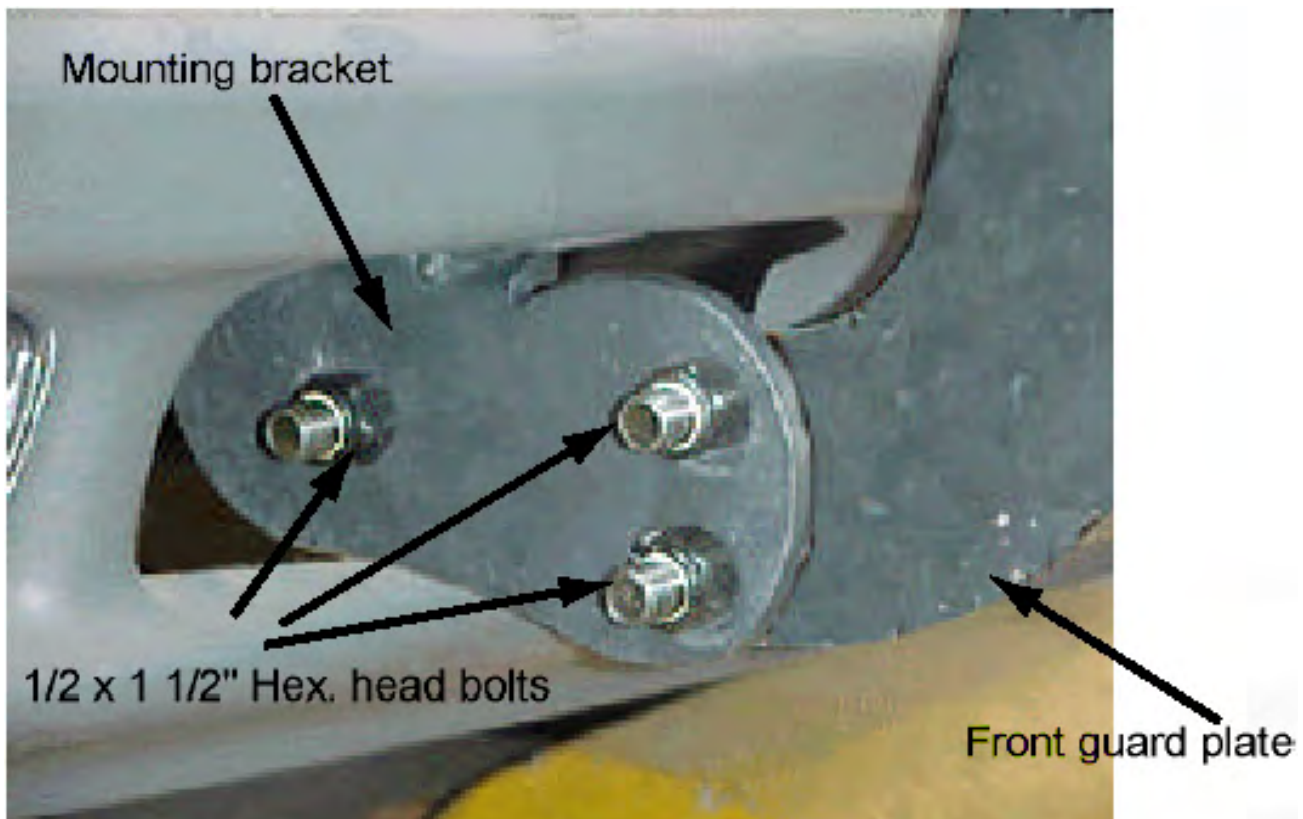
1999-2002 Chevy Silverado 1500 & 2500, 2000-2002 Tahoe 1500-2500/Suburban1500-2500



Picture 3.



Picture 4.



Cleaning and care instructions:

Diseño:

Calidad:

Protect the finish with a non-abrasive automotive wax, (e.g. Pure Carnauba) on a regular basis. The use of any soap, polish, or wax that contains an abrasive is detrimental to the finish, as the compounds scratch the finish and cause corrosion.

INSTALLATION INSTRUCTIONS

50074-1 Front Modular Euroguard

50074-5 Front One Piece Euroguard

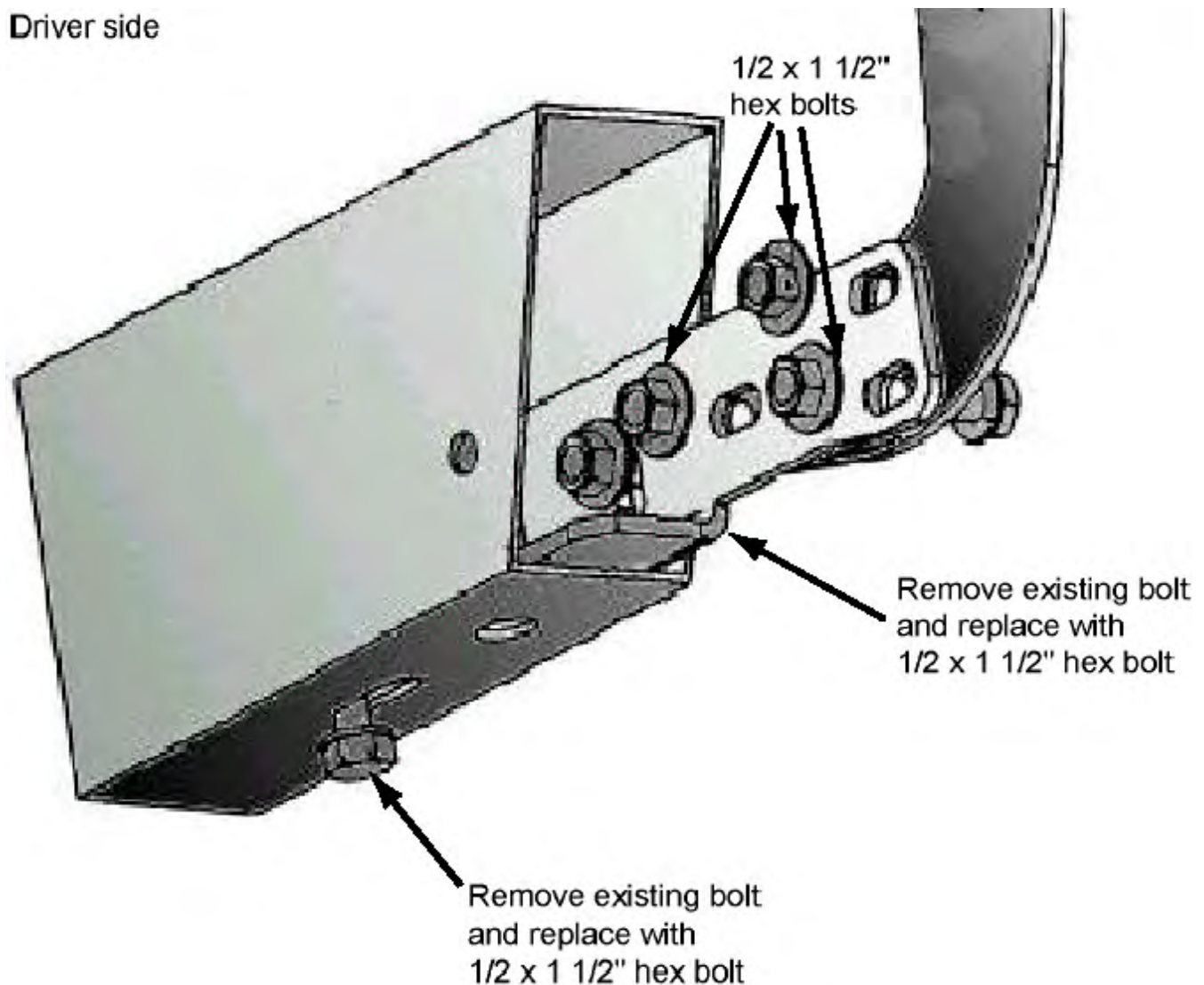
1999-2002 Chevy Silverado 1500 & 2500, 2000-2002 Tahoe 1500-2500/Suburban1500-2500

Instructions for 2500 Series:

Aproximated installation time: 24 min.

1. Read and understand instructions completely before beginning installation.
2. Remove the tow hooks to install the mounting brackets.
3. Place the mounting brackets as shown in Illustration below. **Note:** In order to use the tow hooks with the front guard, you may be able to swap the towhook from the passenger side to the driver side.
4. Bolt the mounting bracket to the frame, as shown in Illustration. Replace the bottom and outside existing bolts with the 1/2 x 1 1/2" hex. bolts and corresponding nuts and washers. Leave loose.
5. Place the front guard up to mounting brackets and align slots. Bolt together using 1/2" hardware. Leave loose. **Note:** Before tightening the fasteners make sure the front guard does not interfere with opening and closing of the hood.
6. Make any final adjustments to the alignment of the front guard and tighten all bolts.
7. You may need to periodically re-tighten the bolts. **Note:** The max. weight of the auxiliary lights must be less than 1Kg/Pz.

Assembly Diagram:



Cleaning and care instructions:

Diseño:

Calidad:

Protect the finish with a non-abrasive automotive wax, (e.g. Pure Carnauba) on a regular basis. The use of any soap, polish, or wax that contains an abrasive is detrimental to the finish, as the compounds scratch the finish and cause corrosion.

LIMITED WARRANTY

BIG COUNTRY products offer a limited 5-Year warranty against defects in material, workmanship and finish under normal use. Warranty does not cover shipping damage, product misuse, improper installation, road hazards, impairments from accidents, product modifications or product neglect. This warranty is limited to the repair or replacement of **BIG COUNTRY** products. Warranty does not cover cost of installation, removal, labor or shipping.

This limited warranty allows for 100% replacement of any defective product for the first three years from the original date of purchase. The following two years allows for 50% of replacement value of product covered under the warranty. Original purchaser must return defective merchandise, along with the purchase receipt, to the original place of purchase.

Lifetime
warranty

**FINISH WARRANTY**

Lifetime limited warranty on Stainless and Chromed Stainless Steel products.

Limited 5 year warranty on powder coat products.

Limited 5 year warranty on chromed mild steel selected products. This warranty does not cover on exposed welds.

Finish warranty covers peeling, flaking or cracking. You must protect the finish with **non abrasive** automotive wax on a regular basis. The use of any compound which contains abrasives becomes a self defeating exercise as the compound scratch the finish and opens it to corrosion.

DISCLAIMER FOR BIG COUNTRY PRODUCTS.

BIG COUNTRY products are sold as decorative accessories and should not be upon as protection for vehicle in the event of a collision or rollover. Installation of **BIG COUNTRY** products may alter the original characteristics programmed by your automobile manufacture, **BIG COUNTRY** assumes no liability as a result of altered characteristics set by the manufacturer.

GARANTIA LIMITADA.

Los productos **BIG COUNTRY** ofrecen garantía de 5 años contra defectos en el material, mano de obra y acabado, en uso normal.

La garantía no cubre daños de envío, mal uso del producto, instalación incorrecta, daños causados por accidentes o caminos accidentados, modificaciones al producto o negligencia en el uso del producto.

La garantía es limitada para reparar o reemplazar los productos **BIG COUNTRY**, la garantía no cubre los gastos de instalación, retiro o envío del producto.

La garantía ampara el remplazo al 100% de cualquier producto defectuoso durante los primeros 3 años, a partir de la fecha original de compra. La garantía cubre los siguientes 2 años a un 50% del valor del producto. El comprador debera regresar la mercancía defectuosa anexa la factura al lugar original de la compra.

GARANTIA EN ACABADO.

BIG COUNTRY ofrece garantía de por vida en productos de acero inoxidable y acero inoxidable cromado.

BIG COUNTRY ofrece garantía por 5 años en productos de pintura.

BIG COUNTRY ofrece garantía por 5 años en productos de acero al carbón cromados seleccionados. Esta garantía no cubre oxidación en soldaduras expuestas.

Esta garantía cubre desprendimiento, ampollas y pelado del recubrimiento. Se recomienda el uso de cera **no abrasiva** para proteger el acabado de su producto. El uso de algún compuesto que contenga abrasivos o solventes puede propiciar el deterioro del acabado.

GARANTIA
de por vida

**DESLINDE DE RESPONSABILIDAD EN LOS PRODUCTOS BIG COUNTRY.**

Los productos **BIG COUNTRY** son diseñados como accesorios decorativos y no deben ser usados como protección para el vehículo en caso de colisión o volcadura. La instalación de los productos **BIG COUNTRY** podrían alterar las características originales de su vehículo, **BIG COUNTRY** no asume alguna responsabilidad como resultado de alterar las características de diseño del fabricante.