



# 11234 INSTALLATION INSTRUCTIONS



Safety glasses should be worn at all times while installing this product.

YEARS: 2012-PRESENT

MAKE: VOLKSWAGEN

MODEL: PASSAT

STYLE: SEDAN

**WARNING: NEVER EXCEED YOUR VEHICLE MANUFACTURER'S RECOMMENDED TOWING CAPACITY**  
For more information log onto [www.curtmfg.com](http://www.curtmfg.com) & for helpful towing tips log onto [www.hitchinfo.com](http://www.hitchinfo.com)

**WEIGHT CARRYING:**  
TRAILER WEIGHT: 2,000 LBS.  
TONGUE WEIGHT: 200 LBS.

**WARNING:**  
WE RECOMMEND THE USE OF 18050 STABILIZING STRAPS FOR ALL NON-TRAILER (WHEEL-LESS) LOADS. PLEASE SEE THE CURT CATALOG OR VISIT US ONLINE AT [WWW.CURTMFG.COM](http://WWW.CURTMFG.COM) FOR FURTHER INFORMATION.

**PRO INSTALL TIME: 30 MIN.**  
**NOVICE INSTALL TIME: 60 MIN.**  
*IF YOU ARE HESITANT TO UNDERTAKE THIS TASK ON YOUR OWN, CONTACT AN AUTHORIZED CURT INSTALLER FOR ADDITIONAL ASSISTANCE.*



### INSTALLATION REQUIRES:

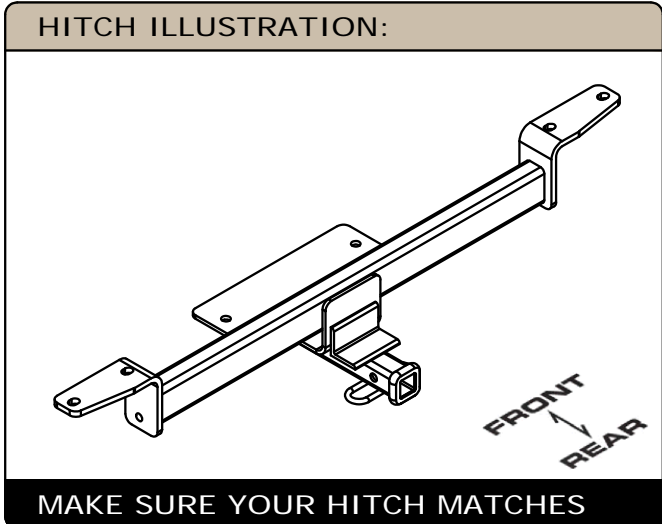
 RATCHET	 TORQUE WRENCH	 3/4" 10mm SOCKET
 9" SOCKET EXTENSION	 T-15 TORXBIT T-25 SOCKET	 ROTARY TOOL
 TAPE MEASURE	 MASKING TAPE	 100% SILICONE SEALANT SILICONE CAULK
 CUT-OFF WHEEL	 SAFETY GLASSES	

**INSTALLATION TIPS:**

- BEFORE YOU BEGIN INSTALLATION, READ ALL INSTRUCTIONS THOROUGHLY.
- TO EASE INSTALLATION, 2 PEOPLE MAY BE REQUIRED.
- USING PROPER TOOLS WILL GREATLY IMPROVE THE QUALITY OF THE INSTALL AND REDUCE THE TIME REQUIRED.
- NEED HELP OR HAVE SOME QUESTIONS? CALL TECHNICAL SUPPORT AT 800.798.0813

### LEVEL OF DIFFICULTY: MODERATE

EASY	MODERATE	CHALLENGING
	- NO DRILLING REQUIRED	
	- FASCIA TRIMMING REQUIRED	
	- REMOVE DRAIN PLUGS	
	- TEMPORARILY REMOVE SPARE TIRE	

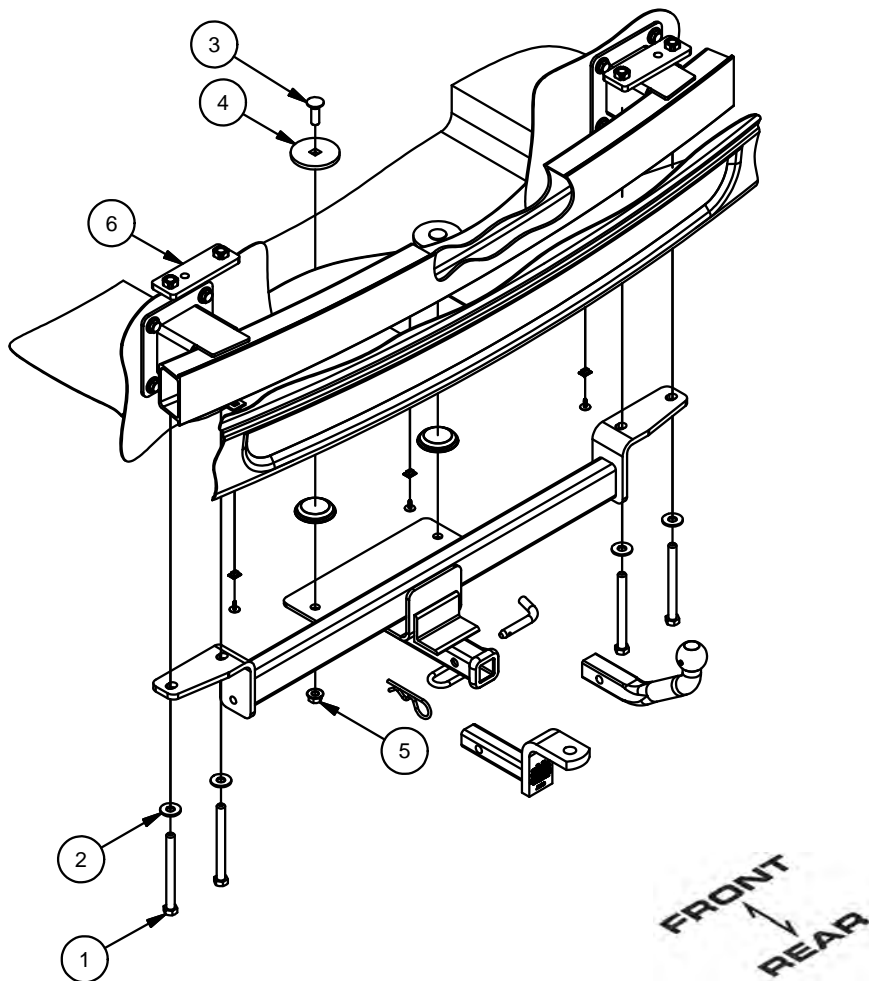


SCAN FOR MORE INFO

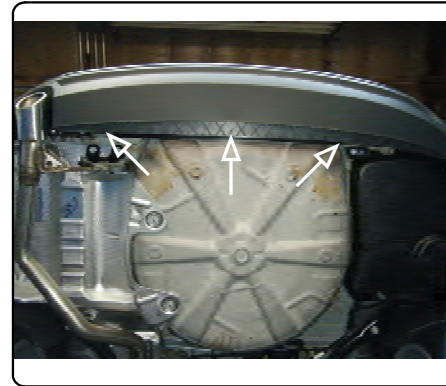
**PERIODICALLY CHECK THIS RECEIVER HITCH TO ENSURE ALL FASTENERS ARE TIGHT AND ALL STRUCTURAL COMPONENTS ARE SOUND**  
CURT Manufacturing LLC. warrants this product to be free of defects in material and/or workmanship at the time of retail purchase by the original purchaser. If the product is found to be defective, CURT Manufacturing LLC. may repair or replace the product at their option, when the product is returned, prepaid, with proof of purchase. Alteration to, misuse of, or improper installation of this product voids the warranty. CURT Manufacturing LLC.'s liability is limited to repair or replacement of products found to be defective, and specifically excludes liability for incidental or consequential loss or damage.  
**For more information log onto [www.curtmfg.com](http://www.curtmfg.com), & for helpful towing tips log onto [www.hitchinfo.com](http://www.hitchinfo.com)**  
This product complies with safety specifications and requirements for connecting devices and towing systems of the state of New York, V.E.S.C.Regulation V-5 and SAE J684.

## INSTALLATION WALKTHROUGH:

Parts List			
ITEM	QTY	PART NUMBER	DESCRIPTION
1	4	1/2-13 x 5 1/2	HEX BOLT
2	4	1/2"	CONICAL TOOTHED WASHER
3	2	1/2-13 x 1 1/2	CARRIAGE BOLT
4	2	CM-SP62	.250" SPACER PLATE
5	2	HFN 1213	HEX FLANGE NUT
6	2	11234-NPWA	NUT PLATE WELDMENT



1. Remove the (3) fascia screws and clips holding the rear plastic fascia to the bottom of the trunk pan. Retain (2) screws and clips for reinstallation in Step (9) and return (1) screw and clip to owner. If present remove underbody panel by removing (5) screws and (5) plastic nuts. Save for reinstallation.



2. Remove the jack and spare tire from inside the trunk.

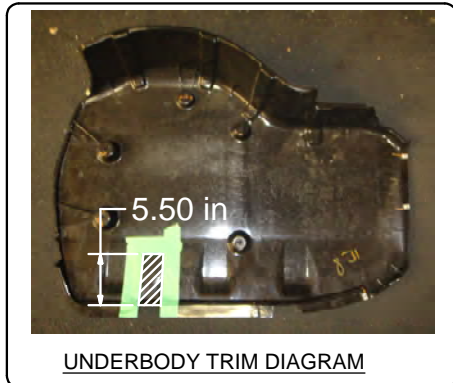
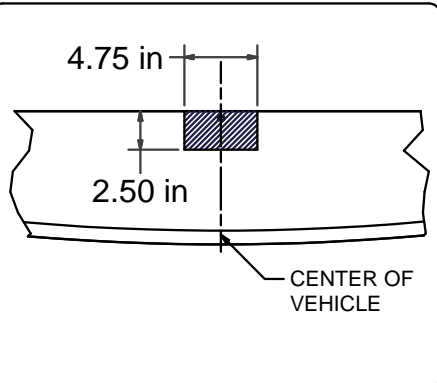


## INSTALLATION WALKTHROUGH:

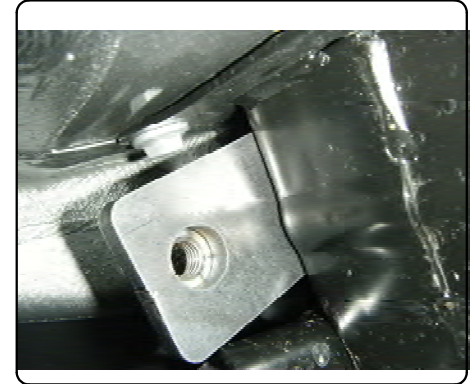
3. Remove the (2) rearmost rubber drain plugs from the bottom of the trunk pan and return to owner.



4. Mark and trim rear fascia. **Note:** Dimensions are approximate, confirm fit prior to trimming. If present mark and trim the underbody panel using the Underbody Trim Diagram below for reference.



5. Unclip rear fascia on the passenger side. Gently flex the fascia and place nut plates on top of the bumper beam supports.



6. Seal around the back two holes on hitch with silicone caulk. Raise hitch into position, aligning the slots in the hitch with the holes in the nut plates.



## INSTALLATION WALKTHROUGH:

7. Loosely secure the hitch into position using 1/2-13 x 5" hex bolts and 1/2" conical toothed washers. Insert a CM-SP62 spacer and 1/2-13 x 1 1/2" carriage bolt into each of the drain holes and secure from below with 1/2" hex flange nut.



- ↓
8. Torque all 1/2" x 1 1/2" hardware to 110 ft-lbs.  
Torque all 1/2" x 5 1/2" hardware to 75 ft-lbs.
- Return the spare tire to the trunk.



9. Reinstall the (2) outer screws and clips through the bumper fascia and into the trunk pan.  
If present reinstall the underbody panel removed in Step 1.



GROSS LOAD CAPACITY WHEN USED AS A WEIGHT CARRYING HITCH: 2,000 LBS. TRAILER WEIGHT & 200 LBS. TONGUE WEIGHT.

WARNING: ALL NON-TRAILER LOADS APPLIED TO THIS PRODUCT MUST BE SUPPORTED BY 18050 STABILIZING STRAPS.

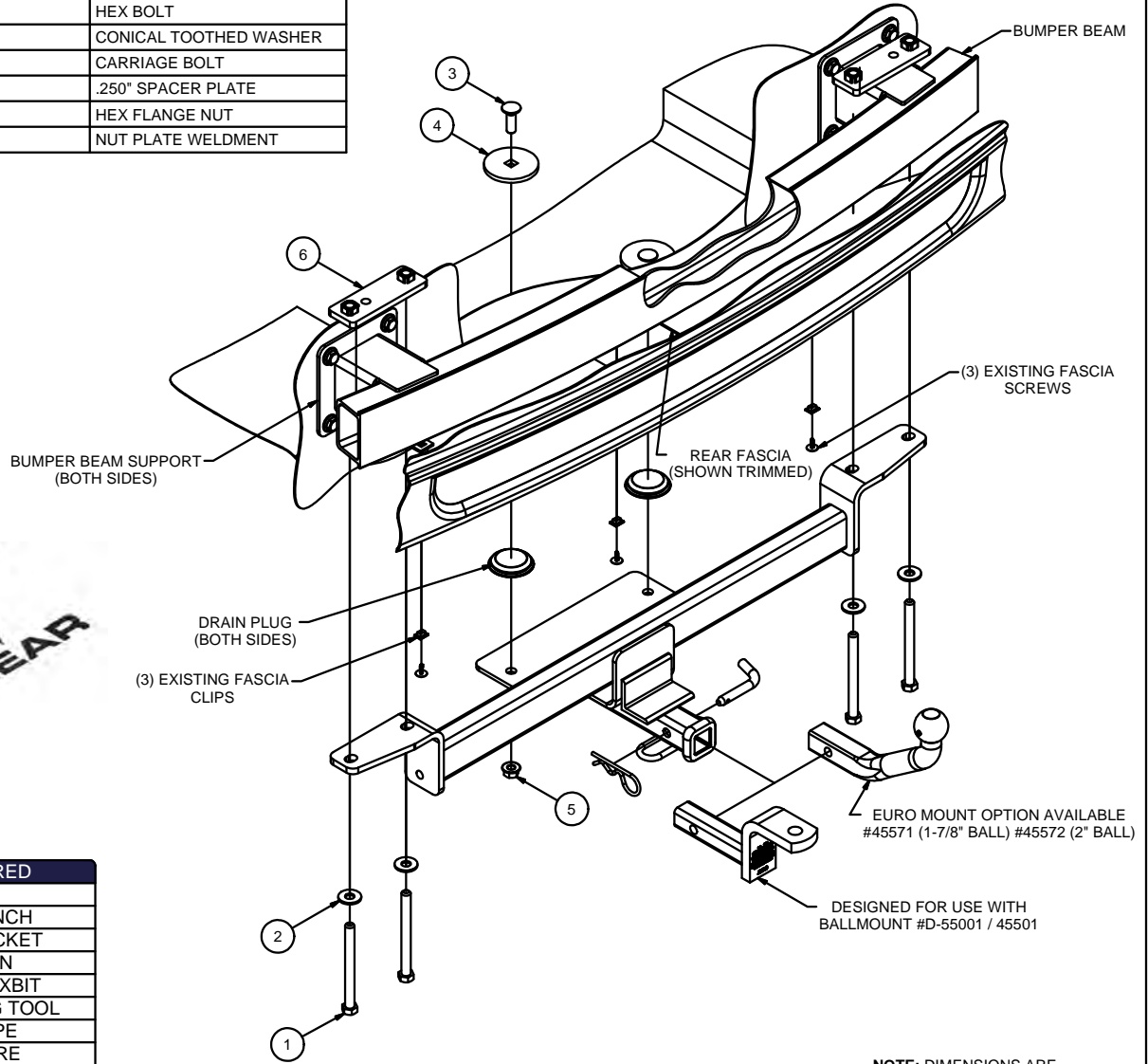
WARNING: \*\* FAILURE TO PROPERLY SUPPORT NON-TRAILER LOADS WILL VOID PRODUCT WARRANTY \*\*

WARNING: \*\*\* DO NOT EXCEED VEHICLE MANUFACTURER'S RECOMMENDED TOWING CAPACITY \*\*\*

FOR MORE INFORMATION LOG ONTO [WWW.CURTMFG.COM](http://WWW.CURTMFG.COM) & FOR HELPFUL TOWING TIPS LOG ONTO [WWW.HITCHINFO.COM](http://WWW.HITCHINFO.COM)  
 HAVING INSTALLATION QUESTIONS? CALL TECHNICAL SUPPORT AT 1-800-798-0813

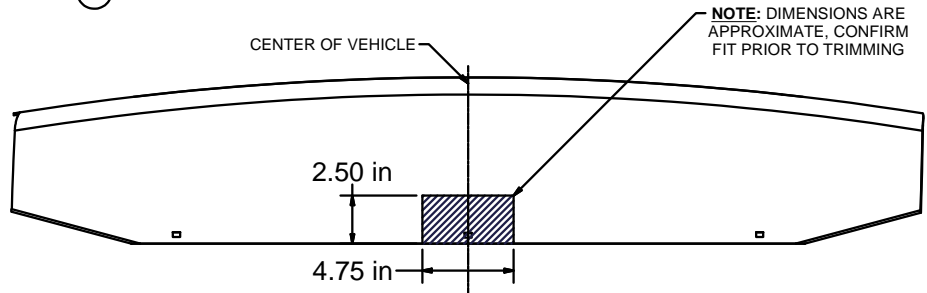


Parts List			
ITEM	QTY	PART NUMBER	DESCRIPTION
1	4	1/2-13 x 5 1/2	HEX BOLT
2	4	1/2"	CONICAL TOOTHED WASHER
3	2	1/2-13 x 1 1/2	CARRIAGE BOLT
4	2	CM-SP62	.250" SPACER PLATE
5	2	HFN 1213	HEX FLANGE NUT
6	2	11234-NPWA	NUT PLATE WELDMENT



FRONT  
 ↓  
 REAR

TOOLS REQUIRED	
RATCHET	
TORQUE WRENCH	
3/4" & 10mm SOCKET	
9" EXTENSION	
T-15 & T-25 TORXBIT	
ROTARY CUTTING TOOL	
MASKING TAPE	
TAPE MEASURE	
SILICONE CAULK	
SAFETY GLASSES	



FASCIA TRIM DIAGRAM

HITCH WEIGHT: 37 LBS.

INSTALL TIME

PROFESSIONAL: 30 MINUTES

NOVICE (DIY): 60 MINUTES

INSTALL NOTES:

- NO DRILLING REQUIRED
- FASCIA TRIMMING REQUIRED
- REMOVE PLUGS
- TEMPORARILY REMOVE SPARE TIRE

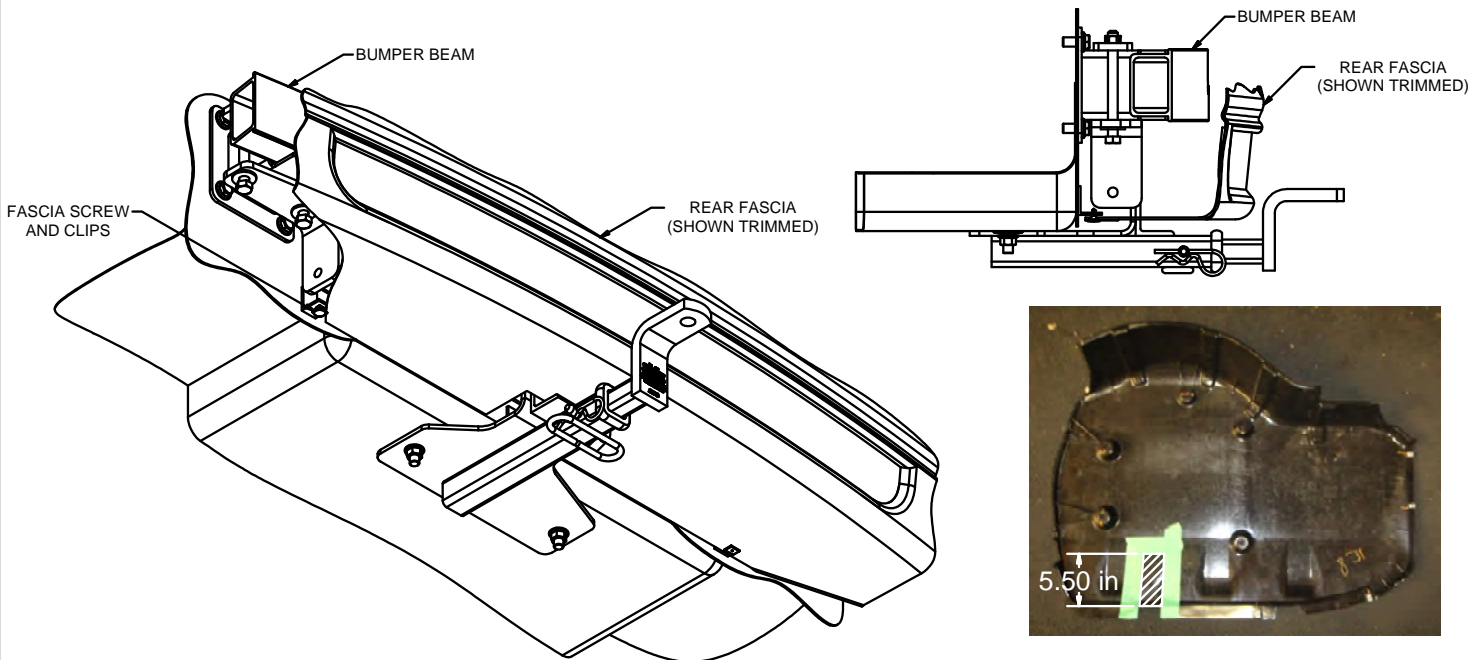
PERIODICALLY CHECK THIS RECEIVER HITCH TO ENSURE THAT ALL FASTENERS ARE TIGHT AND THAT ALL STRUCTURAL COMPONENTS ARE SOUND.



Scan for more information

CURT Manufacturing LLC., warrants this product to be free of defects in material and/or workmanship at the time of retail purchase by the original purchaser. If the product is found to be defective, CURT Manufacturing LLC., may repair or replace the product, at their option, when the product is returned, prepaid, with proof of purchase. Alteration to, misuse of, or improper installation of this product voids the warranty. CURT Manufacturing LLC.'s liability is limited to repair or replacement of products found to be defective, and specifically excludes liability for incidental or consequential loss or damage.

This product complies with safety specifications and requirements for connecting devices and towing systems of the state of New York, V.E.S.C.Regulation V-5 and SAE J684.

HITCH SHOWN IN PROPER POSITIONUNDERBODY TRIM DIAGRAM**INSTALLATION STEPS**

1. Remove the (3) fascia screws and clips holding the rear plastic fascia to the bottom of the trunk pan. Retain (2) screws and clips for reinstallation in Step (10) and return (1) screw and clip to owner. If present remove underbody panel by removing (5) screws and (5) plastic nuts. Save for reinstallation.
2. Remove the spare tire from inside the trunk.
3. Remove the (2) rearmost rubber drain plugs from the bottom of the trunk pan and return to owner.
4. Mark and trim the rear fascia. **Note:** Dimensions are approximate, confirm fit prior to trimming. (See Fascia Trim Diagram)  
If present mark and trim the underbody panel using the Underbody Trim Diagram for reference.
5. Gently flex the rear fascia and place the nut plates on top of the bumper beam supports.
6. Raise the hitch into position, aligning the slots in the hitch with the holes in the nut plates. Loosely secure the hitch into position using 1/2-13 x 5" hex bolts and 1/2" conical toothed washers.
7. Seal the drain holes in the trunk pan with silicone caulk. Insert a CM-SP62 spacer and 1/2-13 x 1 1/2" carriage bolt into each of the drain holes and secure from below with 1/2" hex flange nuts.
8. Torque all 1/2" x 1 1/2" hardware to 110 ft-lbs. Torque all 1/2" x 5 1/2" hardware to 75 ft-lbs.
9. Return the spare tire to the trunk.
10. Reinstall the (2) outer screws through the bumper fascia and into the trunk pan.  
If present reinstall the underbody panel removed in Step 1.

PERIODICALLY CHECK THIS RECEIVER HITCH TO ENSURE THAT ALL FASTENERS ARE TIGHT AND THAT ALL STRUCTURAL COMPONENTS ARE SOUND.

CURT Manufacturing LLC., warrants this product to be free of defects in material and/or workmanship at the time of retail purchase by the original purchaser. If the product is found to be defective, CURT Manufacturing LLC., may repair or replace the product, at their option, when the product is returned, prepaid, with proof of purchase. Alteration to, misuse of, or improper installation of this product voids the warranty. CURT Manufacturing LLC.'s liability is limited to repair or replacement of products found to be defective, and specifically excludes liability for incidental or consequential loss or damage.

This product complies with safety specifications and requirements for connecting devices and towing systems of the state of New York, V.E.S.C.Regulation V-5 and SAE J684.