

7.1105 & 7.1106

Part Placement Diagram:

Motor & Transmission mounts for Nissan 1991-1994: Sentra SE-R, NX1600, NX2000. 2.0L Engine, Manual Transmission only.

Each Set sold seperatly.

7.1105

Motor Mounts Inserts / Replacement

- (1) 1070 Insert
- (1) 1071 Insert
- (1) 1123 Replacement
- (1) 1124 Replacement
- (1) 15.10.242.39 Sleeve
.562"X.437"X1.75"
- (1) 15.10.379.39 Sleeve
.625"X.437"X1.135"

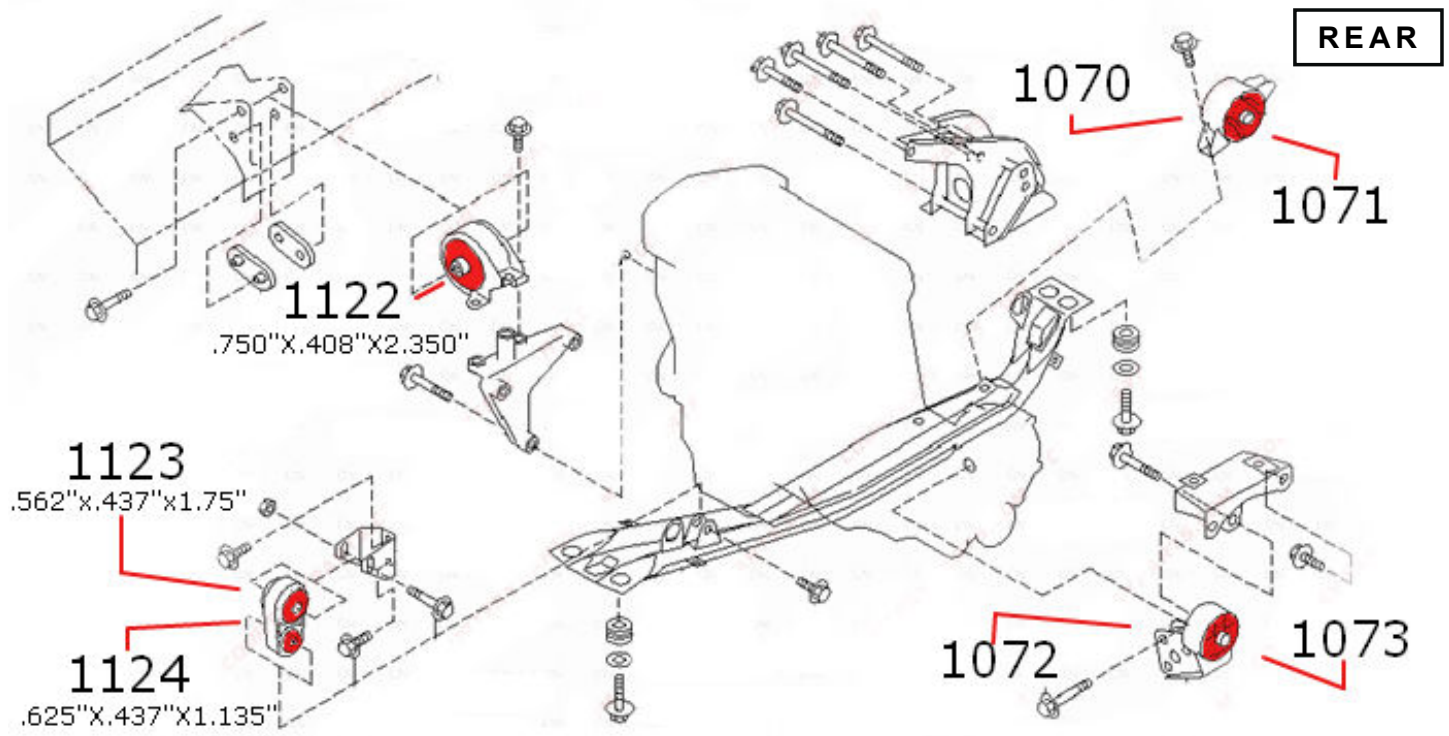
Only Fits OEM Mount: 11320-0M002

7.1106

Transmission Mounts Inserts / Replacement

- (1) 1072 Insert
- (1) 1073 Insert
- (1) 1122 Replacement
- (1) 15.10.381.39 Sleeve
.750"X.408"X2.350"

Only Fits OEM Mounts: 11210-0M800,
11210-5Y20, 11220-58Y00



FRONT

17561

© 2010 Energy Suspension. All rights reserved

May not be reproduced, in any form, or by any means, without written consent of Energy Suspension JCP 9/24/2010