

9.9169

2" / 50mm Creeper Wheels

4 wheels in this set

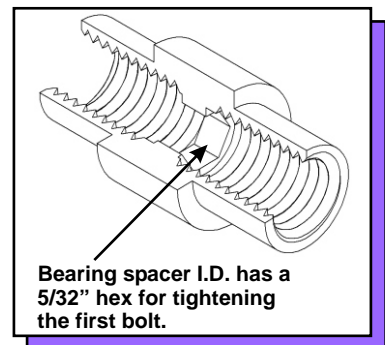
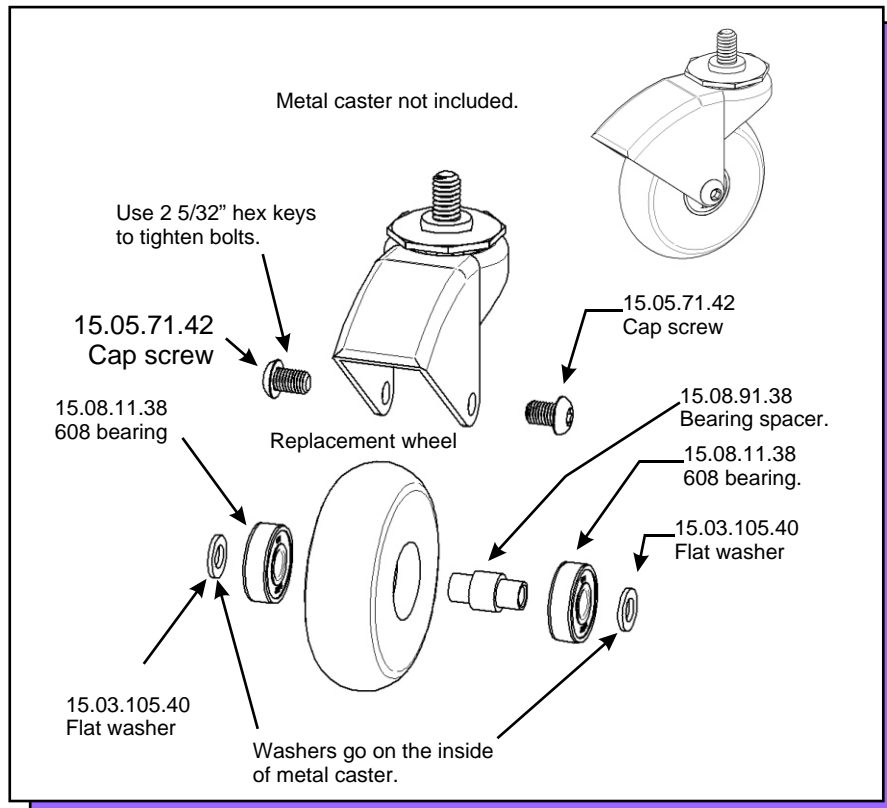
B.O.M.

- 4 - 15.12.87.* (2" / 50mm preassembled wheel).
 - 1 - 9324.* (2" / 50mm wheel).
 - 1 - 15.08.91.38 (Threaded bearing spacer).
 - 2 - 15.08.11.38 (608 bearings).
- 1 - 15.12.85.* (Washers & bolts, bagged).
 - 8 - 15.03.105.40 (.470" x .260" x .035" washer).
 - 8 - 15.05.71.42 (1/4-28 x 3/8" cap screw).
- 1 - 17383 Instructions.

Note: Metal caster is not included, you must reuse your original hardware. For casters with riveted axle, grind off one side and use a punch to remove rivet, or, use a hacksaw and cut rivet off next to wheel (between wheel and caster).



22.01.68 INSERT
22.02.53 CLAMSHELL



BRH
8/JUL/03
Updated 1/DEC/03
Updated 12/MAY/04

9.9170

2" / 50mm Creeper Wheels

6 wheels in this set

B.O.M.

6 - 15.12.87.* (2" / 50mm preassembled wheel).

1 - 9324.* (2" / 50mm wheel).

1 - 15.08.91.38 (Threaded bearing spacer).

2 - 15.08.11.38 (608 bearings).

1 - 15.12.86.* (Washers & bolts, bagged).

12 - 15.03.105.40 (.470" x .260" x .035" washer).

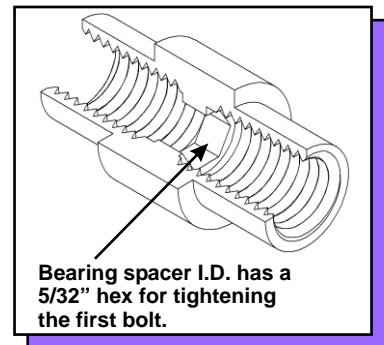
12 - 15.05.71.42 (1/4-28 x 3/8" cap screw).

1 - 17383 Instructions.

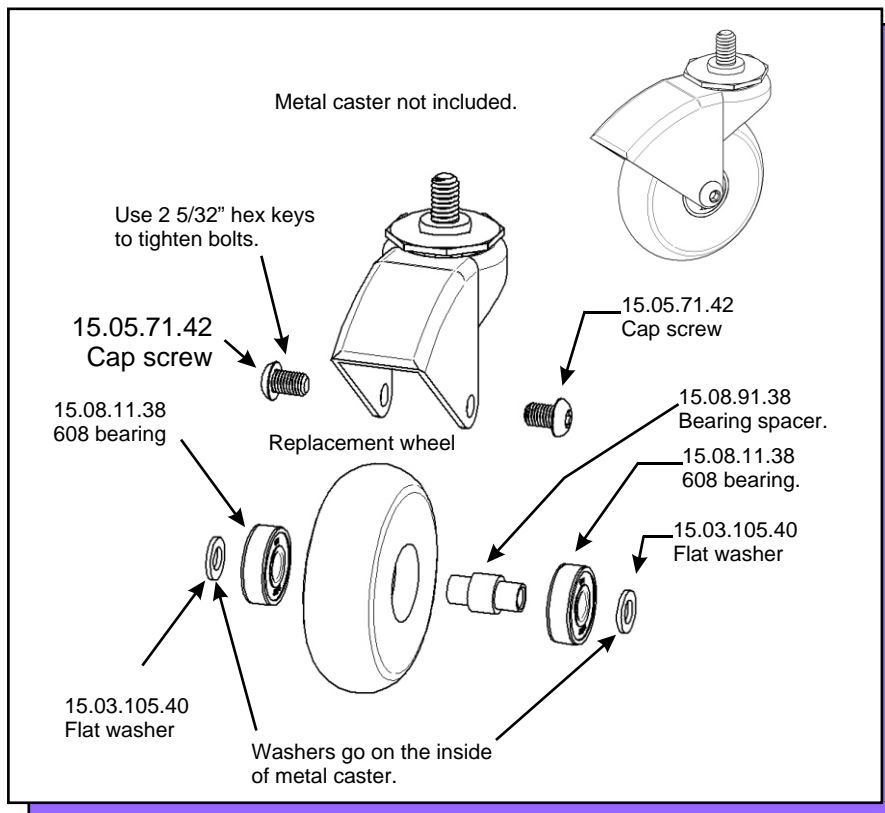
Note: Metal caster is not included, you must reuse your original hardware. For casters with riveted axle, grind off one side and use a punch to remove rivet, or, use a hacksaw and cut rivet off next to wheel (between wheel and caster).



22.01.68 INSERT
22.02.53 CLAMSHELL



BRH
8/JUL/03
Updated 1/DEC/03
Updated 12/MAY/04



9.9171G

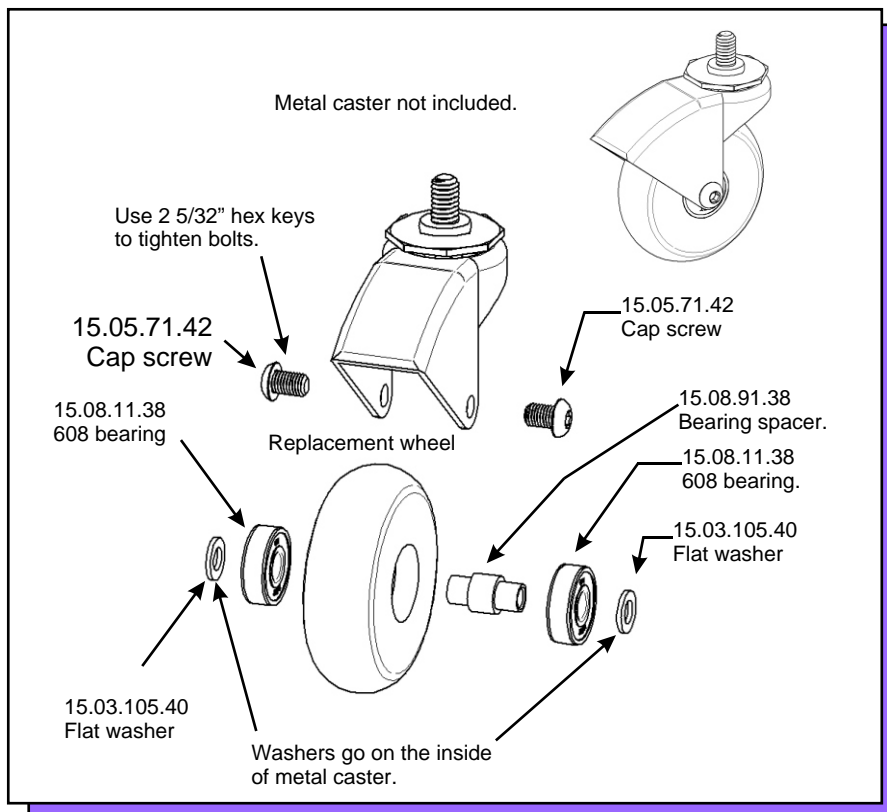
2-3/8" / 60mm Creeper Wheels

4 black wheels in this set

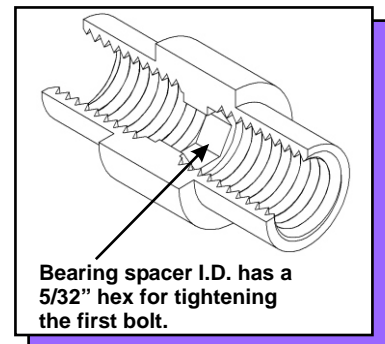
B.O.M.

- 4 - 15.12.89.01 (2-3/8" / 60mm preassembled wheel).
 - 1 - 9320.01 (2-3/8" / 60mm wheel).
 - 1 - 15.08.91.38 (Threaded bearing spacer).
 - 2 - 15.08.11.38 (608 bearings).
- 1 - 15.12.85.* (Washers & bolts, bagged).
 - 8 - 15.03.105.40 (.470" x .260" x .035" washer).
 - 8 - 15.05.71.42 (1/4-28 x 3/8" cap screw).
- 1 - 17383 Instructions.

Note: Metal caster is not included, you must reuse your original hardware. For casters with riveted axle, grind off one side and use a punch to remove rivet, or, use a hacksaw and cut rivet off next to wheel (between wheel and caster).



22.01.68 INSERT
22.02.53 CLAMSHELL



BRH
8/JUL/03
Updated 1/DEC/03
Updated 12/MAY/04

9.9171R

2-3/8" / 60mm Creeper Wheels

4 red wheels in this set

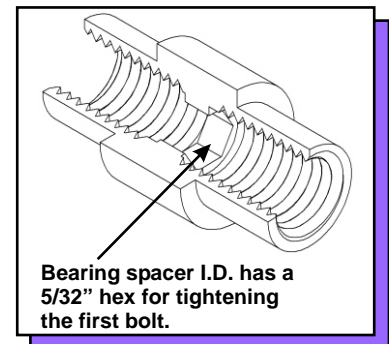
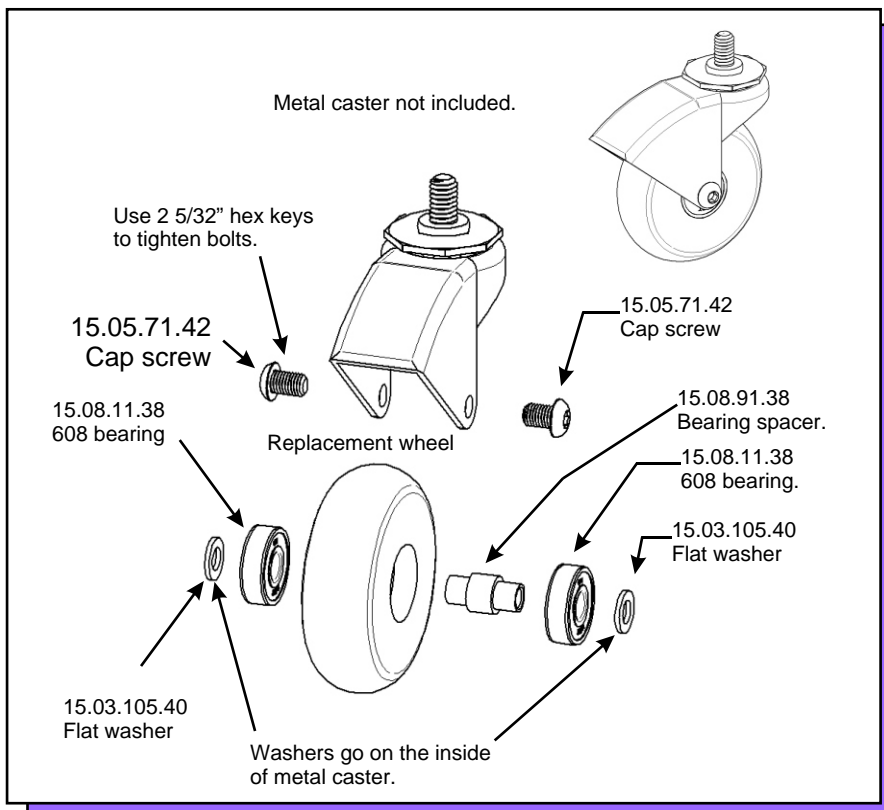
B.O.M.

- 4 - 15.12.88.02 (2-3/8" / 60mm preassembled wheel).
 - 1 - 9318.02 (2-3/8" / 60mm wheel).
 - 1 - 15.08.91.38 (Threaded bearing spacer).
 - 2 - 15.08.11.38 (608 bearings).
- 1 - 15.12.85.* (Washers & bolts, bagged).
 - 8 - 15.03.105.40 (.470" x .260" x .035" washer).
 - 8 - 15.05.71.42 (1/4-28 x 3/8" cap screw).
- 1 - 17383 Instructions.



Note: Metal caster is not included, you must reuse your original hardware. For casters with riveted axle, grind off one side and use a punch to remove rivet, or, use a hacksaw and cut rivet off next to wheel (between wheel and caster).

22.01.68 INSERT
22.02.53 CLAMSHELL



BRH
8/JUL/03
Updated 1/DEC/03
Updated 12/MAY/04

9.9172G

2-3/8" / 60mm Creeper Wheels

6 black wheels in this set

B.O.M.

6 - 15.12.89.01 (2-3/8" / 60mm preassembled wheel).

1 - 9320.01 (2-3/8" / 60mm wheel).

1 - 15.08.91.38 (Threaded bearing spacer).

2 - 15.08.11.38 (608 bearings).

1 - 15.12.86.* (Washers & bolts, bagged).

12 - 15.03.105.40 (.470" x .260" x .035" washer).

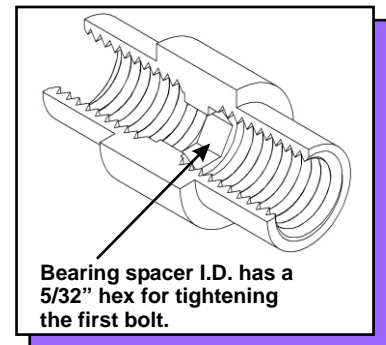
12 - 15.05.71.42 (1/4-28 x 3/8" cap screw).

1 - 17383 Instructions.

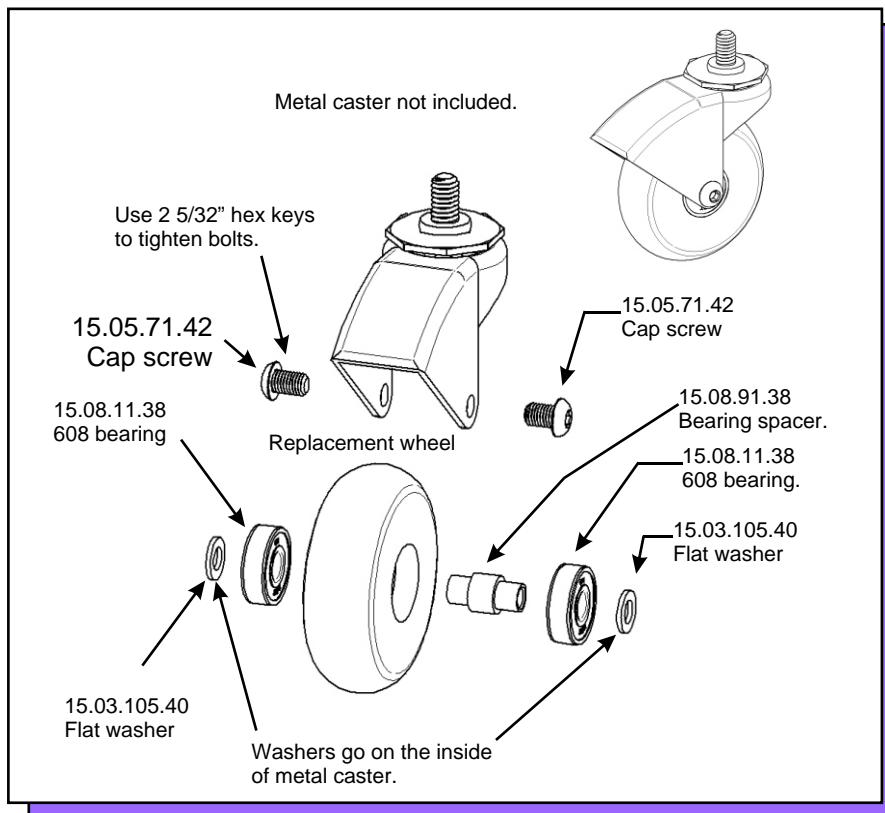
Note: Metal caster is not included, you must reuse your original hardware. For casters with riveted axle, grind off one side and use a punch to remove rivet, or, use a hacksaw and cut rivet off next to wheel (between wheel and caster).



22.01.69 INSERT
22.02.40 CLAMSHELL



BRH
8/JUL/03
Updated 1/DEC/03
Updated 12/MAY/04



9.9172R

2-3/8" / 60mm Creeper Wheels

6 red wheels in this set

B.O.M.

6 - 15.12.88.02 (2-3/8" / 60mm preassembled wheel)

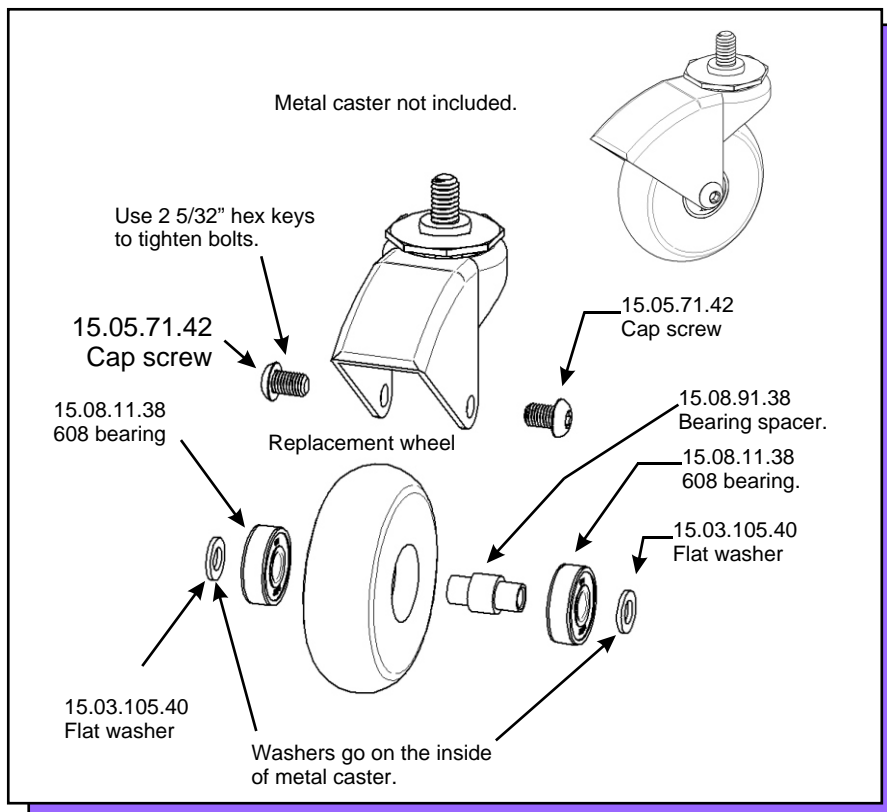
- 1 - 9318.02 (2-3/8" / 60mm wheel).
- 1 - 15.08.91.38 (Threaded bearing spacer).
- 2 - 15.08.11.38 (608 bearings).

1 - 15.12.86.* (Washers & bolts, bagged).

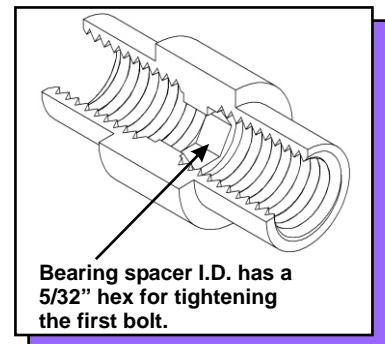
- 12 - 15.03.105.40 (.470" x .260" x .035" washer).
- 12 - 15.05.71.42 (1/4-28 x 3/8" cap screw).

1 - 17383 Instructions.

Note: Metal caster is not included, you must reuse your original hardware. For casters with riveted axle, grind off one side and use a punch to remove rivet, or, use a hacksaw and cut rivet off next to wheel (between wheel and caster).



22.01.69 INSERT
22.02.40 CLAMSHELL



BRH
8/JUL/03
Updated 1/DEC/03
Updated 12/MAY/04