

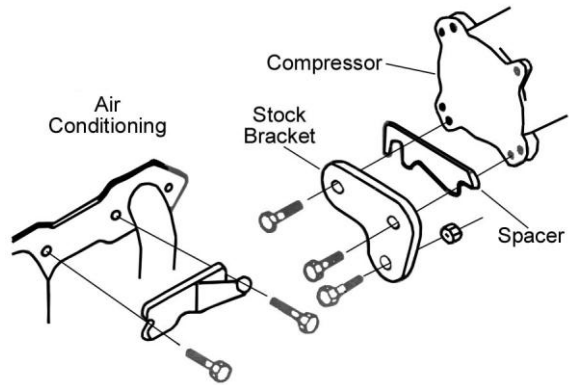


10925HKR / 10926HKR AIR CONDITIONING MOUNTING BRACKET

Bolt the Hooker bracket to the header flange between the first and second tubes using the 1" header bolts provided with the bracket. Attach the stock compressor mounting bracket to the Hooker bracket, as shown. It may be necessary to add or remove the spacers between the stock bracket and the rear of the air conditioning compressor to achieve proper alignment of the pulley on the front of the compressor with the appropriate pulley on the front of the engine.

The same procedure applies to both the right and left side applications (right side shown).

Hooker Technical Support
1-866-GO-HOLLEY (1-866-464-6553)



LIMITATION OF LIABILITY – DISCLAIMER:

The regulation of emissions production, noise levels, and safety standards is undertaken by the federal government, each of the fifty state legislatures, and by many local municipalities, towns, and counties.

HOOKER makes no warranties of merchantability, of fitness for particular purpose, or that its products are approved for general use, or that its products are approved for general use, or that its products comply with laws, regulations, or ordinances in the state where they may be sold to the ultimate purchaser, the consumer.

Unless expressly stated to the contrary in the catalog, instruction sheet; or price list, the entire risk as to the conformity of any company product in any such state and as to repair should the product prove to be defective or non-conforming, is on the retail purchaser, the buyer, the ultimate consumer, of such product and it is not upon the seller, distributor, or manufacturer.

In this connection, the retail purchaser, the buyer, the ultimate consumer assumes the burden of the entire cost of any and all necessary service, alterations, or repair.

THE FOREGOING STATEMENT LIMITS THE LIABILITY OF THE MANUFACTURER.

10925/6HKR-INST

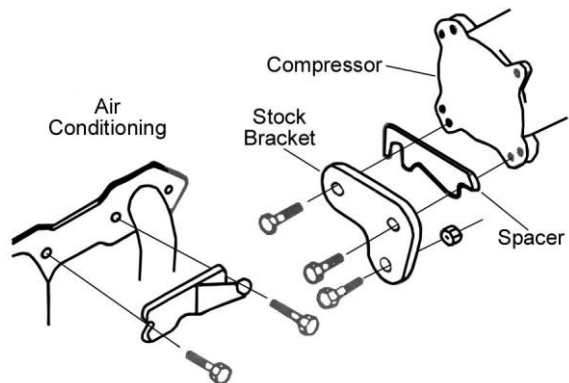


10925HKR / 10926HKR AIR CONDITIONING MOUNTING BRACKET

Bolt the Hooker bracket to the header flange between the first and second tubes using the 1" header bolts provided with the bracket. Attach the stock compressor mounting bracket to the Hooker bracket, as shown. It may be necessary to add or remove the spacers between the stock bracket and the rear of the air conditioning compressor to achieve proper alignment of the pulley on the front of the compressor with the appropriate pulley on the front of the engine.

The same procedure applies to both the right and left side applications (right side shown).

Hooker Technical Support
1-866-GO-HOLLEY (1-866-464-6553)



LIMITATION OF LIABILITY – DISCLAIMER:

The regulation of emissions production, noise levels, and safety standards is undertaken by the federal government, each of the fifty state legislatures, and by many local municipalities, towns, and counties.

HOOKER makes no warranties of merchantability, of fitness for particular purpose, or that its products are approved for general use, or that its products are approved for general use, or that its products comply with laws, regulations, or ordinances in the state where they may be sold to the ultimate purchaser, the consumer.

Unless expressly stated to the contrary in the catalog, instruction sheet; or price list, the entire risk as to the conformity of any company product in any such state and as to repair should the product prove to be defective or non-conforming, is on the retail purchaser, the buyer, the ultimate consumer, of such product and it is not upon the seller, distributor, or manufacturer.

In this connection, the retail purchaser, the buyer, the ultimate consumer assumes the burden of the entire cost of any and all necessary service, alterations, or repair.

THE FOREGOING STATEMENT LIMITS THE LIABILITY OF THE MANUFACTURER.

10925/6HKR-INST