

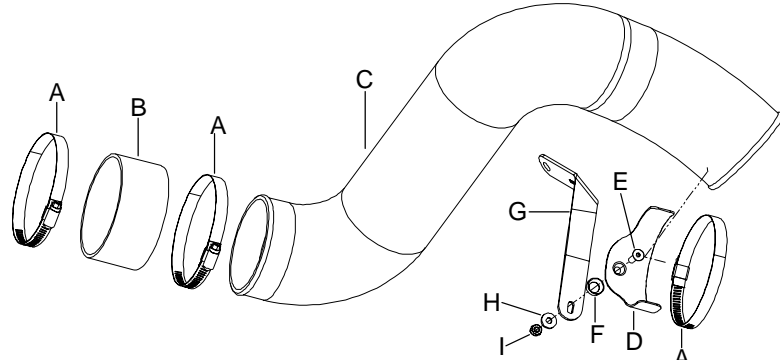


INTAKE SYSTEMS FOR VEHICLES LISTED ARE 50 STATE LEGAL. SEE KNFILTERS.COM FOR CARB STATUS ON EACH PART FOR A SPECIFIC VEHICLE.

INSTALLATION INSTRUCTIONS

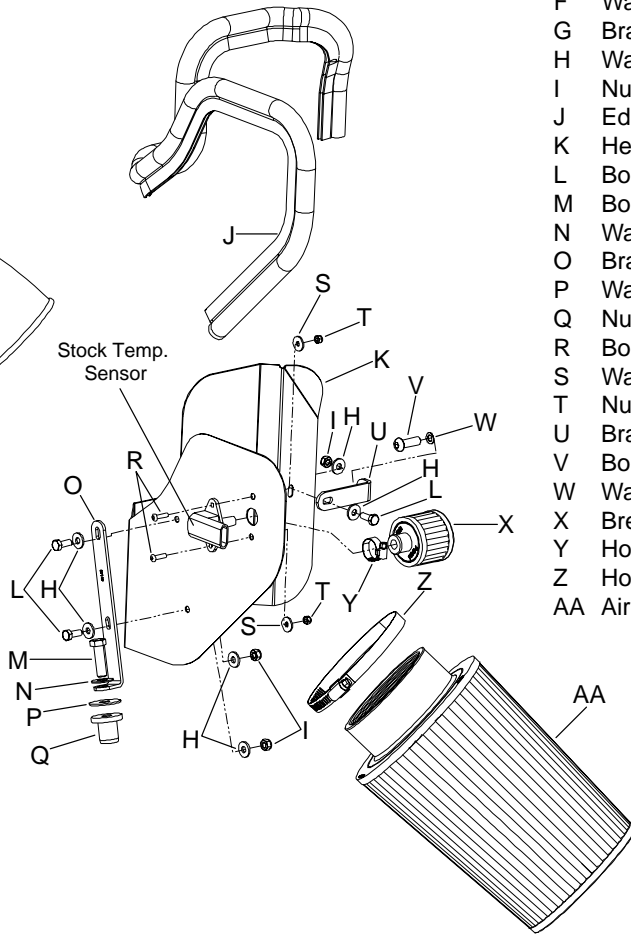
57-1532
DODGE
2003-07 Ram 2500, 3500
L6-5.9L Turbo Diesel

NOTE: This kit was not designed to fit vehicles with a body lift.



TOOLS NEEDED:

- Flat Blade Screwdriver
- 5mm Allen Wrench
- 2.5mm Allen Wrench
- 9/32" Socket
- 10mm Socket
- Ratchet
- 10mm Wrench
- 13mm Wrench
- 14mm Wrench
- 15mm Wrench



PARTS LIST:

| Description | Qty. | Part # |
|--|------|---------|
| A Hose Clamp #64 | 3 | 08645 |
| B Silicone Hose, 4"ID X 2"L | 1 | 08761 |
| C Intake Tube | 1 | 087084 |
| D Saddle Bracket | 1 | 078855 |
| E Bolt 6mm | 1 | 08376 |
| F Washer Cup | 1 | 08180 |
| G Bracket, Lg. Twist | 1 | 07160 |
| H Washer; .250"ID X .675"OD | 7 | 08275 |
| I Nut 6mm Nylock | 4 | 07553 |
| J Edge Trim 46"L | 1 | 102487 |
| K Heat Shield | 1 | 07486 |
| L Bolt 6mm-1.00 X 16mm | 3 | 07703 |
| M Bolt; 3/8"-16x1.250" | 1 | 07779 |
| N Washer 3/8" Flat | 1 | 08134 |
| O Bracket, Lg. | 1 | 07159 |
| P Washer Fender | 1 | 08126 |
| Q Nut 3/8" Rubber Insert | 1 | 08163 |
| R Bolt; 4mm X 16mm ButtnHd. Allen | 2 | 07793 |
| S Washer 4mm | 2 | 08278 |
| T Nut 4mm Nylock | 2 | 07501 |
| U Bracket, Sm. L | 1 | 07158 |
| V Bolt; 8mm-1.25 X 25mm ButtnHd. Allen | 1 | 07748 |
| W Washer 8mm Wave | 1 | 08239 |
| X Breather Filter | 1 | 62-1320 |
| Y Hose Clamp #6 Mini | 1 | 08407 |
| Z Hose Clamp #72 | 1 | 08671 |
| AA Air Filter | 1 | RC-4780 |

NOTE: FAILURE TO FOLLOW INSTALLATION INSTRUCTIONS AND NOT USING THE PROVIDED HARDWARE MAY DAMAGE THE INTAKE TUBE, THROTTLE BODY AND ENGINE.

TO START:

1. Turn off the ignition and disconnect the negative battery cable.
NOTE: Disconnecting the negative battery cable erases pre-programmed electronic memories. Write down all memory settings before disconnecting the negative battery cable. Some radios will require an anti-theft code to be entered after the battery is reconnected. The anti-theft code is typically supplied with your owner's manual. In the event your vehicles' anti-theft code cannot be recovered, contact an authorized dealership to obtain your vehicles anti-theft code.



2. Disconnect the air temperature sensor electrical connection.



3. Loosen the hose clamps at the turbo inlet and the air box outlet as shown.



4. Remove the intake tube from the vehicle as shown.



5. Loosen and remove the 10mm nut that retains the air box to the vehicle.



6. Remove the complete air box assembly from the vehicle as shown.
NOTE: K&N Engineering, Inc., recommends that customers do not discard factory air intake.



7. Remove the air box mounting grommet as shown.



8. Install the large "L" bracket onto the heat shield with the provided hardware.
NOTE: Do not tighten completely.



9. Install the short "L" bracket onto the heat shield with the provided hardware.
NOTE: Do not tighten completely.



10. Install the edge trim onto the heat shield as shown.



11. Remove the temperature sensor from the air box lid using an 9/32 socket.



12. Install the temperature sensor onto the heat shield with the provided hardware as shown.



13. Remove the bolt that retains the fan shroud to the radiator.



14. Install the nut insert onto the air box mounting tab as shown.



15. Reconnect the air temperature sensor electrical connection as shown.



16. Install the heat shield onto the vehicle with the provided hardware.

NOTE: Use the 8mm bolt to fasten the heat shield to the fan shroud.



17. Assemble the saddle bracket onto the "L" bracket using the provided hardware.



18. Remove the upper alternator bolt.



19. Install the saddle bracket assembly onto the alternator with the bolt that was removed in the previous step.



20. Install the silicone hose (08761) onto the turbo with the provided hose clamp.



21. Remove the air filter minder and grommet from the stock air box lid as shown.



22. Install the intake tube onto the turbo inlet, then align with the saddle bracket. Attach the saddle bracket to the intake tube with the provided hose clamp, adjust the bracket to achieve the appropriate clearance for the intake tube before tightening.



23. Install the grommet and air filter minder that was removed in step 21 onto the K&N® air filter as shown.



24. Install the K&N® air filter onto the air temperature sensor as shown.



25. Install the K&N® air filter onto the intake tube as shown.



26. Reconnect the vehicle's negative battery cable. Double check to make sure everything is tight and properly positioned before starting the vehicle.

27. The C.A.R.B. exemption sticker, (attached), must be visible under the hood so that an emissions inspector can see it when the vehicle is required to be tested for emissions. California requires testing every two years, other states may vary.

28. It will be necessary for all K&N® high flow intake systems to be checked periodically for realignment, clearance and tightening of all connections. Failure to follow the above instructions or proper maintenance may void warranty.

ROAD TESTING:

1. Start the engine with the transmission in neutral or park, and the parking brake engaged. Listen for air leaks or odd noises. For air leaks secure hoses and connections. For odd noises, find cause and repair before proceeding. This kit will function identically to the factory system except for being louder and much more responsive.

2. Test drive the vehicle. Listen for odd noises or rattles and fix as necessary.

3. If road test is fine, you can now enjoy the added power and performance from your kit.

4. K&N Engineering, Inc., requires cleaning the intake system's air filter element every 100,000 miles. When used in dusty or off-road environments, our filters will require cleaning more often. We recommend that you visually inspect your filter once every 25,000 miles to determine if the screen is still visible. When the screen is no longer visible some place on the filter element, it is time to clean it. To clean and re-oil, purchase our filter Recharger® service kit, part number 99-5050 or 99-5000 and follow the easy instructions.

IMPORTANT:

Service air filter according to the K&N® cleaning instructions (99-5050) when the indicator on the restriction gauge is in the 35 to 65% range. On vehicles that come with a numbered restrictor gauge, service the air filter when the indicator on the restriction gauge is in the 15 to 20" range. Do not run the vehicle with the indicator above the 65% or 20" range, as damage to the air filter and or the engine could result.

INTAKE SYSTEMS FOR VEHICLES LISTED ARE 50 STATE LEGAL. SEE KNFILTERS.COM FOR CARB STATUS ON EACH PART FOR A SPECIFIC VEHICLE.