



## INSTALLATION INSTRUCTIONS

# CHASE LIGHT BAR®



### REPLACEMENT/ALTERNATIVE BRACKET KITS:

46598 - Chase Bar Tube Mount Kit/2

46599 - Chase Bar Surface Mount Kit/2

**\*THESE INSTRUCTIONS ARE FOR THE FOLLOWING LIGHTS:  
CHASE LIGHT BAR PN: 901801 & 901802**

### **IMPORTANT**

THANK YOU FOR PURCHASING RIGID INDUSTRIES' PRODUCTS FOR YOUR VEHICLE.  
Please read through all of these Instructions and tips before proceeding with the installation.

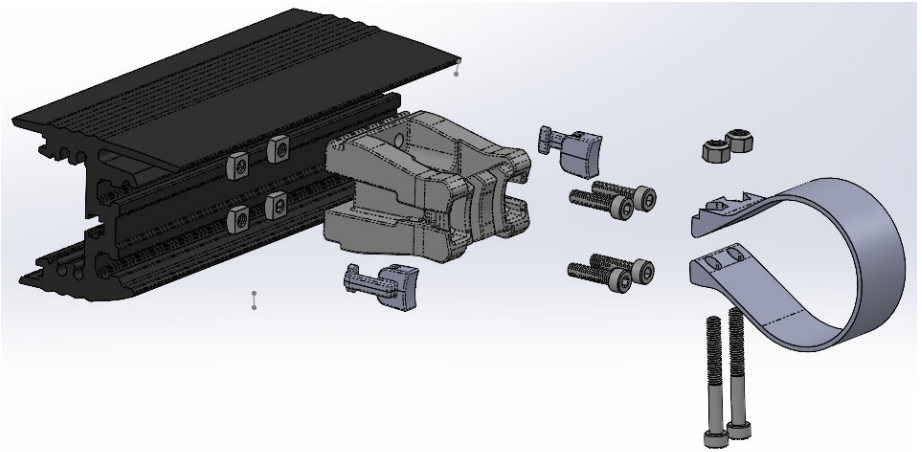
We do our best to provide a simple installation process for all applications however  
a professional installation is always recommended.

**Always disconnect any power sources connected to your vehicle  
before servicing fuses or electrical systems.**

# MOUNTING INSTRUCTIONS

## TUBE MOUNT

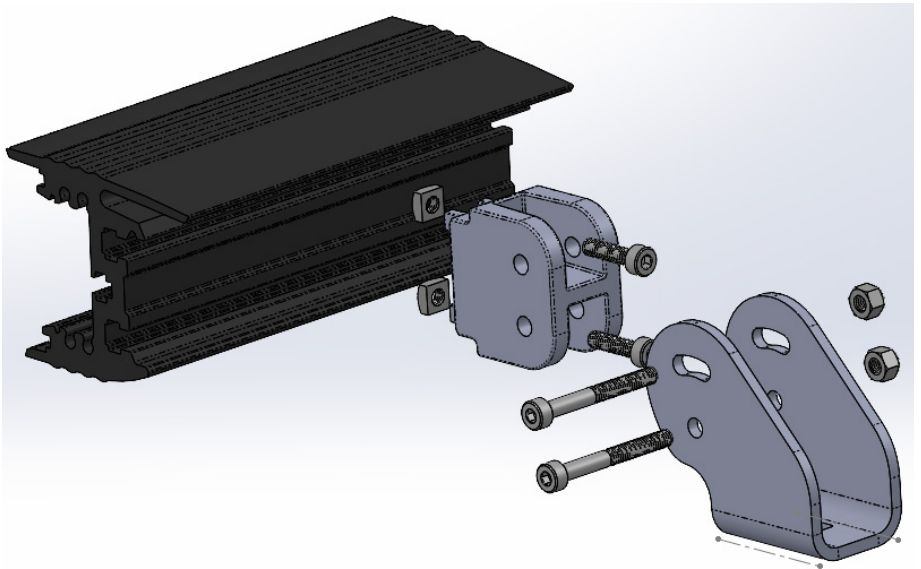
1. Place 4 square nuts into each channel on the back of the light
2. Align the 4 square nuts with the holes on each of the two mount pucks
3. Take the 8 socket head cap screws (shorter) and loosely screw them into the square nuts
4. Slide the mount pucks into the desired location and tighten the socket head cap screws to 6 in-lbs
5. Insert 2 rubber bumpers into the sides of each mount puck
6. Place the 2 tube clamps onto the vehicle
7. Insert 2 socket head cap screws (longer) into each tube clamp and loosely thread on a nut to each screw
8. Position the tube clamps to align with mount pucks
9. Slide the mount pucks over the tube mount screws. Tighten the tube mount screws to 6 in-lbs.



# MOUNTING INSTRUCTIONS

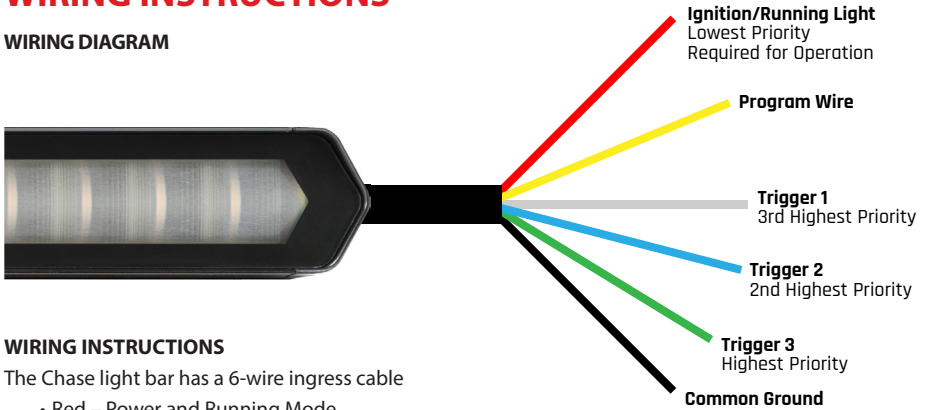
## SURFACE MOUNT

1. Place 2 square nuts into each channel on the back of the light
  2. Align the 2 square nuts with the holes on each of the two mount pucks
  3. Take the 4 socket head cap screws (shorter) and loosely screw them into the square nuts
  4. Slide the mount pucks into the desired location and tighten the socket head cap screws to 6 in-lbs
  5. Place the surface mount brackets around the mount puck and insert 2 socket head cap screws (longer) through the mounts and pucks and loosely tighten a nut to each screw.
  6. Install the mounts on a surface using the flat washer, lock washer, carriage bolt, and large hex nut.
  7. Tilt the light to the desired angle and tighten the socket head cap screws (longer) to 6 in-lbs.
- Note: The surface mount can be mounted from the top or the bottom



# WIRING INSTRUCTIONS

## WIRING DIAGRAM



## WIRING INSTRUCTIONS

The Chase light bar has a 6-wire ingress cable

- Red – Power and Running Mode
- Black – Common Ground
- White – Trigger 1
- Blue – Trigger 2
- Green – Trigger 3
- Yellow – Program wire

## THE RED AND BLACK WIRE MUST BE CONNECTED FOR THE LIGHT TO FUNCTION, THE THREE TRIGGERS ARE OPTIONAL

- Connect the Red wire to 12V and the Black wire to ground
- Tap the Yellow program wire to 12V to cycle programs & select the desired running mode
- Once the mode is selected, stop tapping the Yellow wire. The mode is saved as the selected option for the Red wire.
- The red wire must be connected to 12V for the remaining triggers to be programmed and functional

## PROGRAMMING THE TRIGGERS

NOTE: It is not required to program the three trigger wires

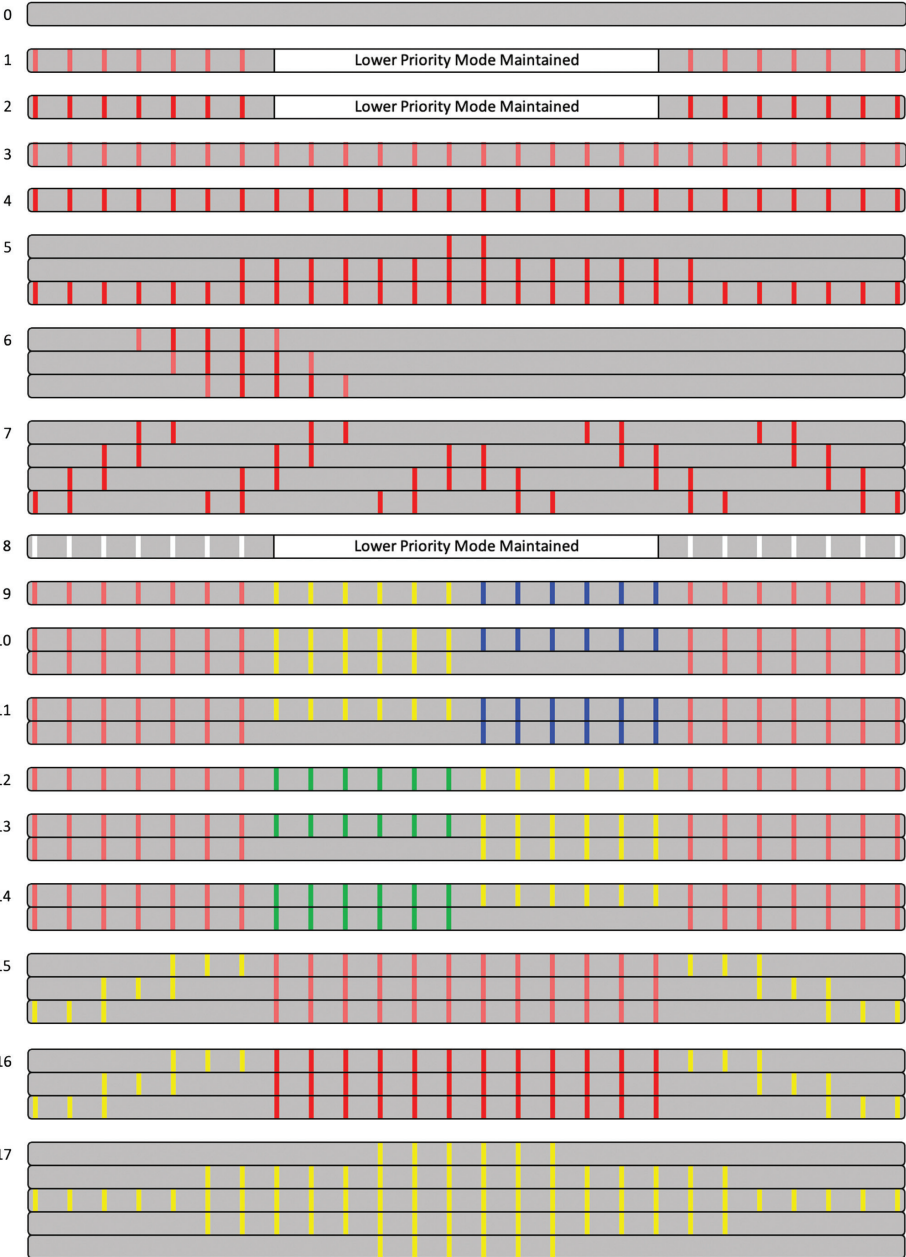
- With the Red and Black wires connected, connect the White Trigger 1 wire to 12v
- Tap the Yellow program wire to 12v to select the desired mode
- Once the mode is selected, stop tapping the Yellow wire to power. The mode is now saved as the selected option for the White wire.
- Connect the white wire to the appropriate circuit, ie brake, reverse, turn signal, switch, etc.
- Repeat the steps to program the Blue Trigger 2 wire and Green Trigger 3 wire
- When mode selection is complete, place a wire nut over the Yellow Program wire

## EACH WIRE HAS A SET PRIORITY LEVEL

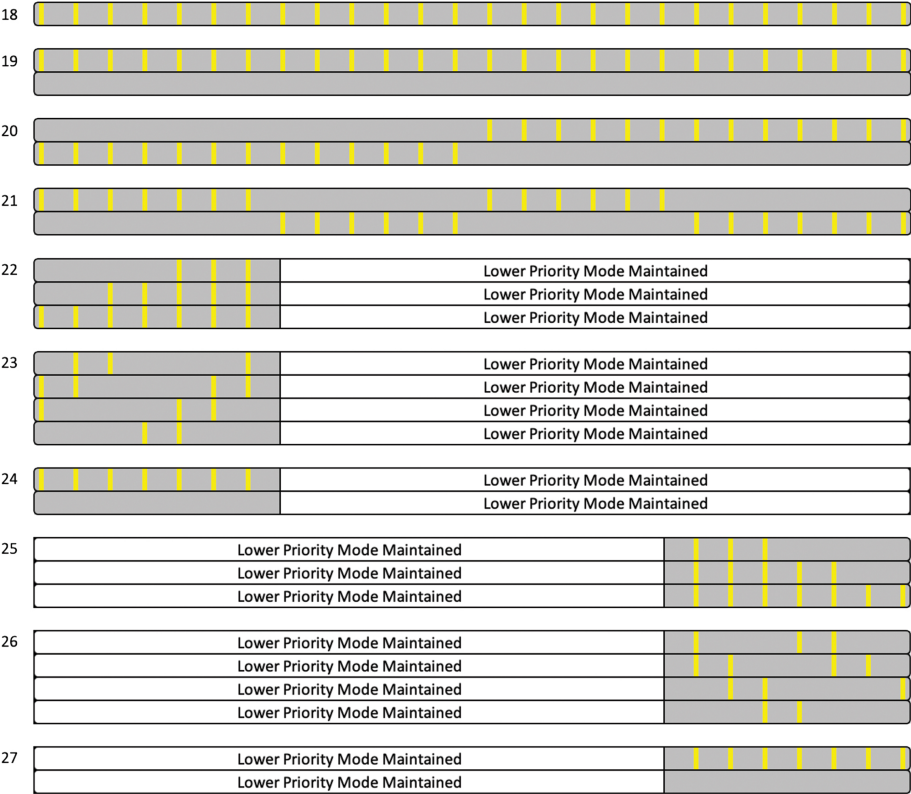
- Highest Priority – Green – Trigger 3
- Next Highest Priority – Blue – Trigger 2
- Next Highest Priority – White – Trigger 1
- Lowest Priority – Red – Power
- If multiple triggers are powered the highest priority wire will overwrite or overlap the lower priority modes
- If the white Trigger 1 wire is connected to the brake circuit, when the brake is initiated it will overlap the running mode programmed on the red wire.

# AVAILABLE MODES

KEY      Off      White      Low Red      High Red      Amber      Green      Blue



# AVAILABLE MODES







**Your installation is now complete.  
Welcome to the RIGID Nation!**

---

## **WARRANTY INFORMATION**

For warranty information, visit [www.rigidindustries.com/about/warranty](http://www.rigidindustries.com/about/warranty)

779 N Colorado St, Gilbert, AZ 85233 • 855-760-5337  
[www.rigidindustries.com](http://www.rigidindustries.com)

RIGID and Rigid Industries are registered and/or common law marks owned by JST Performance, LLC, a Delaware limited liability company d/b/a Rigid Industries.

11-13819-A