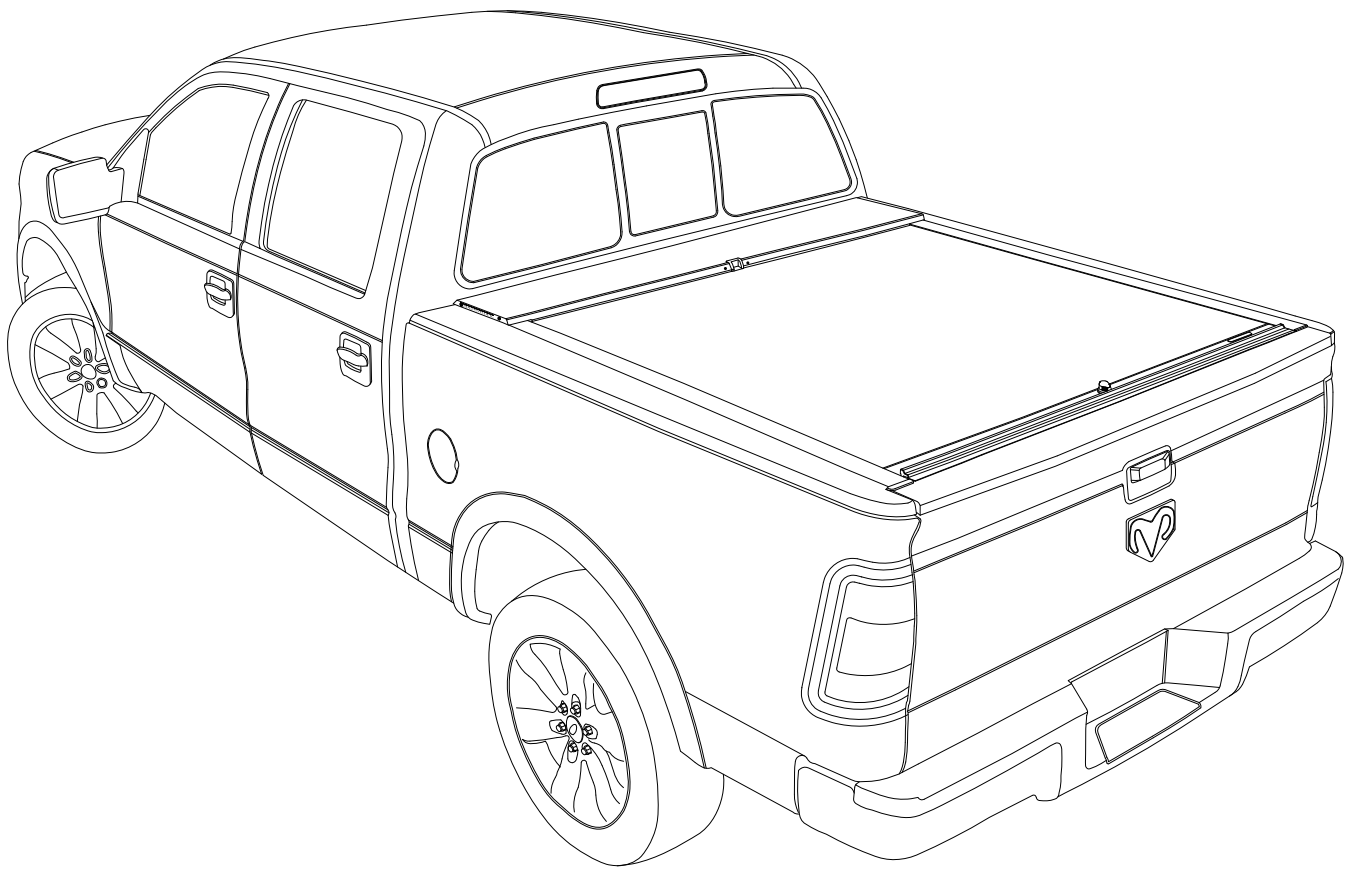




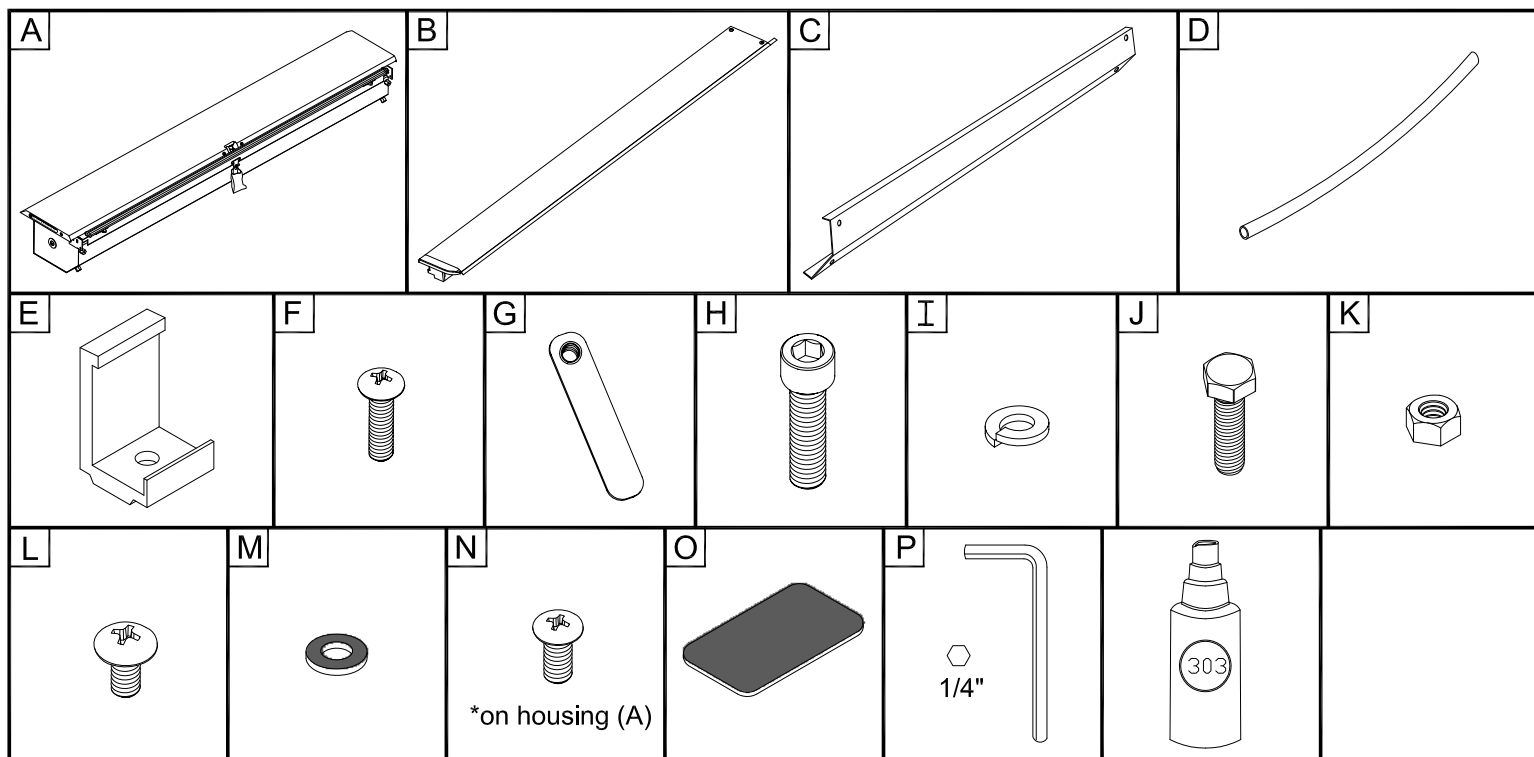
# 2019 Dodge Ram Installation Guide



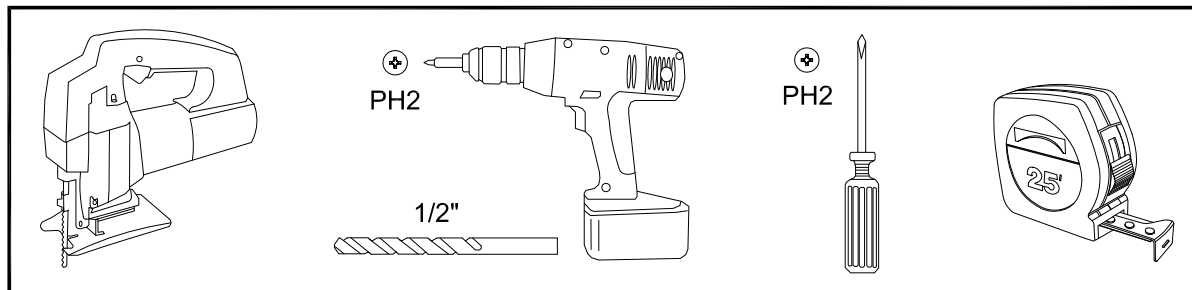
Product Code  
401 - 402

# Parts List

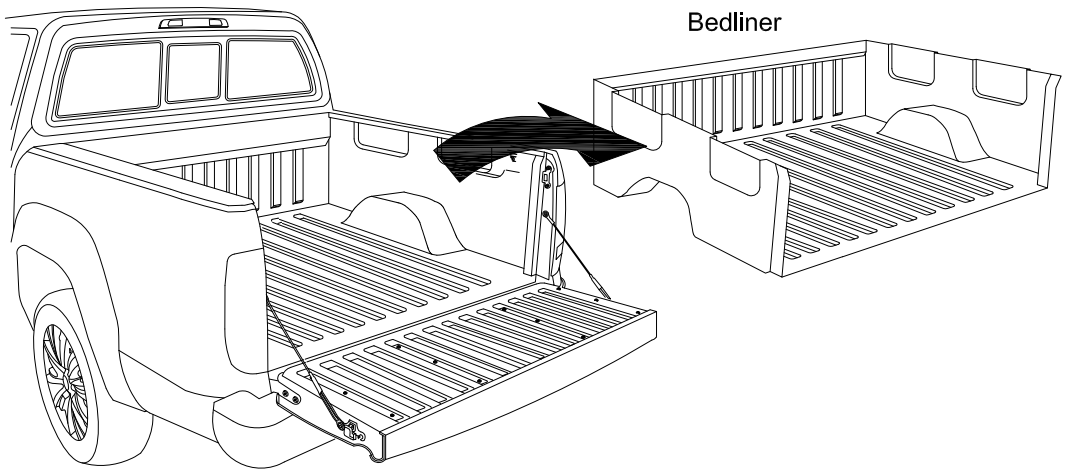
| Item | Part Name    | Qty. | Item | Part Name            | Qty. | Item | Part Name           | Qty. |
|------|--------------|------|------|----------------------|------|------|---------------------|------|
| A    | Housing      | 1    | G    | Cargo Nut            | 2    | M    | Black Rubber Washer | 4    |
| B    | Track        | 2    | H    | 5/16" x 1" Cap Screw | 6    | N    | 1/4" Lid Screw      | 2    |
| C    | Cargo Shield | 1    | I    | 5/16" Lock Washer    | 6    | O    | Stake Hole Cover    | 2    |
| D    | Drain Tube   | 2    | J    | 1/4-20 x 1" Bolt     | 2    | P    | Allen Wrench (1/4") | 1    |
| E    | Bed Clamp    | 6    | K    | 1/4-20 Hex Nut       | 2    |      | 303 Vinyl Protector | 1    |
| F    | #10-24 Screw | 2    | L    | 1/4-20 x 3/8" Screw  | 4    |      |                     |      |



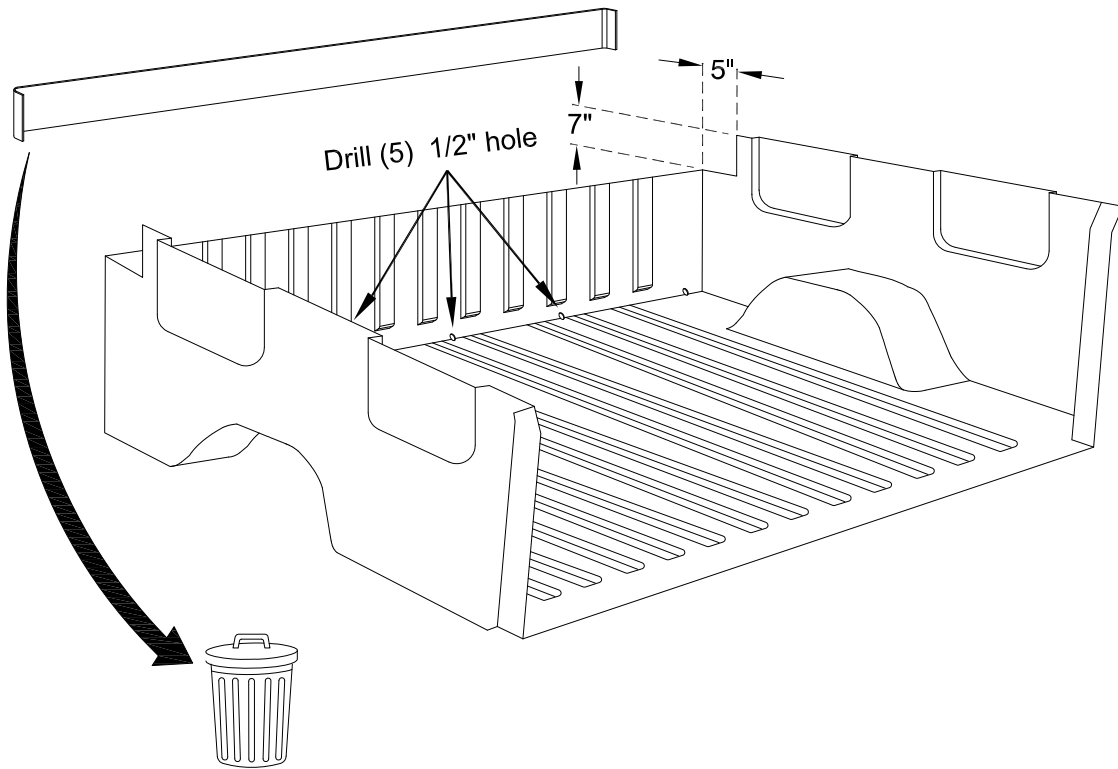
## Tools Needed



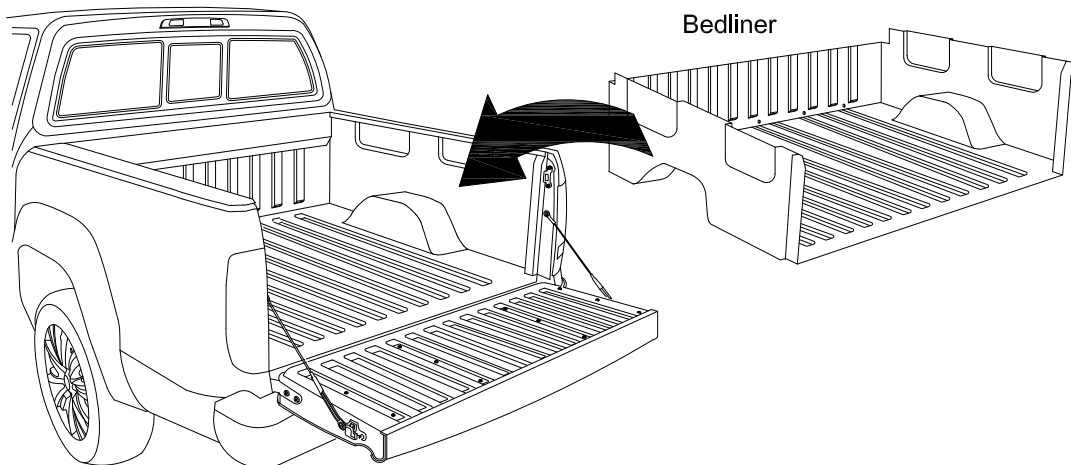
1a If no plastic bedliner present proceed to page 4 - Step 1



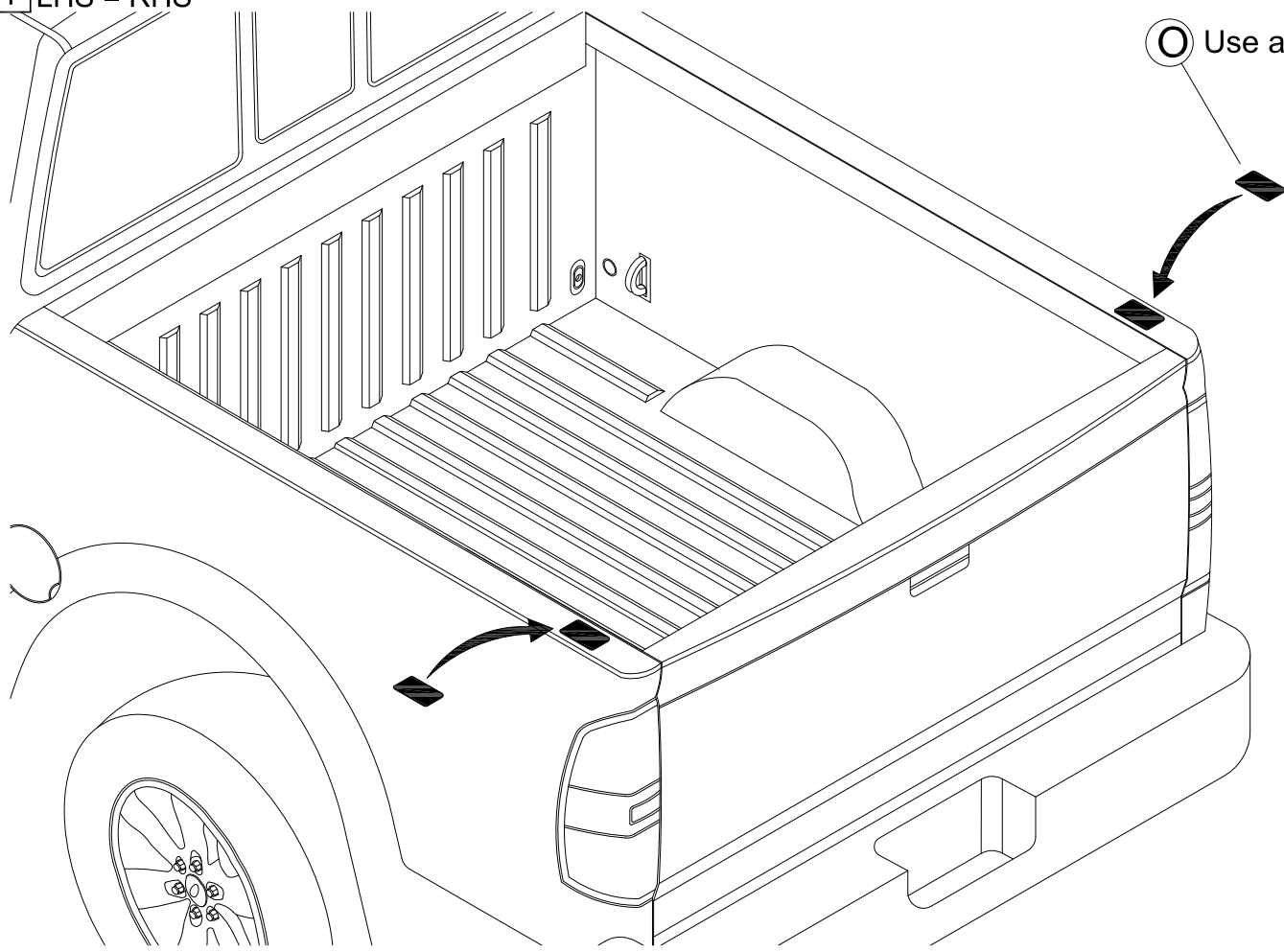
1b



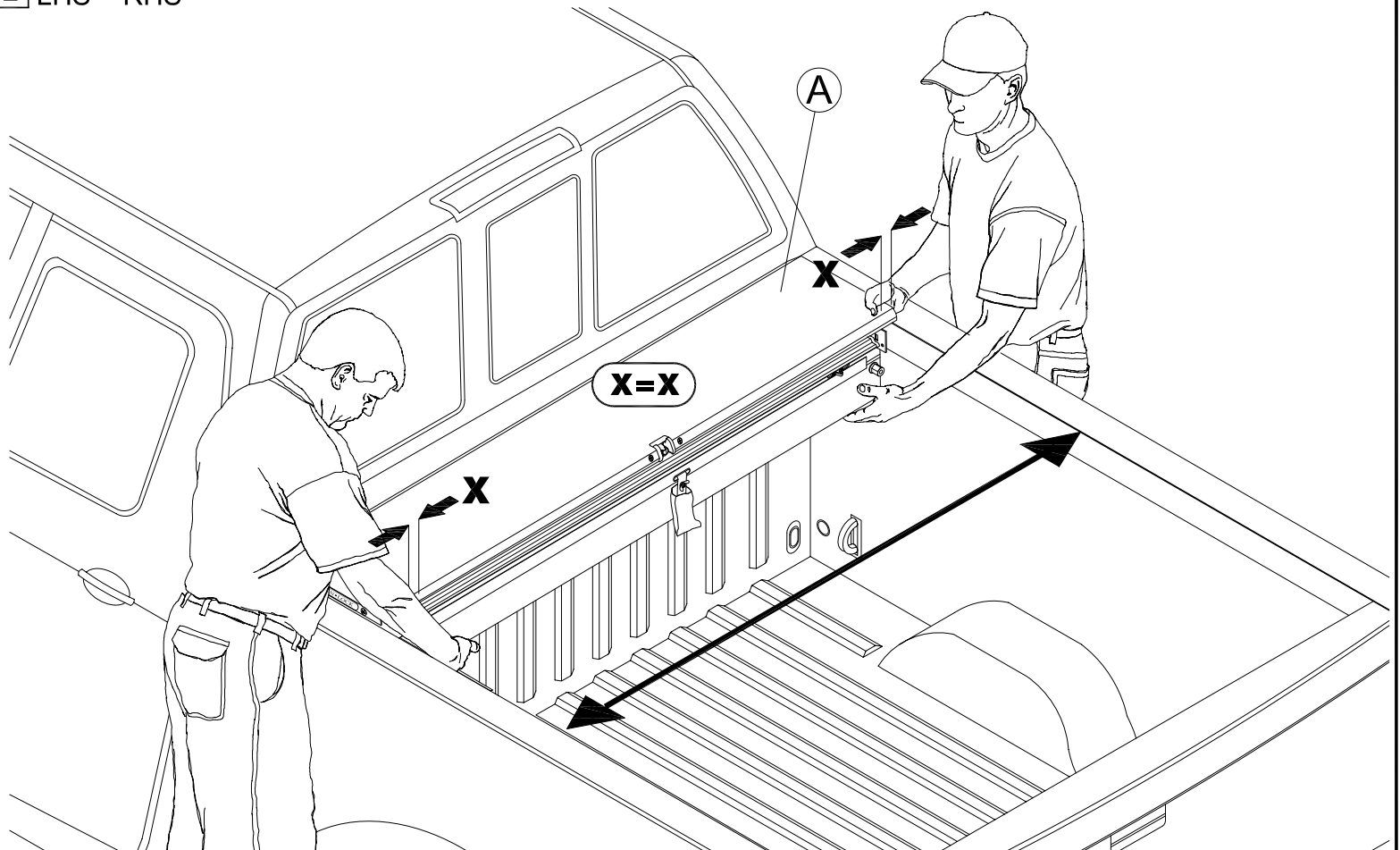
1c



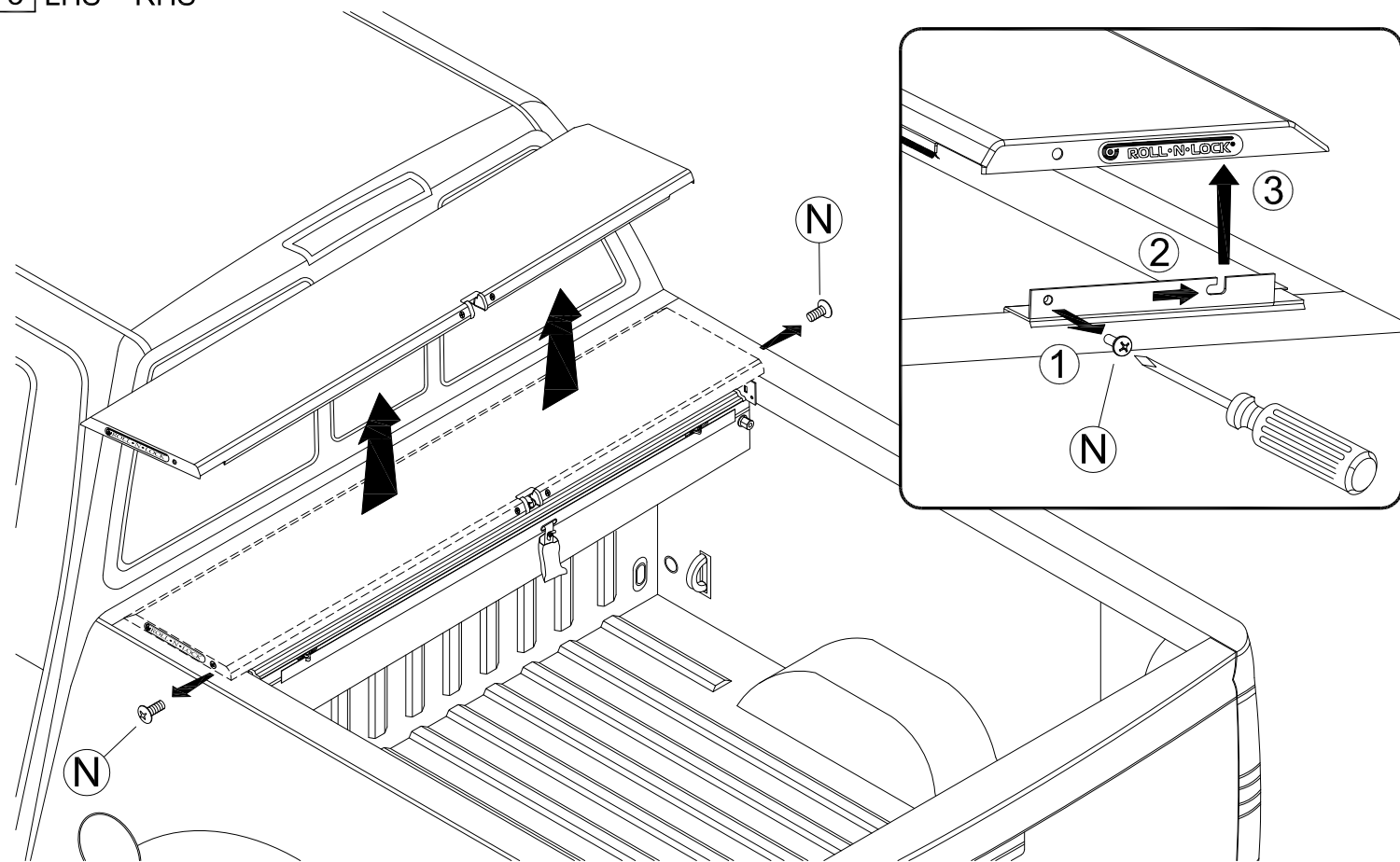
1 LHS = RHS



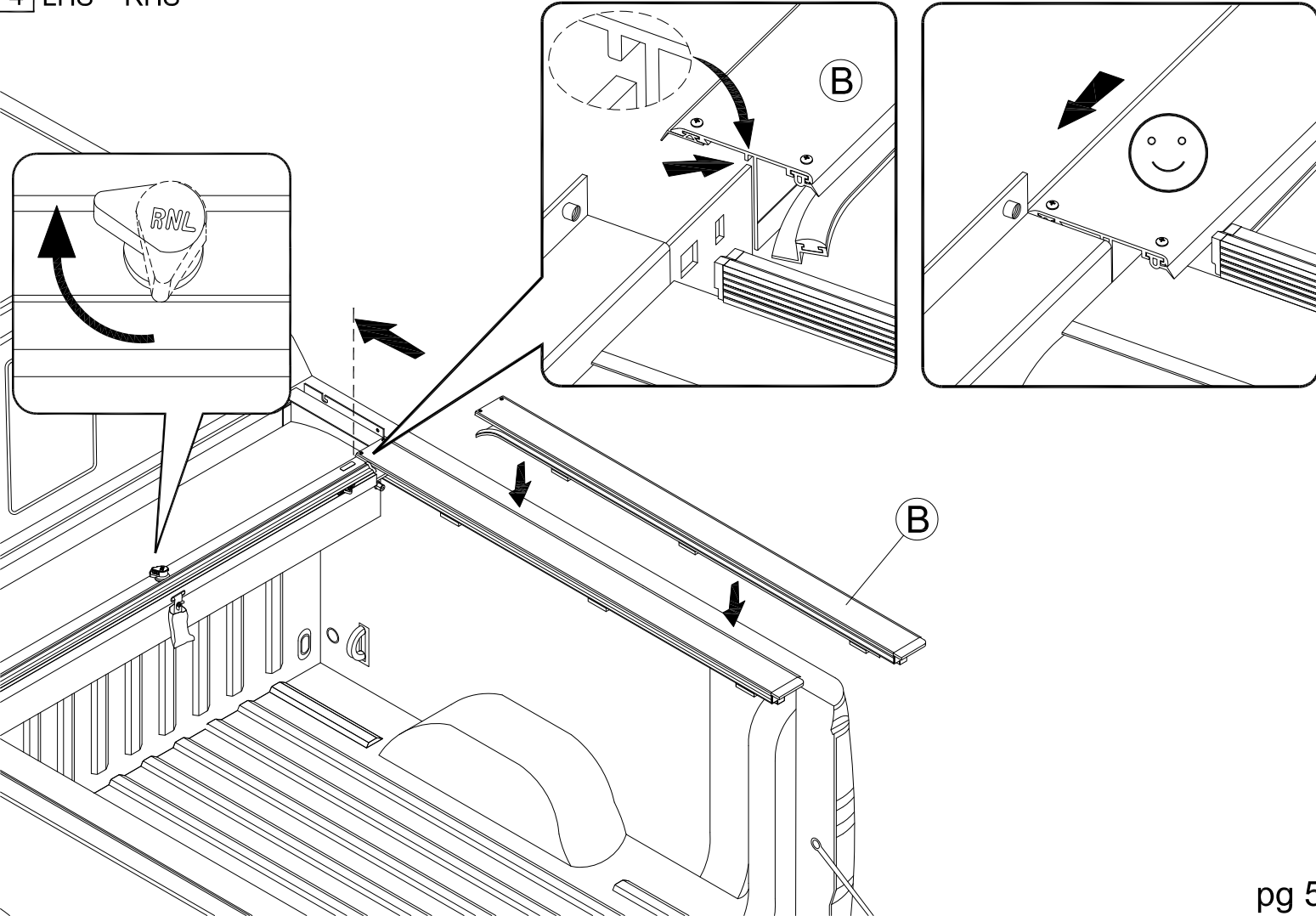
2 LHS = RHS



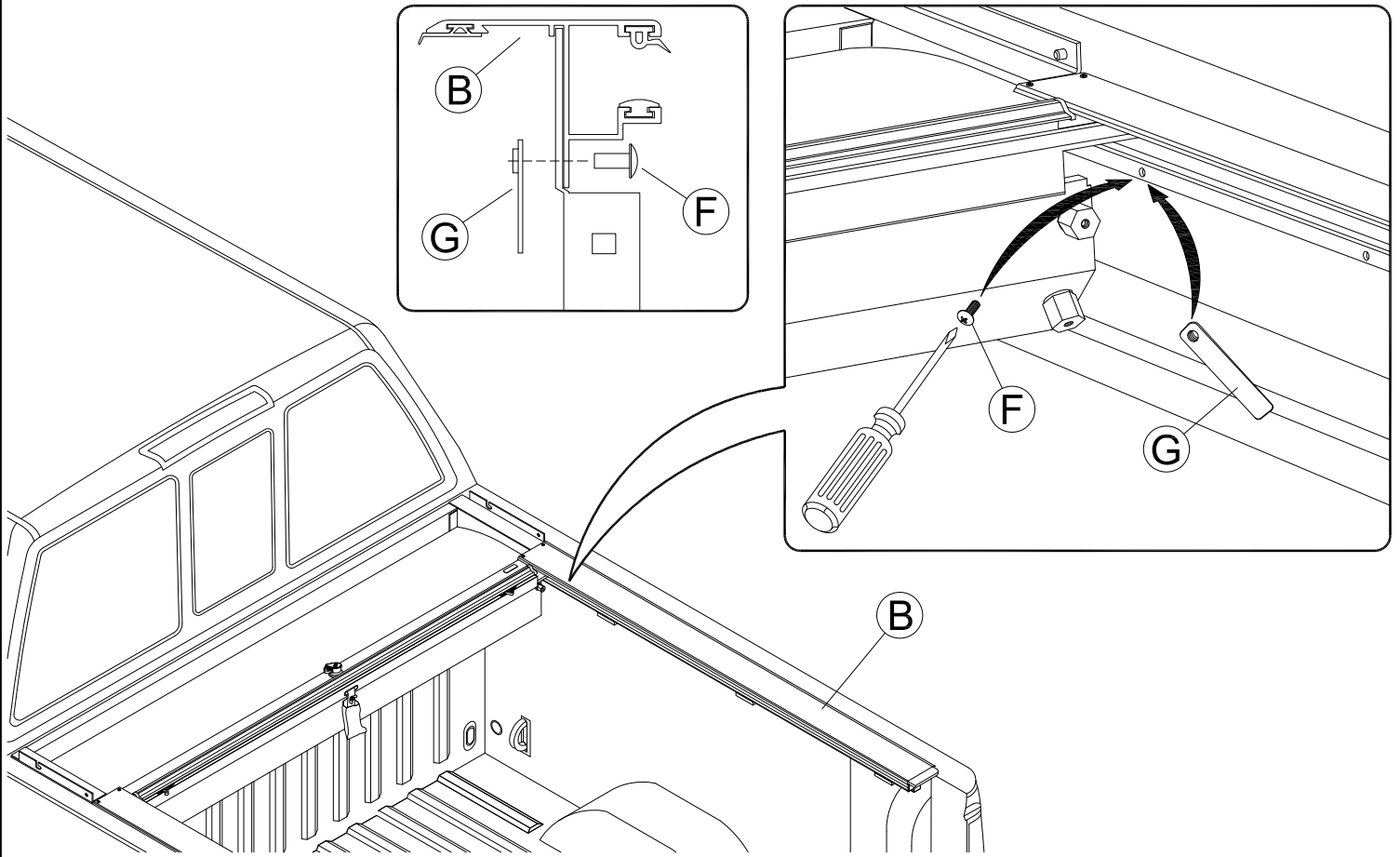
3 LHS = RHS



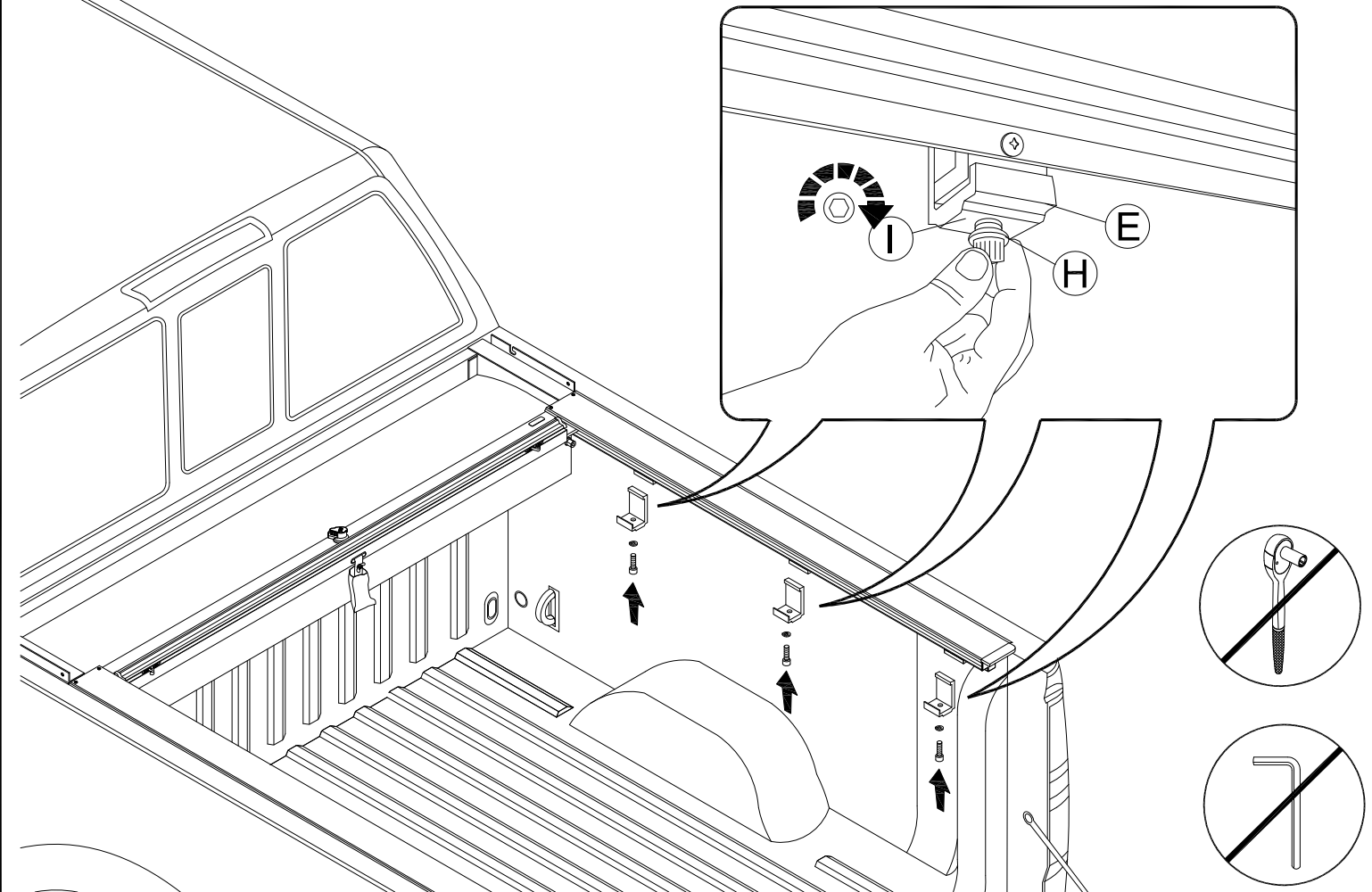
4 LHS = RHS



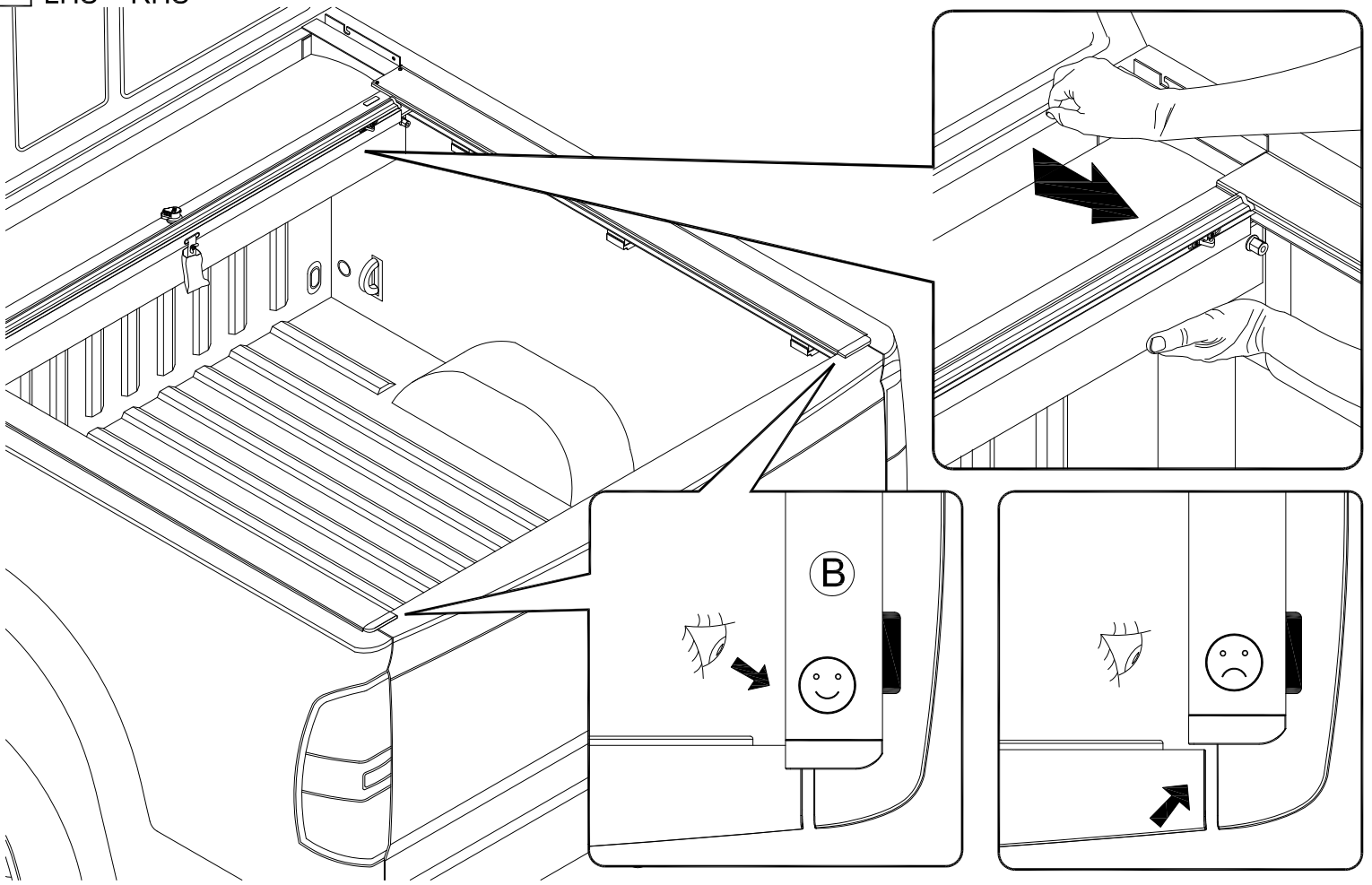
5 LHS = RHS



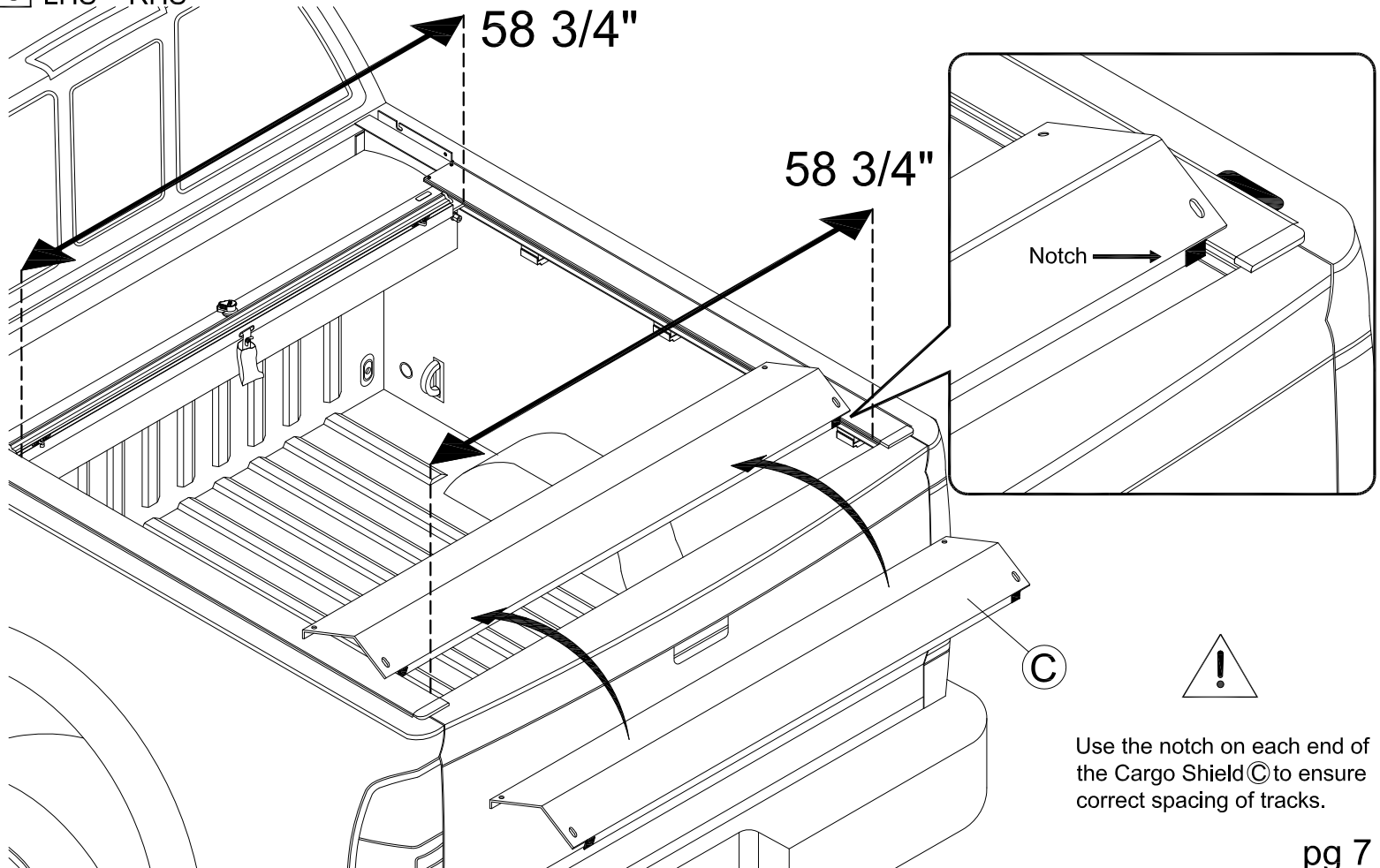
6 LHS = RHS



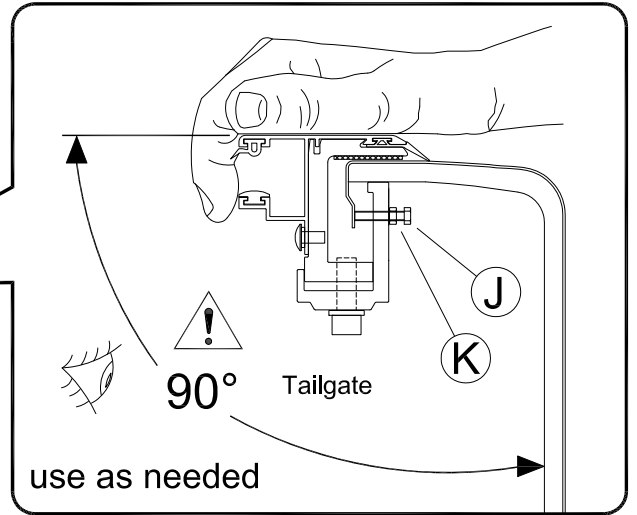
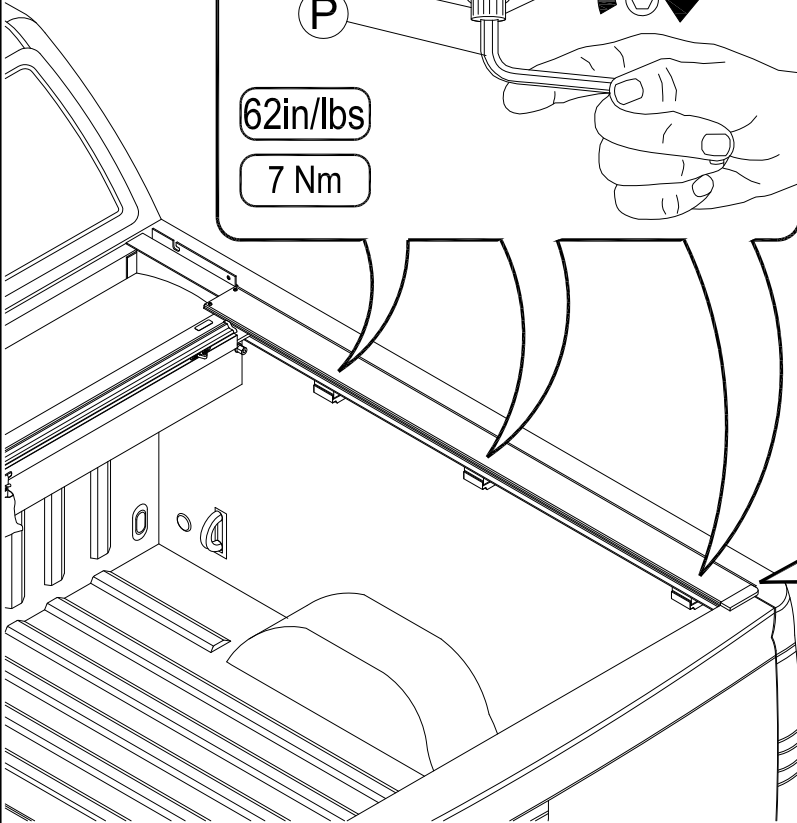
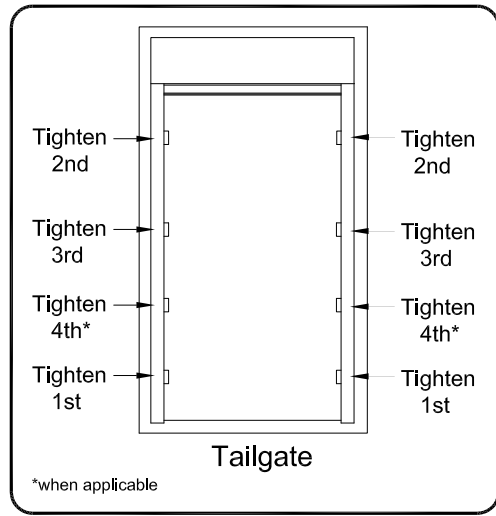
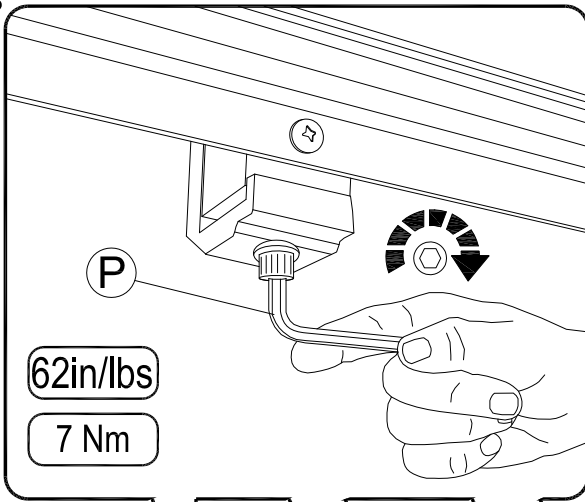
7 LHS = RHS



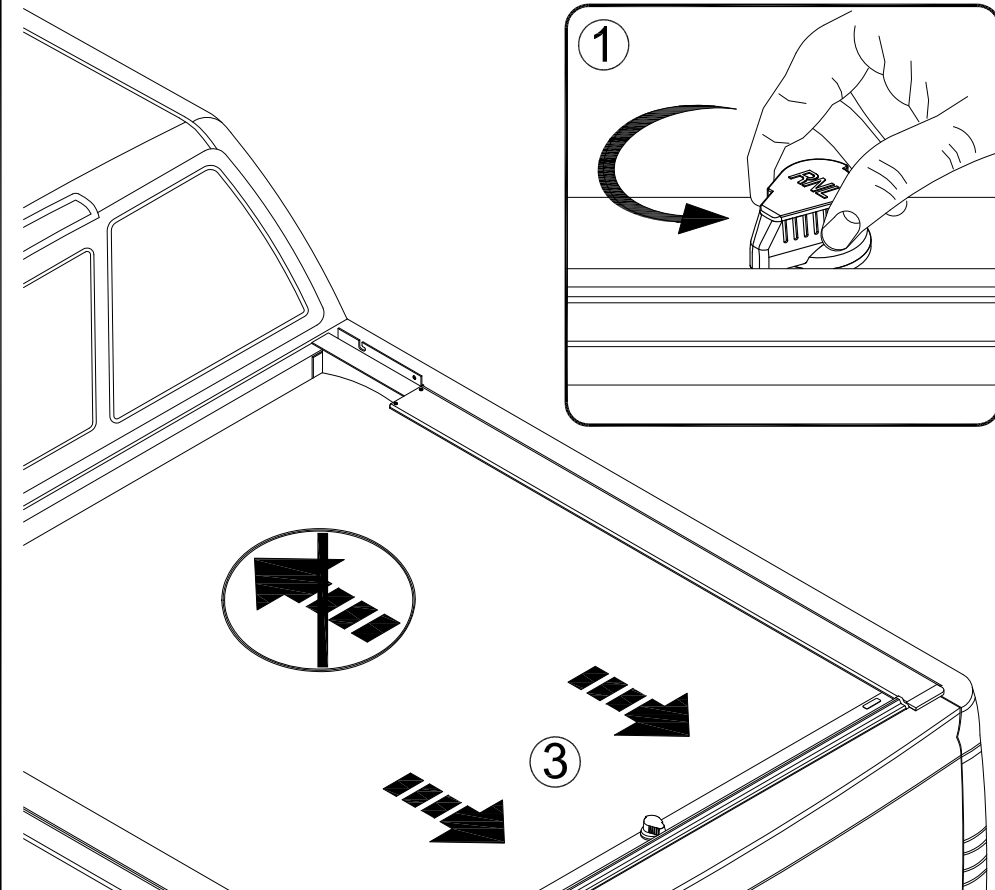
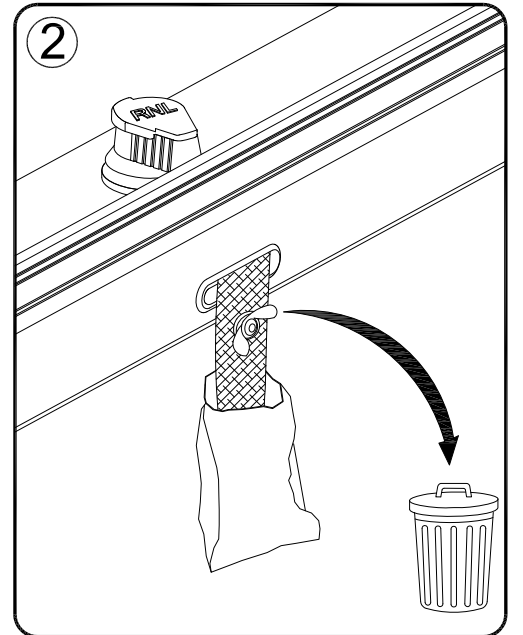
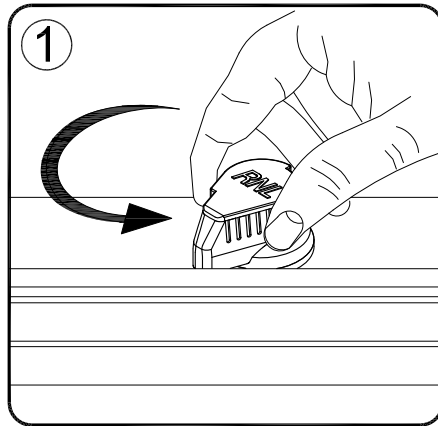
8 LHS = RHS



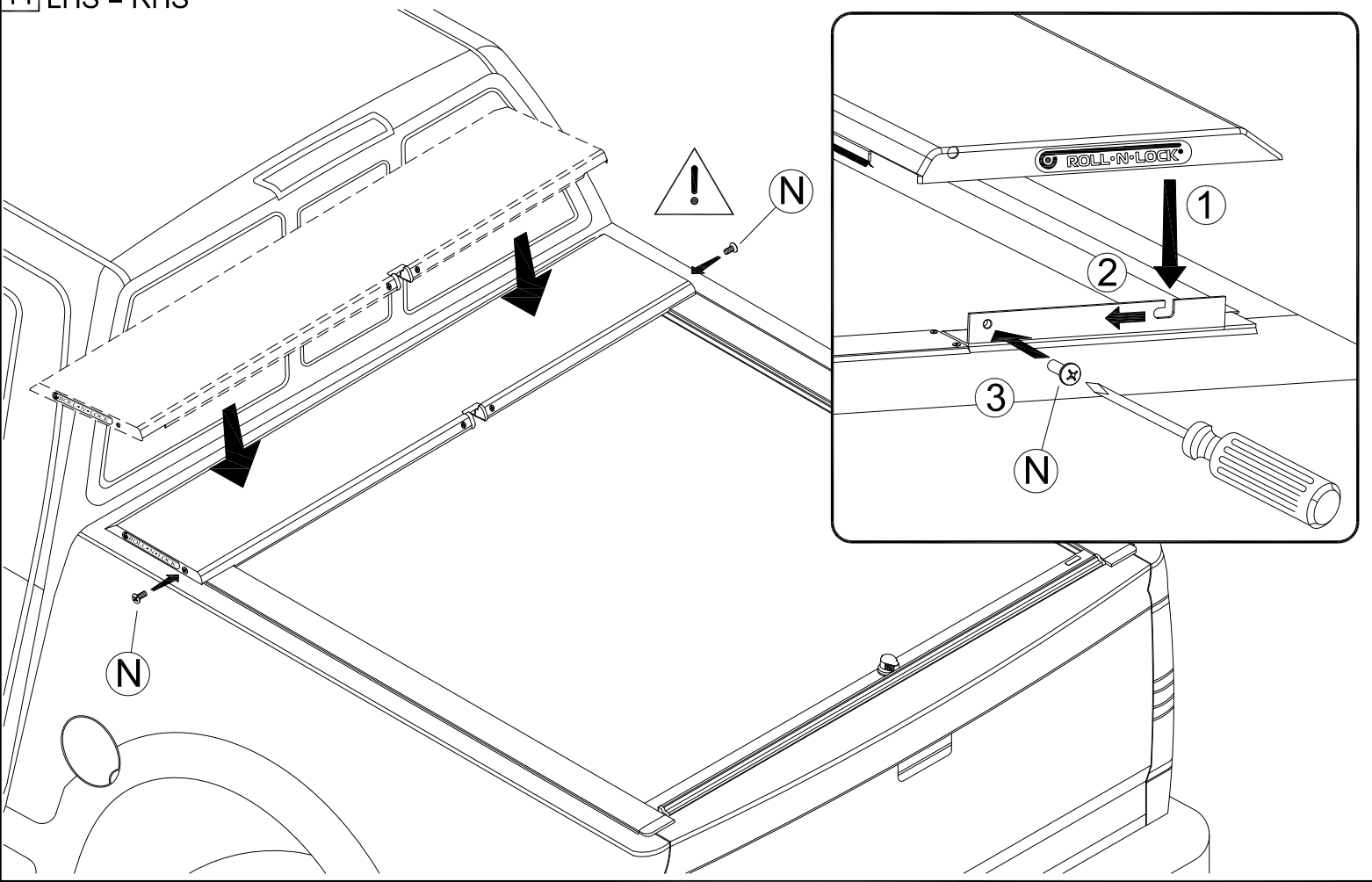
9 LHS = RHS



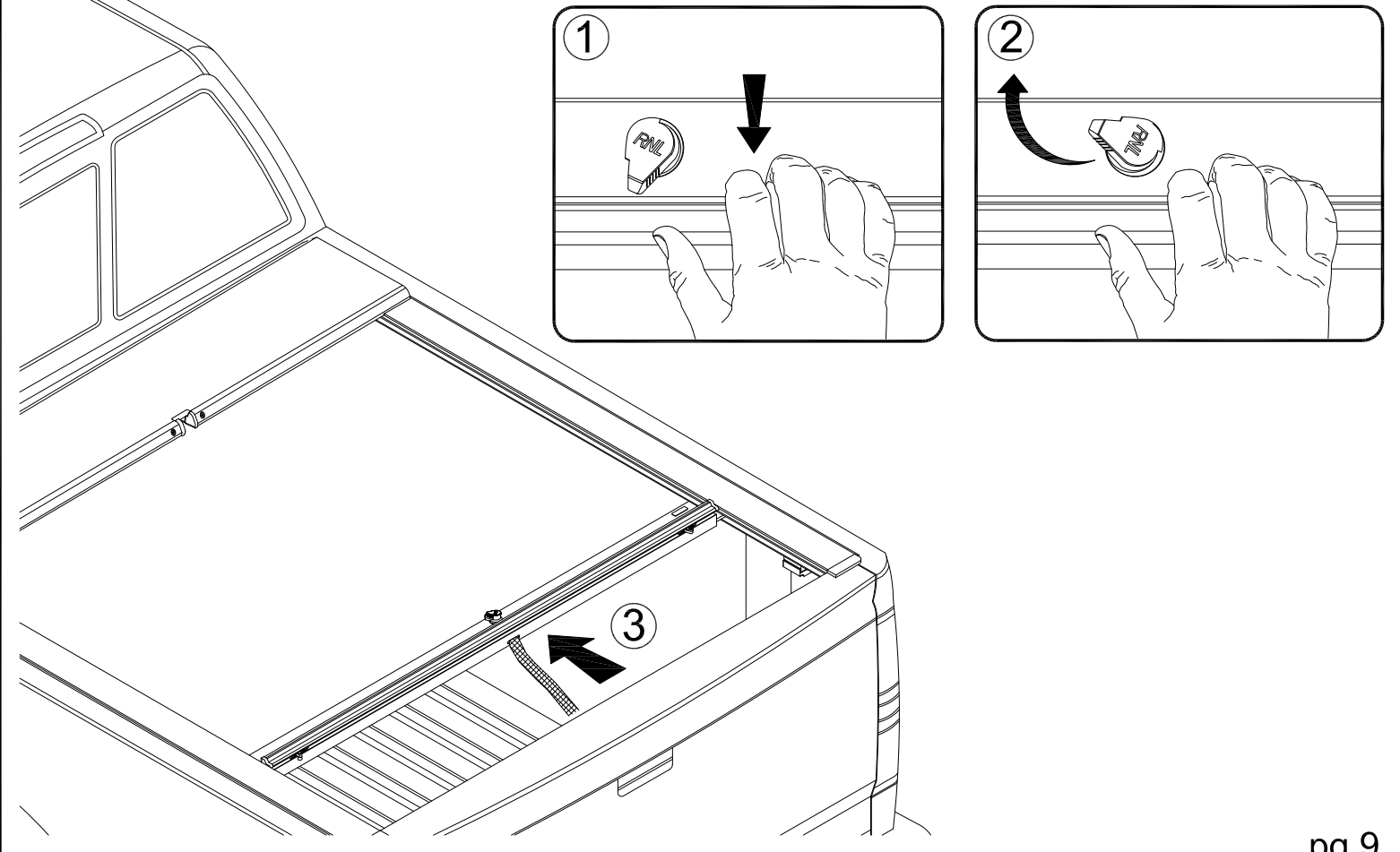
10 LHS = RHS



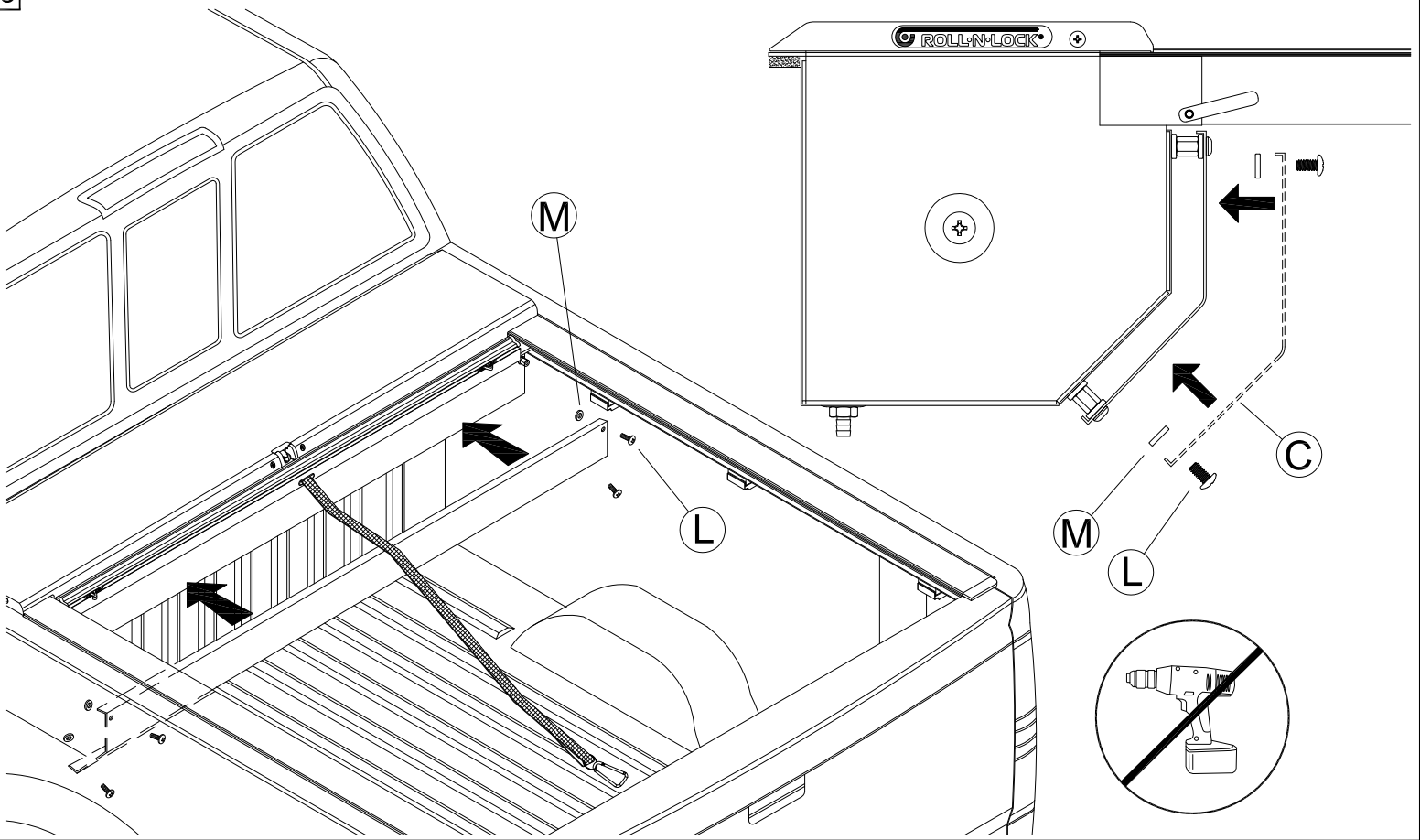
11 LHS = RHS



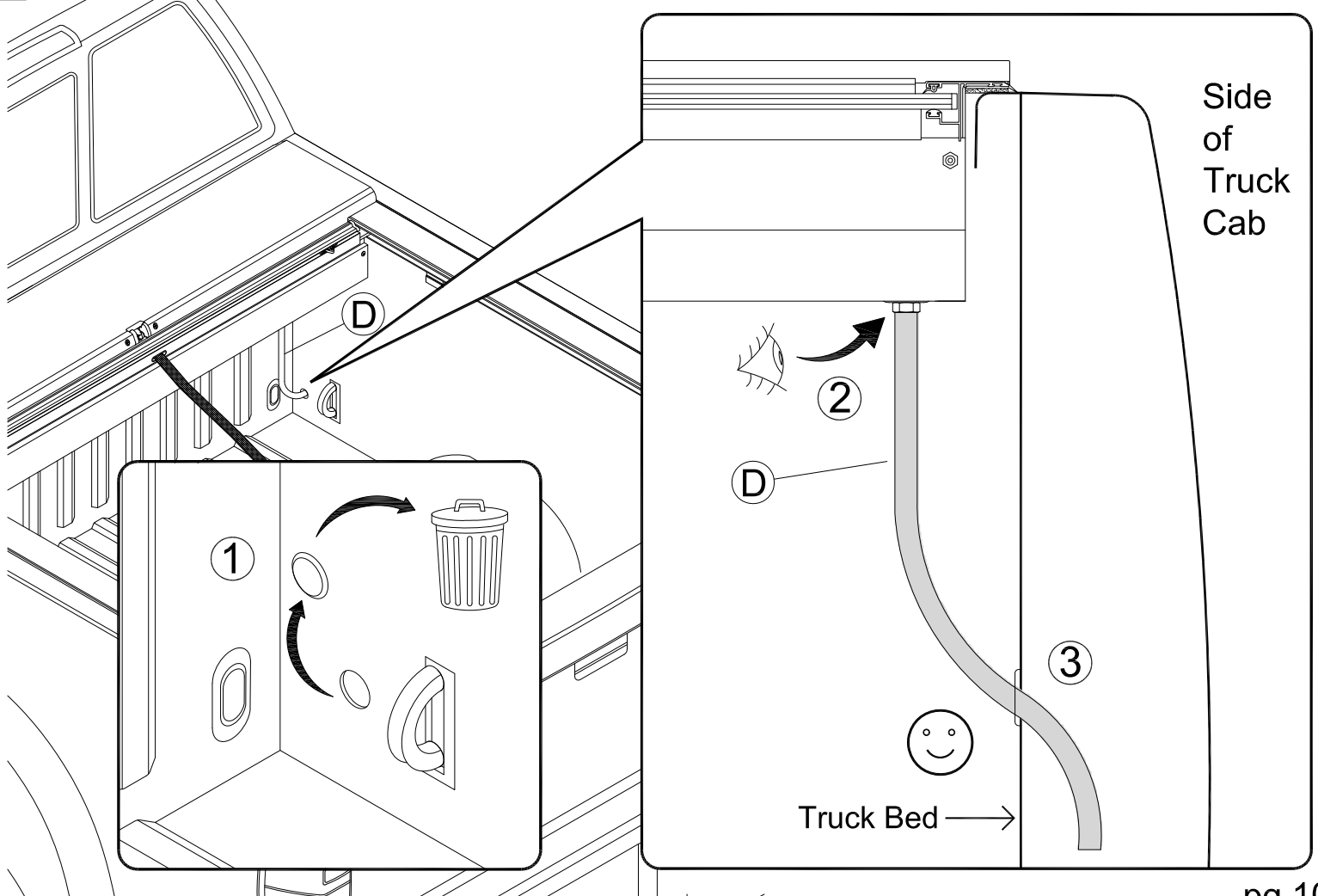
12 LHS = RHS

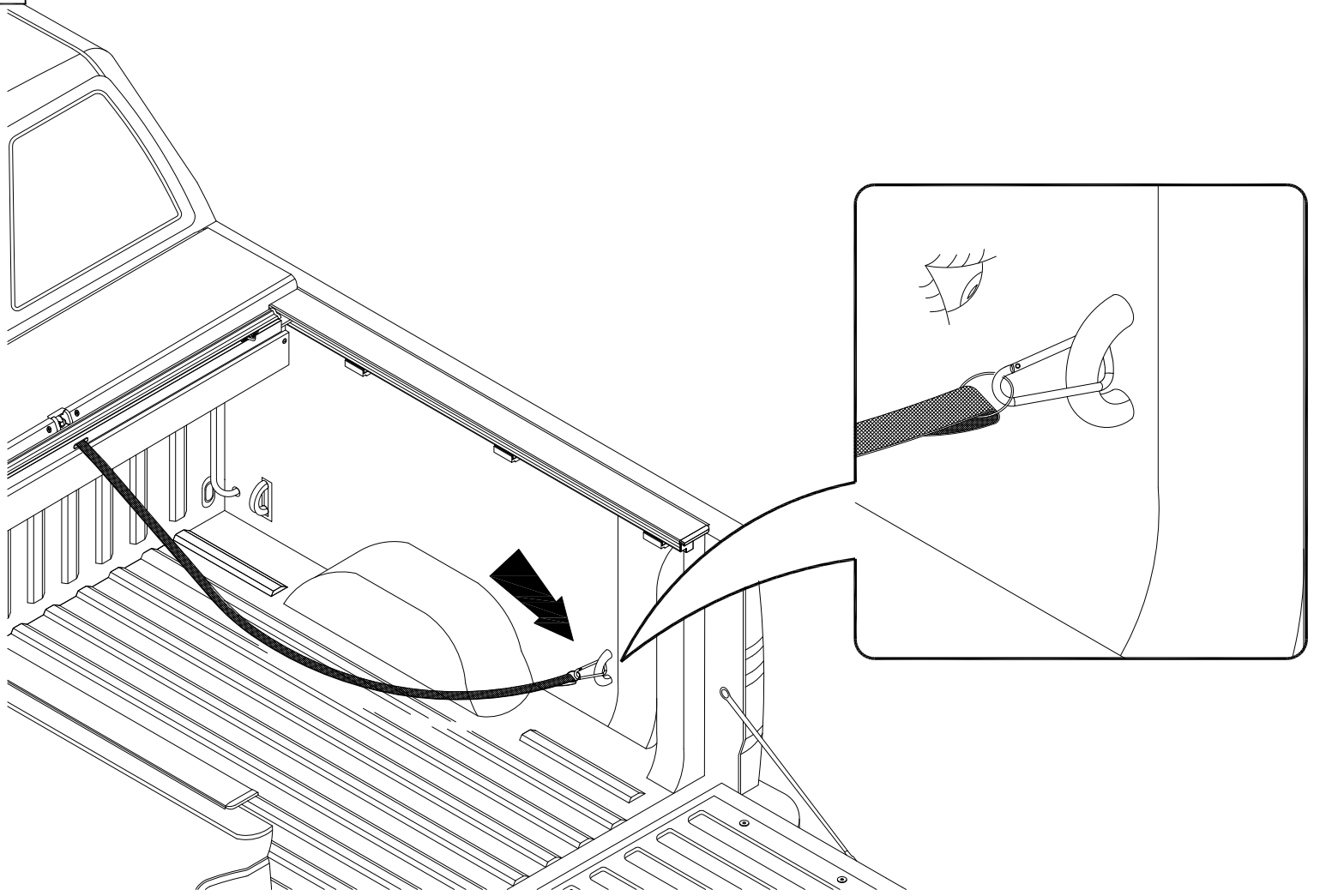


13



14 LHS = RHS





**ROLL•N•LOCK®**

Any questions please call Roll•N•Lock  
Customer Service at 800-952-7655 or [rollinlock.com](http://rollinlock.com)