



# INSTALLATION INSTRUCTIONS

#189 Flip-Up License Plate Holder

Please read and fill out the enclosed warranty registration card to activate your warranty.

## Parts Checklist



#1 Flip-Up License Plate Holder

## #189 Shipping Package



#3.2 (2) 1/4" Phillips head screws



#3.3 (2) 1/4" washers



#3.4 (2) 1/4" Nylon lock nuts

## Tools required

- Snap Ring Pliers
- #2 Phillips Screwdriver
- 7/16" wrench

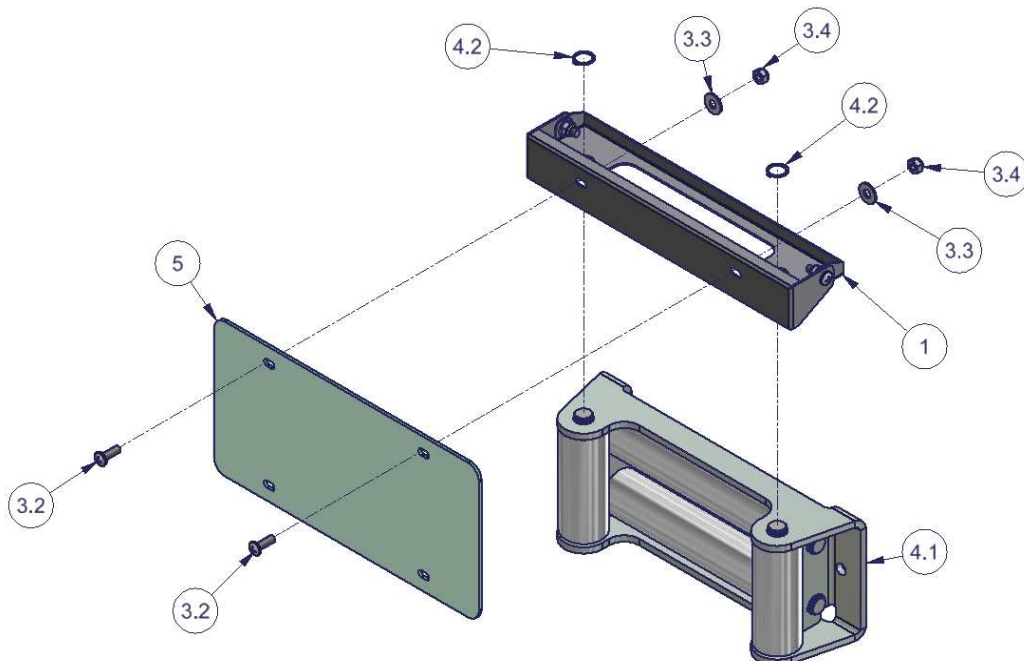
## ATTENTION:

- ***THIS FLIP-UP LICENSE PLATE HOLDER WAS DESIGNED TO WORK WITH STANDARD ROLLER-STYLE WINCH FAIRLEADS.***

## Mounting Directions

1. Using appropriate snap ring pliers, remove the (2) #4.2 external snap rings at the top of your roller fairlead (not included). Install the #1 Flip-Up License Plate Holder onto the roller fairlead vertical pins as illustrated. Re-Install the (2) #4.2 snap rings. (Figure 1)
2. Install your license plate onto the #1 Flip-Up License Plate Holder and fasten with the supplied #3.2 screws, #3.3 washers, and #3.4 nuts. (Figure 1)

FIGURE 1



Call (970) 564-1762 for Technical Support

Page 1 of 1 – 09/26/2011 – Rev092611