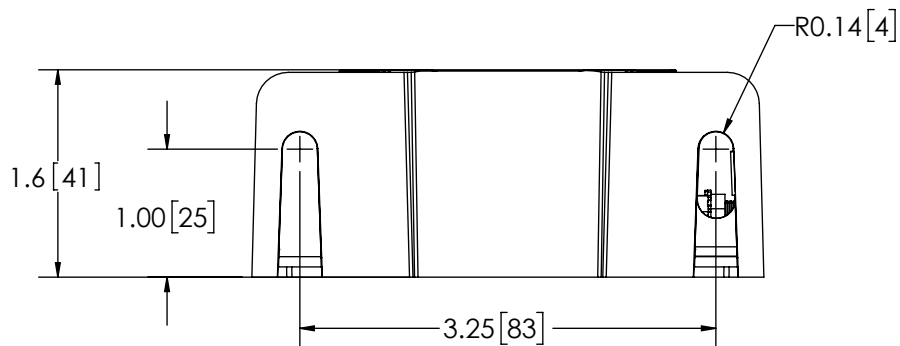
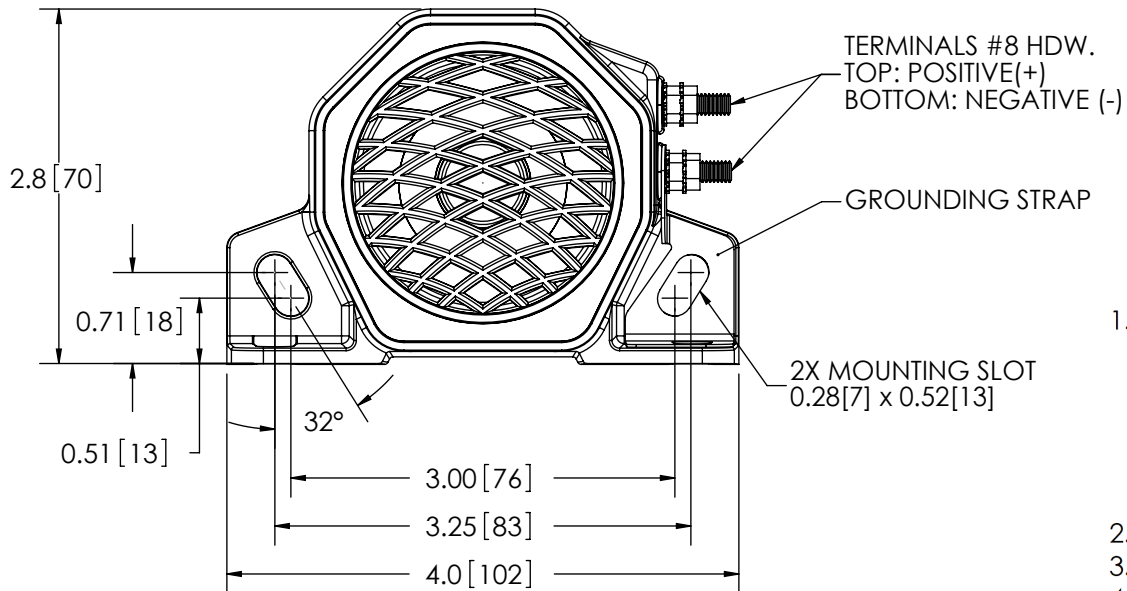


REVISION HISTORY		
REV.	DESCRIPTION	DATE
F	CHANGED HOUSING PER P3# 03026	2003-09-05
G	REVISE PER P10014	2012-11-06
H	REVISED	2012-11-06




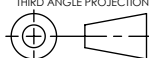
### SPECIFICATIONS

- CERTIFICATIONS: **CE**; **UL**; e; AMECA/SAE J994 (MAR. 2009) TYPE D;

Note: Unique components, accessories, and hardware kits are not typically included in the Product Certification Test Protocols. Unless otherwise Specified, the Product Certifications referred to herein are predicated upon the base product model configuration.

- SOUND PRESSURE LEVEL: 87 ± 4 dB (A) @ 1.2m (4ft)
- VOLTAGE (NOMINAL): 12 to 24 VDC
- VOLTAGE (EXTREME): 9.0 to 32.0 VDC
- CURRENT (PEAK): 0.1 A (@ 12 VDC NOMINAL)
- POWER (MAXIMUM): 2 W (@ 12 VDC NOMINAL)
- TEMPERATURE RANGE: -40°F (-40°C) TO 185°F (85°C)
- FREQUENCY: 700 to 2800 Hz
- CONNECTION: 8 - 32 UNI STUD CONNECTION
- RECOMMENDED MOUNTING: 1/4 - 20 UNC, GRADE 5 OR BETTER, 1/4" TYPE A, SERIES N OR W WASHER
- HOUSING MATERIAL: GLASS FILLED NYLON
- PRODUCT WEIGHT: 0.8 LBS (0.36 Kg)

NOTES:  
1. DIMENSIONS IN INCHES[MILLIMETERS (FOR REFERENCE)]

SCALE 1:1.5		APPROVALS	DATE	 <b>Electronic Controls Co.</b> 833 West Diamond Street, Boise, ID 83705 800-635-5900 www.eccolink.com
CAD GENERATED DRAWING DO NOT MANUALLY UPDATE. MODEL REFERENCED:F		DRAWN BY BND	2012-10-30	
TOLERANCES ARE IN INCHES, AND MILLIMETERS TOLERANCES ARE:		CHECKED MDH	2012-10-31	
MILLIMETERS DECIMALS XX. ± 1.0mm XX.X ± 0.5mm		MECH. ENG. JLA	2012-10-30	
INCHES DECIMALS X.X ± 0.1 X.XX ± 0.04 X.XXX ± 0.02		ELEC. ENG. JES	2012-10-31	<b>ALARM, BACK-UP, 87DBA, 12-24VDC</b>
ANGLES ± 0.5° FRACTIONS ± 1/64		TEST ENG. JRT	2012-11-01	
THIRD ANGLE PROJECTION		SALES. DEH	2012-11-05	CUSTOMER PART NO. <b>505</b>
		SIZE: A    DWG. NO. <b>505</b> REV. <b>H</b>		PRODUCT SERIES: <b>500</b>
NON DISCLOSURE AGREEMENT		Electronically Controlled Use Latest Copy		SHEET 1 OF 1    Project: CR# 602    Date Created: 2000-11-21

THIS DRAWING AND THE DESIGN IT DISCLOSES ARE THE PRIVATE PROPERTY OF ECCO AND IS ISSUED IN CONFIDENCE FOR ENGINEERING INFORMATION ONLY. THE DRAWING AND / OR DESIGN MAY NOT BE USED, COPIED, REPRODUCED, OR OTHERWISE DISCLOSED IN PART OR AS A WHOLE TO OUTSIDERS OR USED FOR ANY OTHER PURPOSE WITHOUT THE PRIOR WRITTEN CONSENT OF ECCO. THE DRAWING IS SUBJECT TO RECALL AT ANY TIME. YOUR POSSESSION OF THIS DOCUMENT CONSTITUTES ACCEPTANCE OF THESE TERMS. © 2002 ECCO