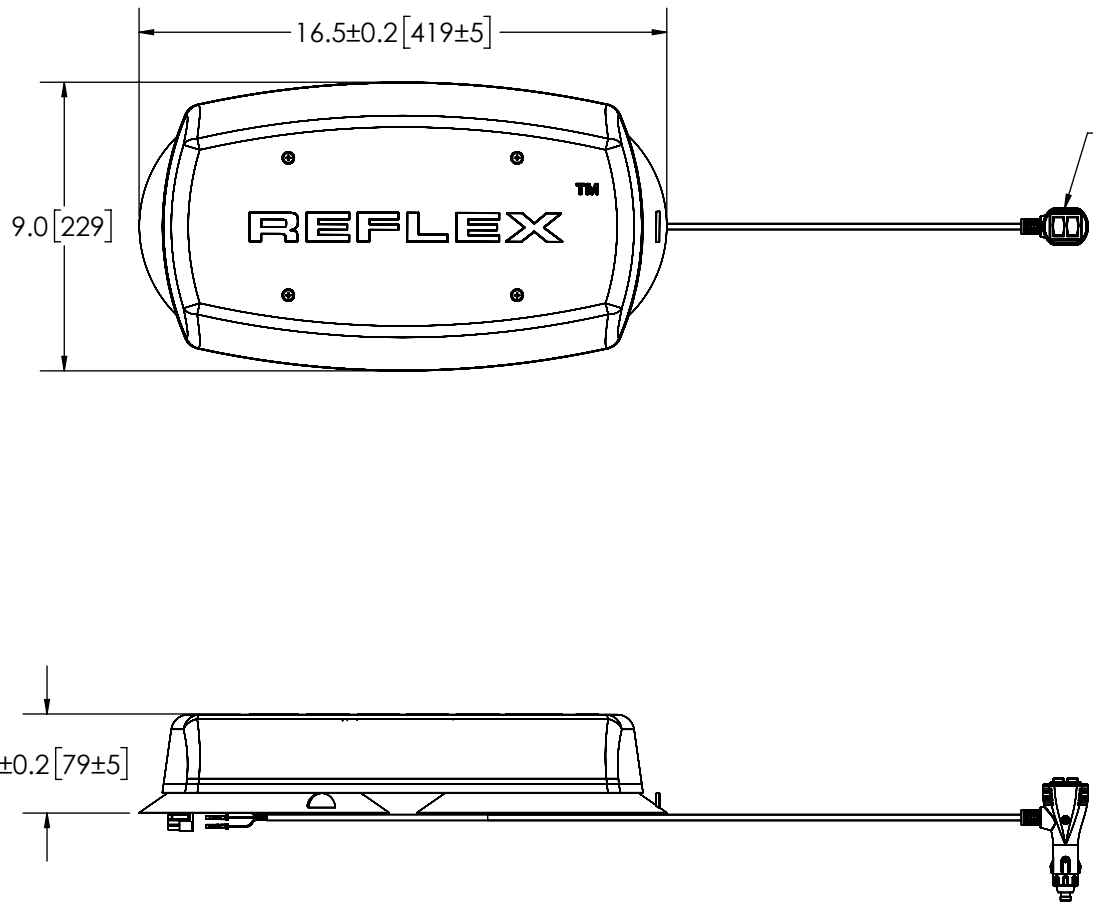


REVISION HISTORY		
REV.	DESCRIPTION	DATE
06	REVISED PER P11002	2013-07-16
A	INITIAL RELEASE PER P11002	2013-08-19
B	REVISED PER	2019-02-13




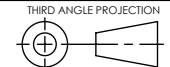
15'[4572] CORD W/DUAL SWITCH LIGHTER ADAPTER

SPECIFICATIONS

- CERTIFICATIONS: **CE**; ECE R10; SEE CHART; IP-35C For a Category 2 Enclosure
 Note: Unique components, accessories, and hardware kits are not typically included in the Product Certification Test Protocols. Unless otherwise Specified, the Product Certifications referred to herein are predicated upon the base product model configuration.
- FLASH MODE: DOUBLE : 75 ± 5 FLASHES PER MINUTE
 QUAD : 75 ± 5 FLASHES PER MINUTE
 QUINT : 75 ± 5 FLASHES PER MINUTE
- VOLTAGE (NOMINAL): 12 to 24 VDC
- VOLTAGE (EXTREME): 9.0 to 32.0 VDC
- CURRENT (PEAK): 6A (@ 12 VDC NOMINAL)
- POWER (MAXIMUM): 76.8W (@ 12 VDC NOMINAL)
- TEMPERATURE RANGE: -22°F (-30°C) TO 122°F (50°C)
- CONNECTION: 15' CORD W/DUAL SWITCH LIGHTER ADAPTER
- MOUNTING: VACUUM/MAGNET MOUNT
- BASE MATERIAL: POLYCARBONATE
- LENS MATERIAL: POLYCARBONATE
- PRODUCT WEIGHT: 5.7 LBS (2.57 Kg)

FGS PRODUCT CHART					
FGS. NO.	COLOR	CURRENT(PEAK)	POWER(MAX.)	SAE J845	CA. TITLE 13
5590CA-VM	YELLOW (AMBER)	6.00A	76.8W	CLASS 1	CLASS B
5590CB-VM	BLUE	5.56A	71.2W	CLASS 1	CLASS C
5590CC-VM	CLEAR	6.00A	76.8W	CLASS 1	N/A
5590CG-VM	GREEN	4.34A	55.6W	N/A	N/A
5590CR-VM	RED	7.1A	90.6W	CLASS 1	CLASS B

- NOTES:
 1. ROHS COMPLIANT
 2. DIMENSIONS IN INCHES[MILLIMETERS (FOR REFERENCE)]

SCALE 1:6		APPROVALS	DATE
CAD GENERATED DRAWING DO NOT MANUALLY UPDATE. MODEL REFERENCED: A		DRAWN BY	2017-04-19
TOLERANCES ARE IN INCHES, AND MILLIMETERS TOLERANCES UNLESS OTHERWISE STATED ARE:		CHECKED ABD	2017-04-20
MILLIMETERS DECIMALS XX. ± 1.0mm XX.X ± 0.5mm	INCHES DECIMALS X.X ± 0.1 X.XX ± 0.04 X.XXX ± 0.02	MECH. ENG.	
		ELEC. ENG.	
		TEST ENG. JRT	2017-04-21
		SALES.	
THIRD ANGLE PROJECTION		 ECCO ® www.eccolink.com Americas (800) 635-5900 Europe +44 (0)113 237 5340 Asia Pacific +61 (0)3 63322444 LED MINIBAR, 8 HEAD, 12-24VDC, C1, VM	
		CUSTOMER PART NO. SEE CHART	
		PRODUCT SERIES: 5500	
NON DISCLOSURE AGREEMENT		SIZE: A	DWG. NO. 5590CX-VM
THIS DRAWING AND THE DESIGN IT DISCLOSES ARE THE PRIVATE PROPERTY OF ELECTRONIC CONTROLS CO. AND IS ISSUED IN CONFIDENCE FOR ENGINEERING INFORMATION ONLY. THE DRAWING AND / OR DESIGN MAY NOT BE USED, COPIED, REPRODUCED, OR OTHERWISE DISCLOSED IN PART OR AS A WHOLE TO OUTSIDERS OR USED FOR ANY OTHER PURPOSE WITHOUT THE PRIOR WRITTEN CONSENT OF ELECTRONIC CONTROLS CO. THE DRAWING IS SUBJECT TO RECALL AT ANY TIME. YOUR POSSESSION OF THIS DOCUMENT CONSTITUTES ACCEPTANCE OF THESE TERMS. © 2013 ELECTRONIC CONTROLS CO.		REV. B	
		Electronically Controlled Use Latest Copy SHEET 1 OF 1 Project: P11002 Date Created: 2013-03-04	