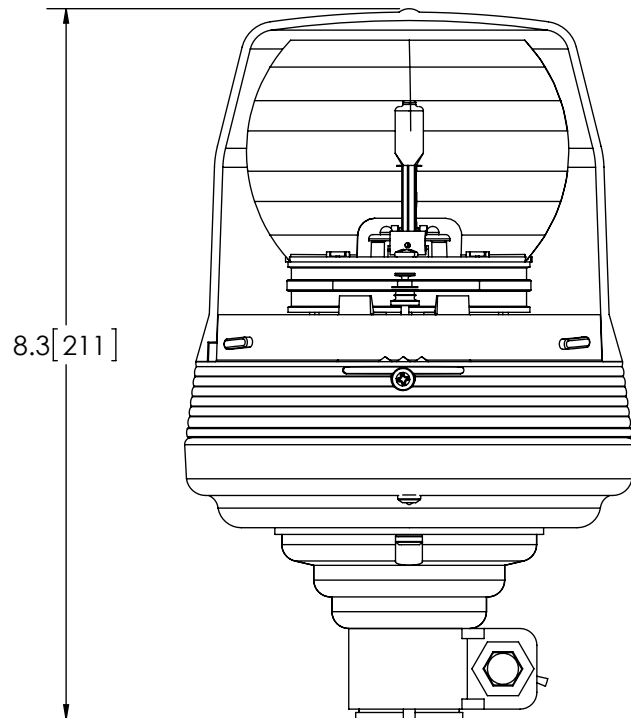



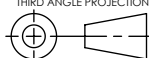
REVISION HISTORY		
REV.	DESCRIPTION	DATE
C	REVISE PER LM12218	2014-07-30
D	REVISE PER LM12218	2014-08-27
E	REVISE PER LM12218	2015-08-17

FGS PRODUCT CHART			
PRODUCT P/N	LENS COLOR	SAE J845	R65
5810A	AMBER	CLASS 1	X
5810B	BLUE	CLASS 1	N/A
5810R	RED	CLASS 1	N/A

SPECIFICATIONS

- CERTIFICATIONS: ECE R10; SAE J845 (JUN 2013) CLASS 1; YELLOW; Reg 65 CertE11 65R-000060; IP54
 Note: Unique components, accessories, and hardware kits are not typically included in the Product Certification Test Protocols. Unless otherwise Specified, the Product Certifications referred to herein are predicated upon the base product model configuration.
- FLASH MODE: ROTATE : 195 ± 5 FLASHES PER MINUTE
- VOLTAGE (NOMINAL): 12 VDC
- VOLTAGE (EXTREME): 9.0 to 16.0 VDC
- CURRENT (PEAK): 4.9A (@ 12 VDC NOMINAL)
- POWER (MAXIMUM): 63.0W (@ 12 VDC NOMINAL)
- TEMPERATURE RANGE: -22°F (-30°C) TO 122°F (50°C)
- CONNECTION: POLE/DIN # 72591
- MOUNTING: FLEXI DIN POLE MOUNT (DIN # 72591)
- BASE MATERIAL: POLYCARBONATE
- LENS MATERIAL: POLYCARBONATE
- PRODUCT WEIGHT: 1.5 LBS (0.68 Kg)



SCALE 1:2.25		APPROVALS	DATE	 www.eccolink.com
CAD GENERATED DRAWING DO NOT MANUALLY UPDATE. MODEL REFERENCED:D		DRAWN BY ABD	2015-08-12	
TOLERANCES ARE IN INCHES, AND MILLIMETERS TOLERANCES UNLESS OTHERWISE STATED ARE:		CHECKED ABB	2015-08-13	
MILLIMETERS DECIMALS XX. ± 1.0mm XX.X ± 0.5mm	INCHES DECIMALS X.X ± 0.1 X.XX ± 0.04 X.XXX ± 0.02	MECH. ENG. KLR	2015-08-13	ROTO, 12V, FLEXI POLE/DIN MNT
	ANGLES ± 0.5° FRACTIONS ± 1/64	ELEC. ENG. TJT	2015-08-12	
		TEST ENG. JRT	2015-08-14	CUSTOMER PART NO. SEE CHART
		SALES. LAT	2015-08-12	PRODUCT SERIES: 5800
NON DISCLOSURE AGREEMENT <small>THIS DRAWING AND THE DESIGN IT DISCLOSES ARE THE PRIVATE PROPERTY OF ESG AND IS ISSUED IN CONFIDENCE FOR ENGINEERING INFORMATION ONLY. THE DRAWING AND / OR DESIGN MAY NOT BE USED, COPIED, REPRODUCED, OR OTHERWISE DISCLOSED IN PART OR AS A WHOLE TO OUTSIDERS OR USED FOR ANY OTHER PURPOSE WITHOUT THE PRIOR WRITTEN CONSENT OF ESG. THE DRAWING IS SUBJECT TO RECALL AT ANY TIME. YOUR POSSESSION OF THIS DOCUMENT CONSTITUTES ACCEPTANCE OF THESE TERMS. © 2004 ECCO</small>		THIRD ANGLE PROJECTION 		SIZE: A DWG. NO. 5810X SHEET 1 OF 1 Project: CR# 1576 Date Created: 2004-06-30
		Electronically Controlled Use Latest Copy		REV. E

NOTES:
1. DIMENSIONS IN INCHES [MILLIMETERS (FOR REFERENCE)]