





Assembly overview.....	2
1. Frame inspection.....	3
2. Headset installation.....	4
3. Cable housing installation.....	5-7
4. Electronic drive-train cable housing installation.....	8-12
5. Saddle adjustment.....	13-14
6. Derailleur hanger adjustment.....	15

For the warranty to be valid, the bicycle must be fully assembled by an authorized Argon 18 dealer. High-end components, particularly carbon parts, need extra care when assembled. Those components must be installed using a calibrated torque wrench to make sure every bolt is at the right torque setting to prevent damage.



1. Frame inspection



2. Headset installation



3. Cable housing installation

IMPORTANT NOTICE: It is easier to install the cables and cable housings before the bearings.



4. Electronic drive-train cable routing specification



5. Seatpost installation



6. Derailleur hanger adjustment



When assembling a new frame, be sure to check if the following parts are assembled correctly.

Parts installed on the frame Description			Screw type	Tork Nm	Detail
1	Seatpost, Ø 31.6mm	Seatpost			Carbon paste
2	Front derailleur hanger	Screw	3mm	3Nm	Loctite
3	Rear derailleur hanger	Screw (2)	3mm	4Nm	Loctite
4	Bottle cage	Screw (4)	4mm	3Nm	Grease
5	Seatpost collar	Clamp	4mm	6Nm	Grease
6	Rear derailleur cable stopper	Screw (2)	2mm	2Nm	Loctite
7	Bottom bracket cable guide	Screw	5mm	3Nm	Grease

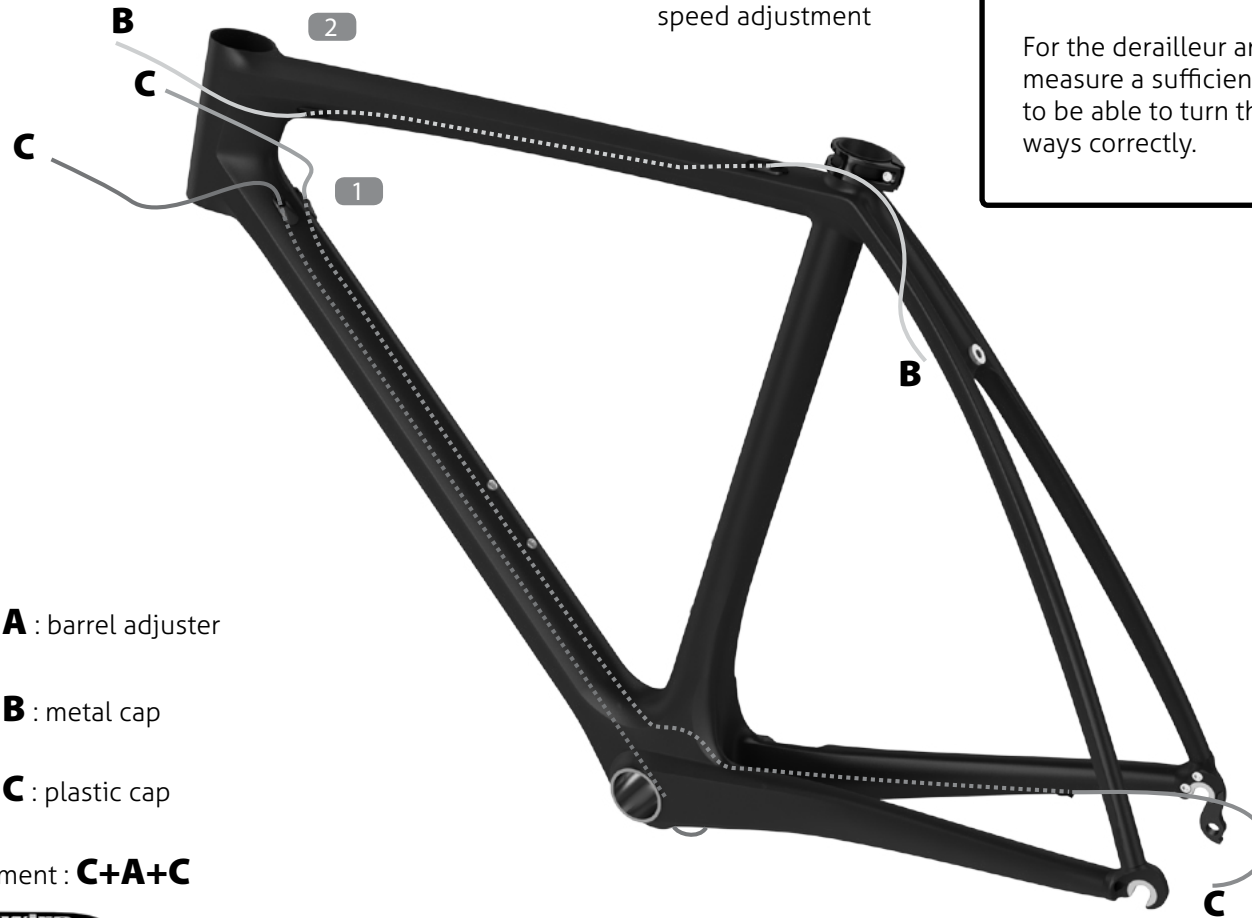


Install the 3D headset (6) according to the 3D headset assembly guide. You can choose from 3 different heights : 25mm, 15mm or 0mm.



speed adjustment

1. Install the front and rear derailleur cable starting at the head tube.
 2. Install the rear brake cable starting at the head tube.
- For the derailleur and brake housing, measure a sufficient length of housing to be able to turn the handlebar both ways correctly.



A : barrel adjuster



B : metal cap



C : plastic cap

speed adjustment : **C+A+C**





Rear brake cable housing

Remove the 2 cable stoppers near the head tube and seat collar.

Front section: Measure the necessary cable housing to ensure proper rotation of the handlebar. Insert the cable through the shifter, then insert the cable housing in the top tube.

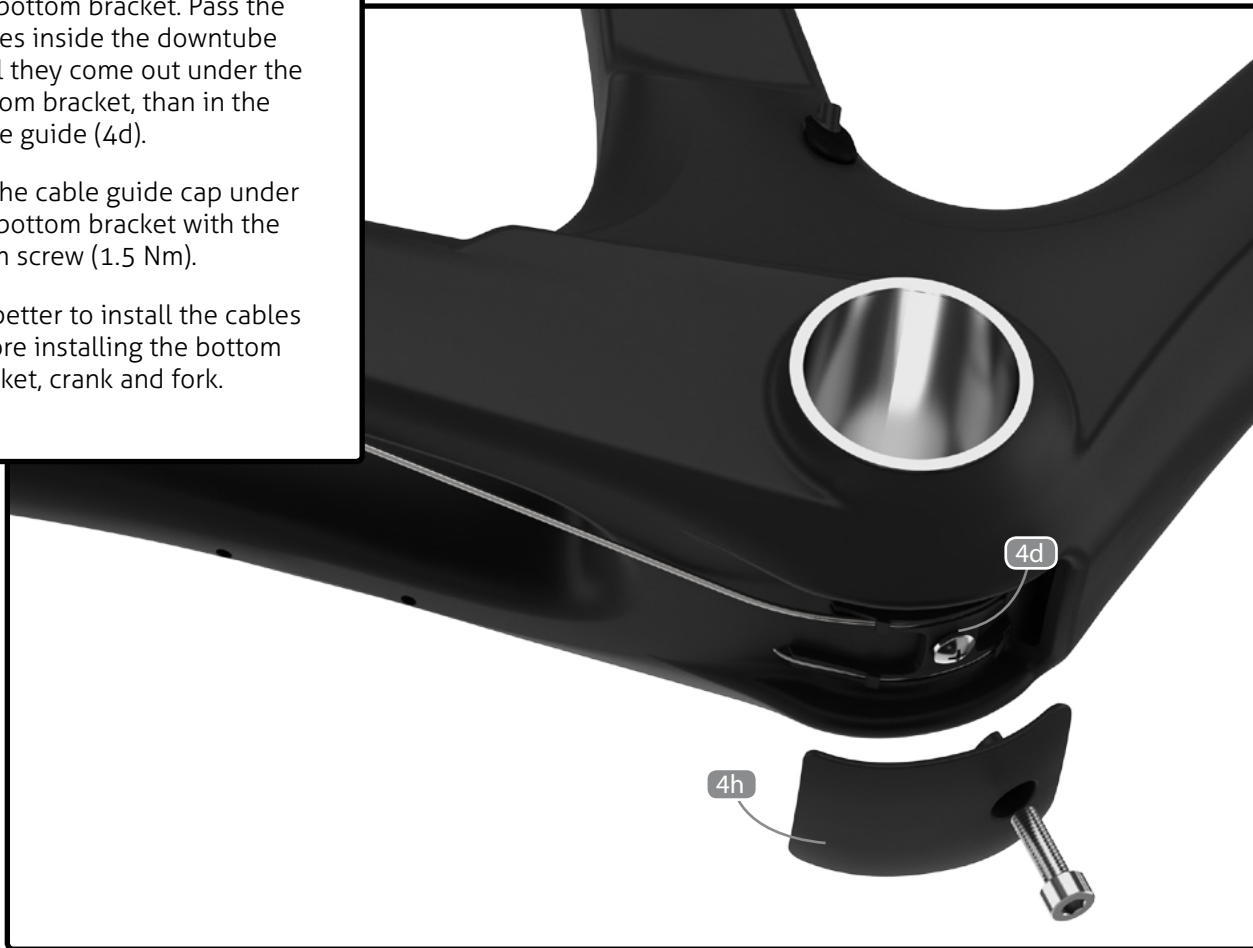
Rear section: With a magnet, get the rear brake cable out of the frame, and pass it through the rear cable stopper. Measure the rear housing correctly to avoid interference with the rider's left leg. Fix the cable to the brake according to the brake manufacturer assembly guide.

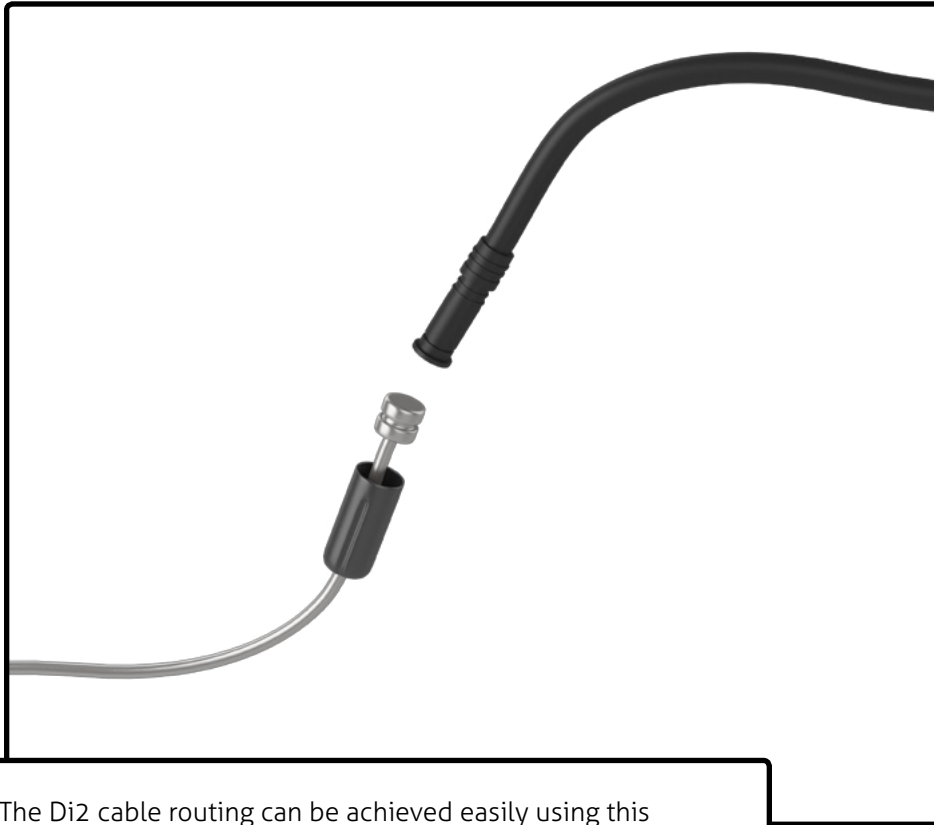


Front & rear derailleur: Remove the cable guide cap (4h) under the bottom bracket. Pass the cables inside the downtube until they come out under the bottom bracket, then in the cable guide (4d).

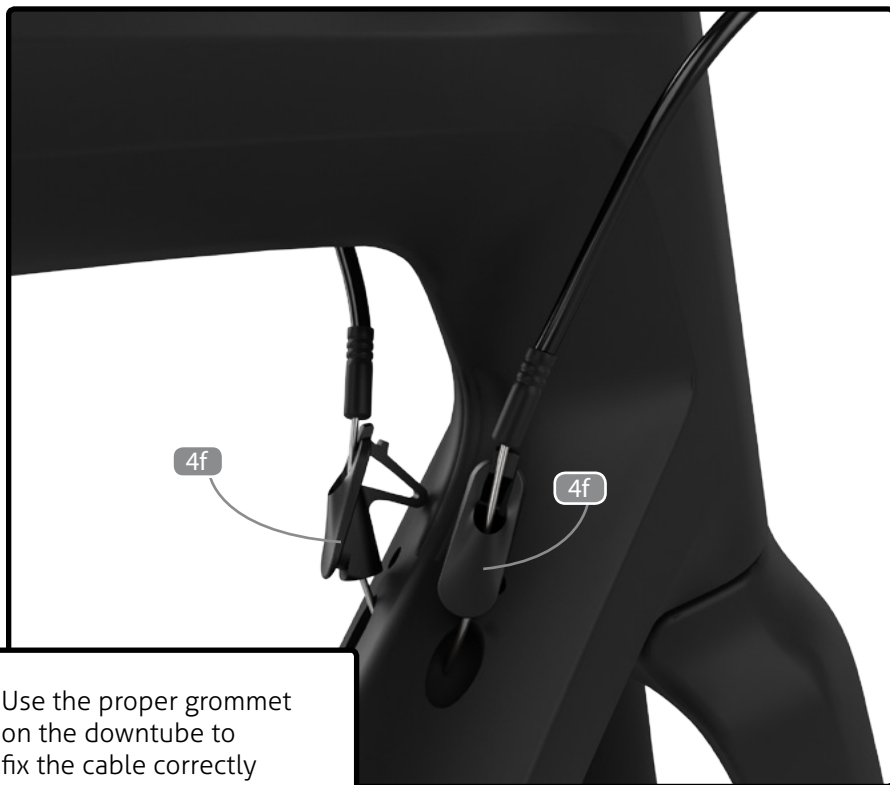
Fix the cable guide cap under the bottom bracket with the 5mm screw (1.5 Nm).

It's better to install the cables before installing the bottom bracket, crank and fork.





The Di2 cable routing can be achieved easily using this simple trick: use a brake cable and a metal cable end to fix the Di2 cable. For more information on Shimano Di2 electronic system installation, go to : <http://si.shimano.com>.



Use the proper grommet on the downtube to fix the cable correctly (depending if you use the mechanical or electronic drive-train).

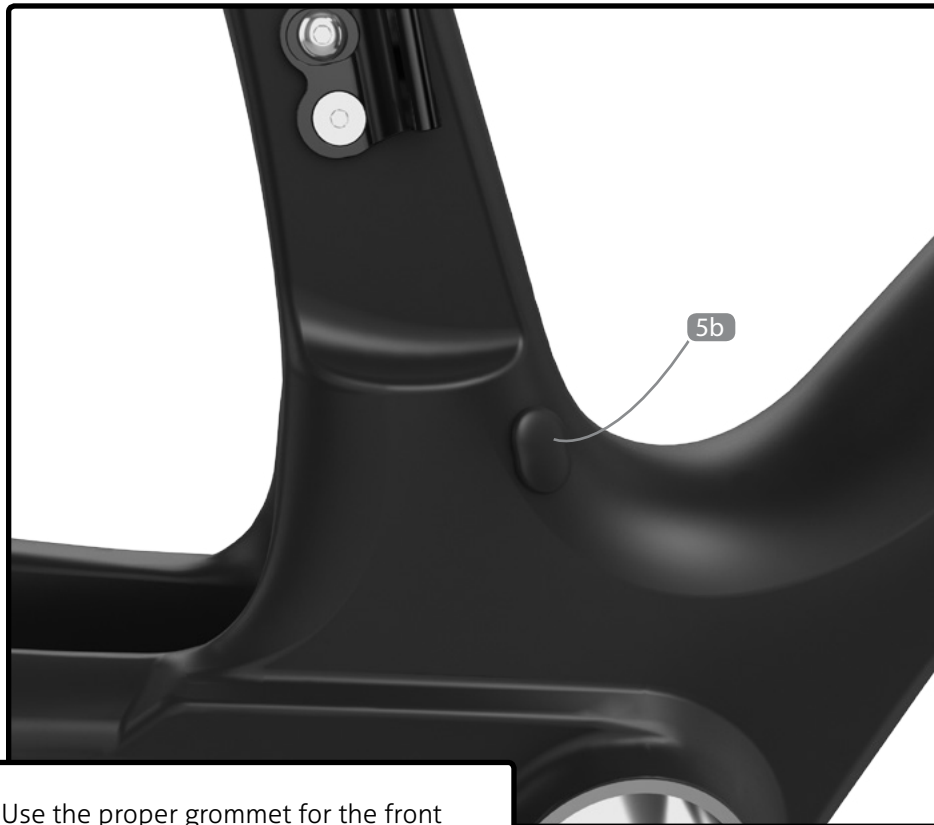




4g

Use the cable stopper (4g) for the rear derailleur cable if you use mechanical drive-train.

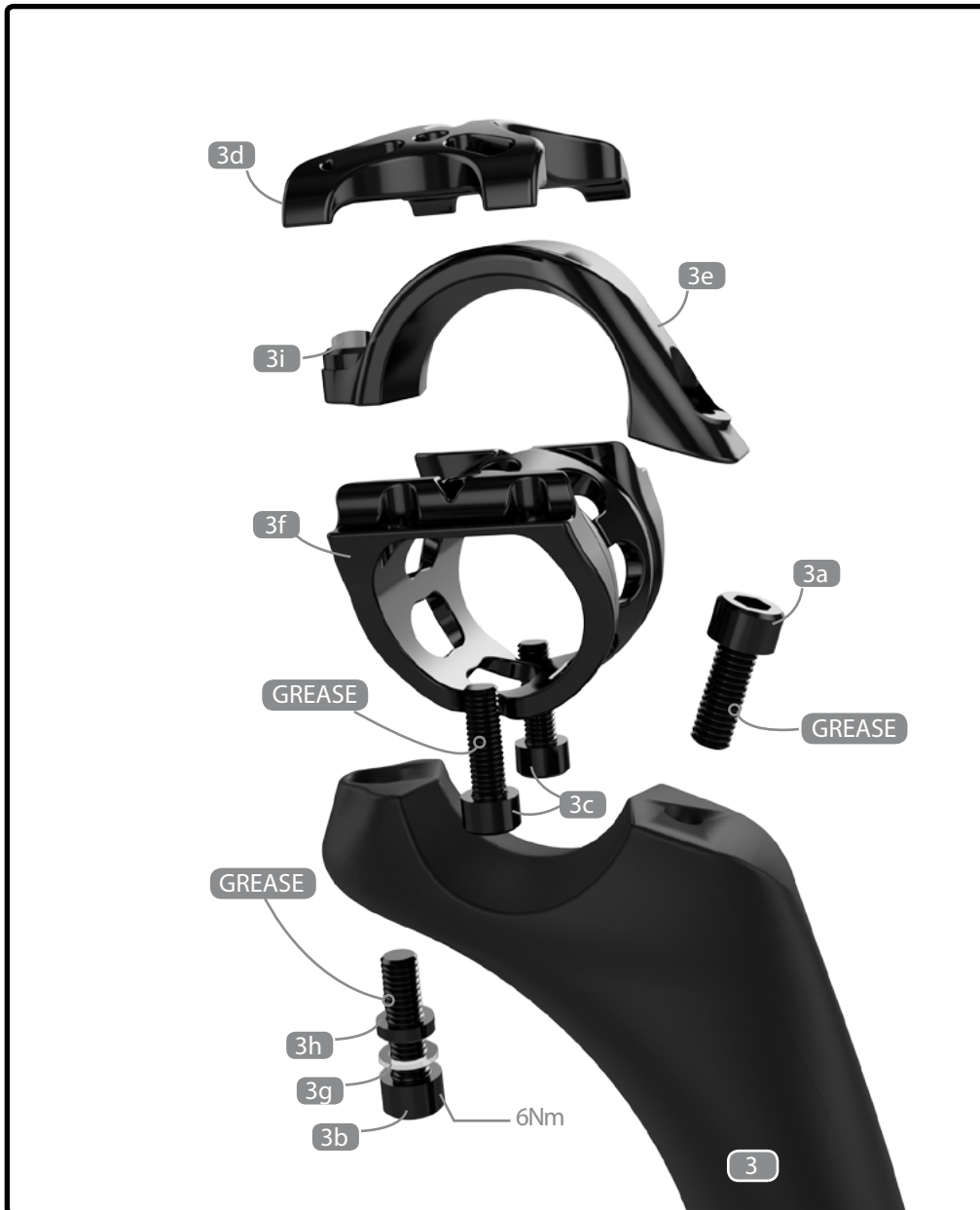
In a Di2 configuration, remove the cable stopper and replace the 2 screws to avoid empty holes on the frame. The Di2 cable is routed inside the chainstay



Use the proper grommet for the front derailleur (depending if you use the mechanical or electronic drive-train).



The Di2 battery is hidden in the seatpost, use the 2 battery holders (8) to fix the battery correctly. Apply a slight amount of grease on both parts.



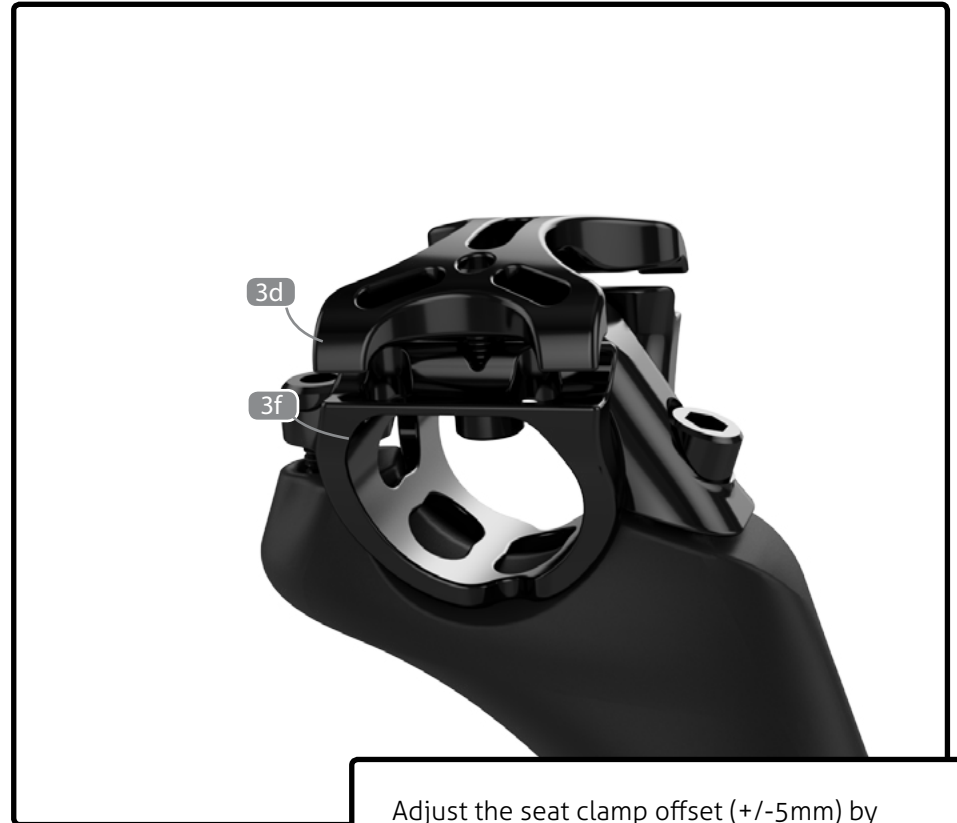
1. Install the saddle on the rocker (3f) and slightly tighten the rail clamp (3d) using a ball end hex key using the screws 3c.

2. Tighten the upper screw of the rocker clamp (3a) by keeping a space of 2 to 3mm between the aluminum and carbon parts.

3. Adjust the angle of the saddle and tighten the lower screw (3b) of the rocker clamp (3e).

4. Adjust the saddle offset and finalize the tightening of the rail clamp (3d) with screw 3c.





Adjust the seat clamp offset (+/-5mm) by flipping the rail clamp (3d) and rocker (3f).



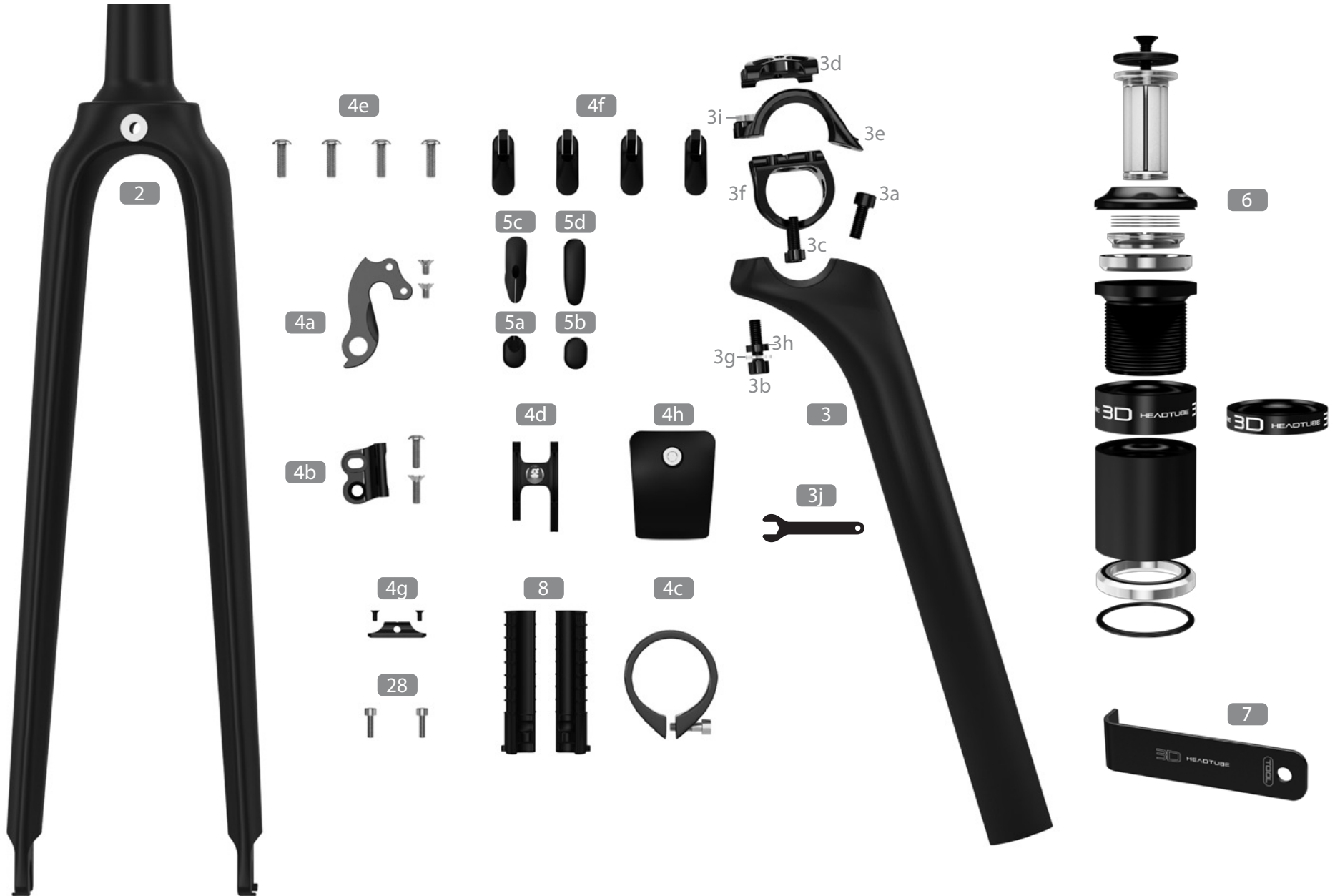
The front derailler hanger (4b) can be adjusted according to the front derailler angle in order to obtain an equal curve between the derailler and the big chain ring. Once at the right angle, use blue 242 Loctite and screw in at 6Nm.



LOCTITE

LOCTITE

4b



Images are for reference only. Proportions are not accurate.



No.	Name	A18 SKU#	Qty
# Frameset Parts			
1	Gallium frame		1
2	Gallium fork	FK.GALL.211A	1
# Seat post with the following parts assembled			
3	Gallium seat post (ASP-6000)	SP.GALL.211A	1
3a	Upper HexSocket screw		1
3b	LowerHexSocket screw		2
3c	HexSocket screws		1
3d	Top rail clamp		1
3e	Rocker clamp		1
3f	Rocker		1
3g	Stainless washer		1
3h	Black washer		1
3i	Nut		1
3j	8mm wrench for clamp rail holder	38543	1



No.	Name	A18 SKU#	Qty
# Parts installed on the frame			
4a	Rear derailleur hanger	37830	1
4b	Front derailleur hanger	36197	1
4c	Seat clamp with screw and washer	38256	1
4d	BB cable guide with screw	38261	1
4e	Screw for water bottle cage	38234	4
4f	Plastic cable stopper	38756	1
4g	Removable CS cable stopper	36682	1
4h	BB cover guide with screw	37460	1
# Di2 configuration specific parts			
5a	Di2 cable grommet	38251	1
5b	Mechanical FD grommet	38253	1
5c	Downtube Di2 grommet	38892	1
5d	Downtube Di2 grommet fille	38893	1
5e	Di2 configuration specific parts	36684	1
# Also included with the frameset - shipped separately			
6	Headset No. 62-5 + 3D with compressor TH-881-1	38757	1
7	3D headset tool	36165	1
8	Di2 battery holder	38889	1 set