



PROSERIES®
A New Era in Grill Guards is here.

2014 ULTIMATE ARIES PRODUCTS

2014 ULTIMATE ARIES PRODUCTS



aries3d.com • ariesjeep.com • ariesautomotive.com



Replacement Bumpers, Security Cargo Lid, Sidebars, Aluminum Doors, Tire Carrier, Roof Light Bar and more... [Page 18](#)

NEW 2014 PRODUCTS



CONTINUALLY RAISING THE BAR SINCE 1997.



Aries Automotive has been providing unparalleled aftermarket products with reliable service for 16 years. We've grown year after year by producing the latest designs in tubular steel, and aluminum.

ALUMALITE SERIES™ **GLOSTEP™**
PRO-SERIES™

4
3" BULL BARS



6
4" BIG HORN



8
THE ARIES BAR



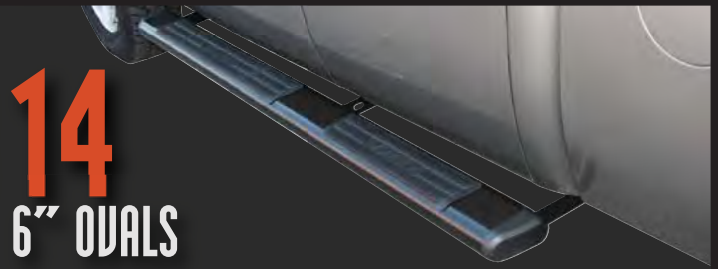
10
PRO SERIES



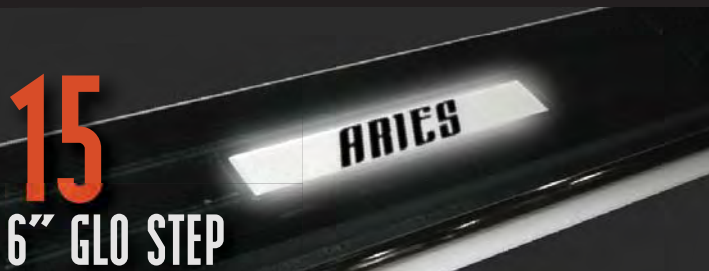
12
SPORTS BAR



13
PRO SERIES SIDES / 3" SIDES



14
6" OVALS



15
6" GLO STEP



16
4" OVALS

In addition, we have increased our customer support by providing operations throughout North America: Southern California, Mid Texas, Georgia, Indiana, British Columbia & Quebec, Canada. This has enabled us to meet the increasing demands for our products and allow for on time delivery at competitive prices.

When searching for the latest application, or simply a top quality automotive aftermarket product, call on Aries Automotive.

CONTINUALLY RAISING THE BAR SINCE 1997



17 18

WHEEL TO WHEEL BIG STEP



20

JEEP PRODUCTS



25

HEADACHE RACK/MUD FLAPS



26

SEAT DEFENDER



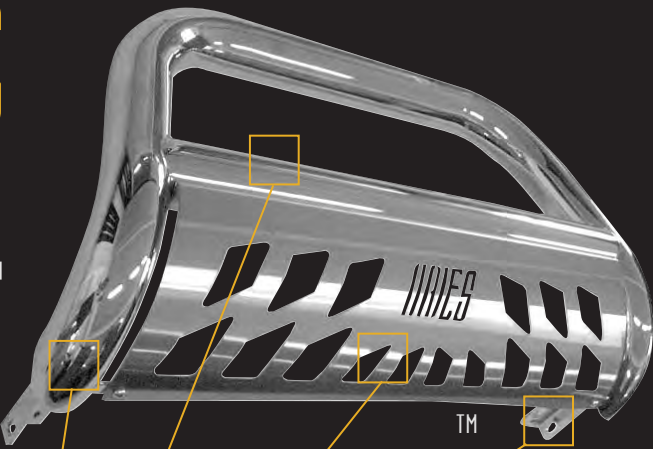
27

SALES SUPPORT

ARIES3D.COM
ARIESJEEP.COM
ARIESAUTOMOTIVE.COM
1.888.800.2743

ARIES BULL BARS

*Limited Lifetime Warranty.



3" Diameter Heavy Wall Tube.

Auxiliary Light Mounts.

Removable Skid Plate Included.

Easy No Drill Installation.

ADDS A RUGGED APPEARANCE...

POLISHED STAINLESS

304 STAINLESS STEEL
Polished To A Mirror Finish



Dodge RAM
Part#35-5005

AVAILABLE FOR

Chevrolet, Dodge, Ford, GMC,
Honda, Jeep, Nissan, Toyota.

COMPLIMENTING BULL BAR PRODUCTS

Sold Separately.



Mounts front license plate to Bull Bar.
Part#35-0000



Tow Hook Kit for 2009-14 Dodge
2500/3500.
Part#35-5TOW and 45-5TOW
Works with Part#35-5006.

SATIN BLACK

SEMI GLOSS BLACK CARBON STEEL
Powder Coat



Chevrolet Silverado
Part#B35-4012

...TO YOUR FULL SIZE TRUCK AND SUV.

PRO-SERIES

BLACK TEXTURE CARBON STEEL
Commercial Grade Black Texture Finish



Compliments the

PRO-SERIES
Side Bar Line.

Ford F150
Part#P35-3007

STEALTH SERIES

HI-GLOSS PEARL BLACK STAINLESS STEEL
Both Bracket & Hardware Passing 1000 Hour Salt Spray Test



meeting the
extreme
conditions

Ford Superduty
Part#35-3012-3

COMPLETE APPLICATION GUIDE AVAILABLE ONLINE WWW.ARIESAUTOMOTIVE.COM/APPLICATIONS

BIG HORN BULL BARS

*Limited Lifetime Warranty.



4" Diameter Heavy Wall Tube.

Auxiliary Light Mounts.

304 Brushed Stainless Skid Plate.

Sturdy Frame Mount.

Installs Within Minutes.

HUGE 4" DIAMETER



BIG HORN SS

304 STAINLESS STEEL
Polished To A Mirror Finish



Toyota Tundra
Part#45-2004

AVAILABLE FOR

Chevrolet, Dodge, Ford, GMC, Nissan,
Toyota.

COMPLIMENTING BULL BAR PRODUCTS

Sold Separately.



Mounts front license plate to Bull Bar.
Part#45-0000



Tow Hook Kit for 2009-14 Dodge
2500/3500.
Part#35-5TOW and 45-5TOW
Works with Bull Bar Part#35-5006.



GMC
Part#45-4011

BIG HORN BLACK

DURABLE LIGHT WEIGHT ALUMINUM ALLOY-T6
Black Texture Powder Coat Finish

ALUMALITE SERIES

Guaranteed Not To Rust. A Fraction The Weight of Carbon Steel.



Dodge
Part#TB45-5006



TEXTURED FINISH CLOSE-UP

BIG HORN CARBON STEEL

BLACK TEXTURED



Ford Superduty
Part#TB45-3012

THE ARIES BAR

AVAILABLE IN BLACK POWDER COAT & POLISHED

*Warranty: 3 Year Powder Coat. Limited Lifetime On Stainless.



Pre-drilled Holes
for Auxiliary Lights



Dodge RAM 2500/3500
Part#5056



Toyota Tacoma
Part#2054-2



Ford Superduty 250/350
Part#3064-2



Jeep Wrangler
Part#1050



Chevrolet Tahoe
Part#4065-2



GMC Sierra HD
Part#4082

STAINLESS STEEL



Removable Headlight Cages

Protective Rubber Strip



Dodge RAM
Part#5058-2

Solid Frame Mount/
No Drill Application



Jeep Grand Cherokee
Part#1052



Chevrolet 1500
Part#4068



Toyota Tundra
2062-2



Dodge Mega Cab
Part#5049



Jeep Liberty
Part#1051



Ford Escape
Part#3062

ARIES PROSERIES®

NEW

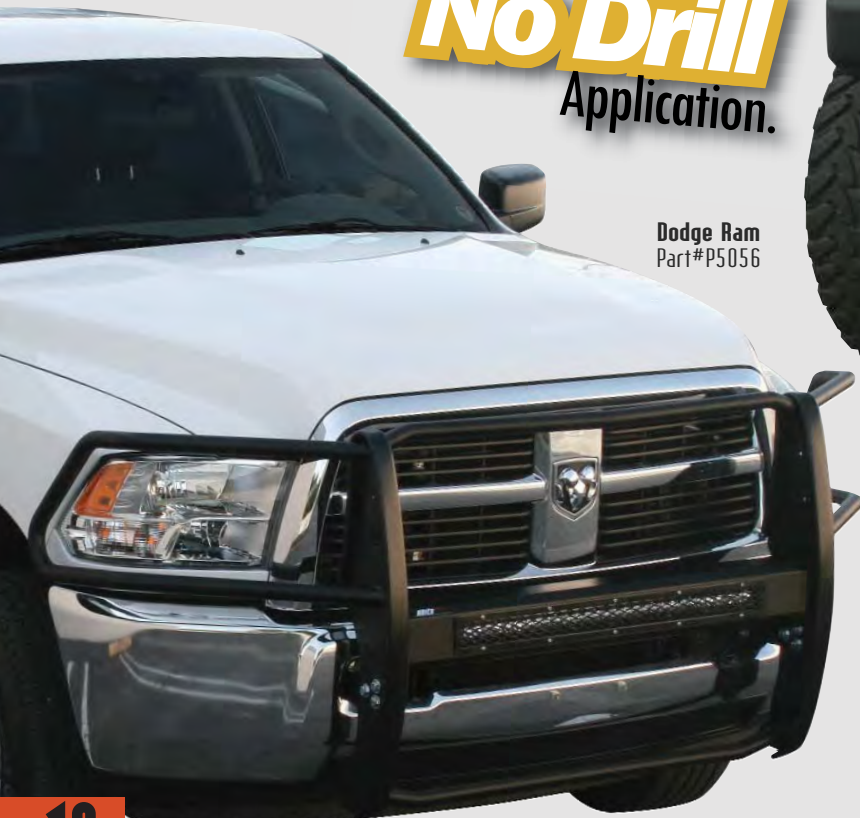


Ford F150
Part#P3063



Toyota Tundra
Part#P2062

Easy
No Drill
Application.



Dodge Ram
Part#P5056



Jeep JK
Part#P1050



AVAILABLE FOR...

Chevrolet, Dodge, Ford, GMC, Jeep, and Toyota.

COVER PLATE OPTIONS

For an even more distinct look, the standard steel mesh faceplate can be further customized with an optional brushed stainless or black carbon open style face plate. The unique housing allows full articulation of the light bar inside for precise aiming while protecting it from theft and the elements.



Hi Gloss Black Open Face Cover Plate
Available in Brushed SS too.



Hi Gloss Black Cover Plate
Accommodates two 10" LED Bar.



Hi Gloss Black Cover Plate
Accommodates one 20" LED Bar



Hi Brushed SS Open Face Cover Plate



Polish Stainless Steel Mesh Cover Plate



Toyota Tacoma
Part#P2054

CONSTRUCTED FROM...

a thick 1/4" plate and mandrel bent 1-1/2" OD carbon steel tubing, it is finished in our distinctive and highly durable textured black powder coat finish. The aggressive design compliments the lines of your vehicle while seamlessly integrating with the factory bumper.

THE NEW...

Patented Pending (61846757) design of the Pro Series Grill Guard includes an aerodynamic crossbar that can accommodate most popular brands of LED Light bars on the market.

ANY COMBINATION...

of smaller slim LED Light bars mounted in pairs or a single bar, up to a full 30 inches long, mount inside the crossbar.



Regardless of the

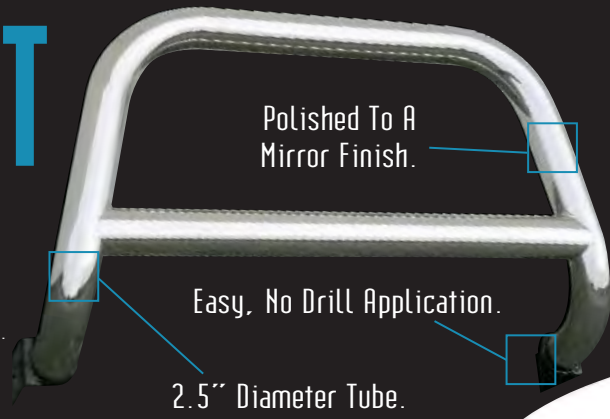
Terrain
you choose to **conquer**

do it in

STYLE!

SPORT BAR

*Limited Lifetime Warranty.



Polished To A Mirror Finish.

Easy, No Drill Application.

2.5" Diameter Tube.

ADDS A STYLISH LOOK TO MANY OF TODAY'S SMALLER SUV AND CUV'S!

AVAILABLE FOR

Acura, Dodge, Fiat, Ford, Hyundai, Kia, Landrover, Lexus, Mini Cooper, Mercedes, Mitsubishi, Nissan, Subaru, Toyota.

SATIN BLACK POWDER COATED STEEL

For Select Models.



Fiat 500
Part#B5555

COMPLIMENTING SPORT BAR PRODUCTS

Sold Separately.



Sport Bar Light Tabs.
Part#2.5TAB



Ford Escape
Part#3503



Hyundai Santa Fe
Part#7543




Honda CRU
Part#6547

PLEASE READ DISCLAIMER BEFORE ORDERING.

PRO SERIES

3" SIDEBARS



Branded SS Insignia
Stainless and Black.

Oversized Raised Step Pad.
Stainless and Black.

THE PRO SERIES...


Sets itself apart from the competition in **QUALITY** and **INNOVATION**. With an Elevated Quality in their Black Texture Powder Coat and Triple Polish 304 Stainless Steel.

STAINLESS FEATURES

- 304 Stainless Steel.
- Triple Polish Finish with Verified Mill Specs.

BLACK FEATURES

- Textured Powder Coat.
- 200 Hour Salt Spray Passed.



Ford F150
Part#P203039

ARIES 3" SIDEBARS



3" Diameter Heavy Wall Tube.
Stainless and Black.

Non-Skid Custom Pad.
Stainless and Black.

Easy
No Drill
Application.

ARIES 3" SIDEBARS OFFERING AN EXTENSIVE LINE OF TUBULAR SIDEBARS...

Ranging from a '66 Ford Bronco to the 2013 Hyundai Tucson.

AVAILABLE FOR

Chevrolet, Dodge, Ford, GMC, Honda, Hyundai, Jeep, Landrover, KIA, Lexus, Lincoln, Mazda, Mercedes, Nissan, Subaru, Suzuki, Toyota.

STAINLESS FEATURES

- High Polished Stainless Steel.

BLACK FEATURES

- Black Powder Coat Finish.



Chevrolet Silverado
Part#204045

6" OVALS

OFFERED IN UNIVERSAL LENGTHS.
53", 75", 85", 91"

304 STAINLESS STEEL HIGH POLISHED

STEP PAD

Non Slip 5" (UV Stable) Step Pad for Secure Footing.

Easy
No Drill
Application.

OE STYLING

6" Oval Tube Construction.

AVAILABLE FOR

Chevrolet, Dodge, Ford, GMC, Nissan,
and Toyota.

*Mount Kits Sold Separately.

BLACK ALUMINUM

SEMI GLOSS BLACK POWDER COAT FINISH

ALUMINUM FEATURES

2MM Thick, Won't Rust, Light Weight.

GLO STEP

Easy
No Drill
Application.

NEW

BLACK ALUMINUM SEMI GLOSS BLACK POWDER COAT FINISH

SETS OFF AN APPEALING GLOW...

when Utilizing Vehicle's Dome
Light.

PROVIDES SAFE FOOT PLACEMENT...

in Low Lit Conditions.



MAINTENANCE FREE LAMP IMPERVIOUS TO...

Moisture, Pressure, Shock,
Vibration, and Temperature.

The unique
Electro Luminescent built
within the step pad provides
for safe foot placement in low
lit conditions, as it sets off a brilliant
glow when utilizing the vehicles dome light.
The EL Lamp is maintenance and impervious to
moisture, pressure, shock vibration and temperature.

The patented Aries Glo Step is the latest 6" Oval for Today's
Truck and SUVs. It comes in both 304 Stainless Steel and Black
Powder Coat Aluminum, and is available in three tube sizes: 75",
85", and 91". The Aries Glo Step can fit most large size Ford, Dodge,
Chevrolet/GMC, Nissan, and Toyota applications.

304 STAINLESS STEEL HIGH POLISHED

ARIES OVALS

*Limited Lifetime Warranty on Stainless/3 Year Black

4" ELLIPTICAL TUBE DESIGN.

AVAILABLE IN
304 Stainless Steel
AND
Black Powder Coat Finish.

FEATURES



Blended End Caps & OE Style Bends.



Custom Raised Step Pads
Wheel To Wheel Offers Three Per Side.

THE OVAL

Dodge RAM Quad Cab
Part#S225017

CRADLE MOUNT BRACKETS

AVAILABLE FOR

Chevrolet, Dodge, Ford, GMC, Honda, Hummer,
Jeep, Lincoln, Lexus, Nissan, and Toyota.



Chevrolet Silverado
Part#S224045-2

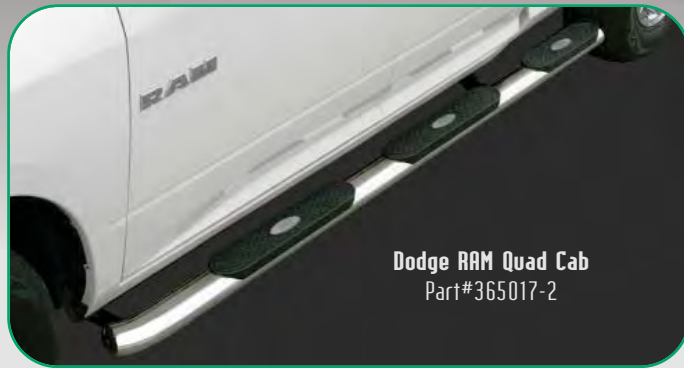
WHEEL TO WHEEL OVALS

OE STYLE BEND FOR FRONT OF WTW ONLY

POLISHED STAINLESS STEEL

COMMERCIAL GRADE BLACK POWDER COAT

Ford Superduty
Part#363006



Now Offering
WTW REGULAR CAB
Ovals.



Dodge RAM REG CAB SB
Part#365031

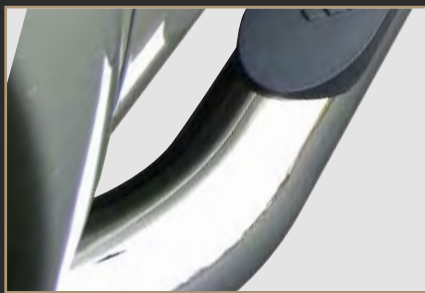
AVAILABLE FOR
Chevrolet, Dodge, Ford and
GM Regular Cab Long and Short Bed Trucks.

ARIES BIG STEP size does matter!



AVAILABLE FOR FULL SIZE...
Chevrolet, Dodge, Ford, GMC, and
Toyota Trucks along with the Hummer
and Jeep Wrangler 4 door.

FEATURES



4" OD Heavy Wall Tube



Sure Footing Raised Step Pads



Branded SS Insignia

BIG STEP SS 304 STAINLESS STEEL Polished To A Mirror Finish *Limited Lifetime Warranty.

Toyota Tundra
Part#232012-2



H2
Part#234075-2

*H2 Rocker Bar Not Part of Big Step.

Easy
No Drill
Application.

Chevrolet Silverado
Part#AL234045



ALUMALITE SERIES
Guaranteed Not To Rust. A Fraction The Weight of Carbon Steel.

BIG STEP BLACK

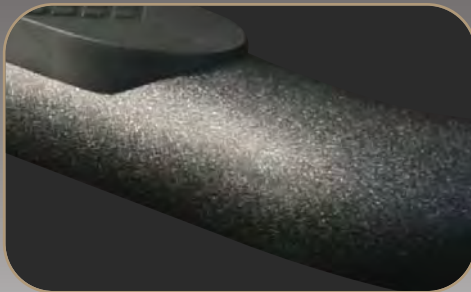
DURABLE LIGHT WEIGHT ALUMINUM ALLOY-T6
Black Texture Powder Coat Finish
*Warranty: 5 Year Alumalite Black.

BIG STEP CARBON STEEL

BLACK TEXTURED

*Warranty: 3 Year Black Carbon.

Jeep JK
Part#TB231007



TEXTURED FINISH CLOSE-UP



Easy
No Drill
Application.

Toyota Tundra
Part#TB232013

JEEP WRANGLER

MODULAR REPLACEMENT BUMPERS

2007-14

BLACK TEXTURE

REINFORCED MIG WELDS

3/16" Carbon Steel Construction.

2 Side & Center Protective Brush Guard



Center Stubbie

Universal Winch Housing
(10,000 lb capacity)

2 Bumper
Side Extensions



Part#25600

ALUMALITE DURABLE ALLOY

FRONT AND REAR REPLACEMENT BUMPER

Black Texture Silver Powder Coat.

FEATURES

- A Fraction the Weight of Carbon.
- Super Light.
- Rust Free.

3/16" T6 Aluminum with
100% TIG Welds.



Part#AL15600-3



Part#AL25600-3

WORKS WITH
CLASS 4 HITCH.

AVAILABLE IN...

- **Black Texture**
Both Aluminum and Carbon Steel.
- **Black Texture Silver Powder Coat**
Aluminum Only.
- **Raw Aluminum**
Special Order Only.

FEATURES

- 6 Piece Bumper Allows for your Personal Configuration.
- Center Stubbie Cutouts for OE Bumper Lights.
- Light Mounting Cutouts for Under Bumper, Fog, High Intensity, and Side Lighting Kits.
- Uses The Existing Mount Points of the Standard Jeep Bumpers.

FRONT REPLACEMENT BUMPER OPTIONS



Stainless Brush Guard Tubes
Part#15600-2 shown.



Corner End Caps
Part#AL15600-01-3 shown.

CONFIGURE TO YOUR STYLE!

STEEL FULL



Part#15600



Part#15600-2



Part#15600-00-1

STEEL MID



Part#15600-01-1



Part#15600-01-2



Part#15600-01-0

ALUMINUM FULL



Part#AL15600



Part#AL15600-2



Part#AL15600-3



Part#AL15600-00-1



Part#AL15600-00-3

ALUMINUM MID



Part#AL15600-01-1



Part#AL15600-01-2



Part#AL15600-01-3



Part#AL15600-01-0



Part#AL15600-01-4

COMPLIMENTING MODULAR REPLACEMENT BUMPER ACCESSORIES

Sold Separately.



Tow Hooks

Part#15600TW

- Fits Steel & Aluminum Replacement Bumpers.
 - 9000LB TUG CAPACITY
 - Utilizes tow hook connections & bolts of the factory bumpers for YJ (87-95) & TJ (97-06) models.
- Sold Individually.



License Plate Relocation Bracket

Part#55-0001

- Fits Steel & Aluminum Replacement Bumpers.



Winch Receiver Plate Bracket

Part#15600WRB

- Recommended for Alumalite Front Replacement Bumper.

JEEP PRODUCTS

ALUMALITE SECURITY CARGO LID

CREATES LARGE LOCKABLE STORAGE AREA
Entire Enclosure Constructed from Aluminum Alloy

Weight Bearing Lid complete with Tie Down Hooks to Incorporate additional cargo.

Part#ALC25001



Mounts to JK with or without Hard Top and Subwoofer.

Durable Black Texture Powder Coat Finish.



Both Lid and Front are Easily Removable.

TUBULAR ALUMINUM DOORS

MADE FROM LIGHTWEIGHT DURABLE ALUMINUM ALLOY-T6

Available in Texture Black Powder Coat Finish.

100% TIG Welds To Precise Fit!



Part#15009
Sold In Pairs.
Must use Mirror Sleeves.



Can Use Factory Mirrors with Included Sleeves.



Part#25009
Sold In Pairs.

Aries Recommends checking local and state laws before installing. Such laws may prohibit installation of these products.

ALUMALITE SERIES
Guaranteed Not To Rust. A Fraction The Weight of Carbon Steel.

FENDER FLARES

DURABLE ALUMINUM ALLOY-T6

Available in Black Texture Powder Coat Finish and Raw Aluminum.



Front Vehicle
Fender Textured
Part#1500201



Rear Vehicle Fender Textured
(Not Shown)
Part#2500201



Rear Vehicle
Fender Raw
Part#2500202



Bolt On.
Can Fit Up to 40" Tire.
Sold in Pairs.

ROOF LIGHT BAR

MANUFACTURED FROM ALUMINUM ALLOY

Aries Ultimate Light Bar Contours to the Windshield while providing a Great Look!



ALUMALITE SERIES
Guaranteed Not To Rust. A Fraction The Weight of Carbon Steel.



FEATURES

- Light Weight.
- Doesn't Interfere with the use of Hard or Soft Top.
- Accommodates most LED Light Bars as well as Round Lights - Up to 9".
- Finished In a Durable Texture Black Powder Coat.



Part#15800

FRONT WINDSHIELD LIGHT BRACKET



JEEP PRODUCTS

Part#25630



TIRE RELOCATION CARRIER

- Mounts to existing Tire Carrier.
- Allows for up to 35" Tire.
- Carbon Steel.
- Black Texture Powder Coat Finish.



REINFORCEMENT BRACKETS

Recommended with Tire Relocation Carrier.
Part#25630BK

THIRD BRAKE LIGHT EXTENSION BRACKET

- Recommended for Larger Tires.
 - Works with Tire Relocation Carrier.
- Part#256TBL



3" TUBULAR BUMPERS

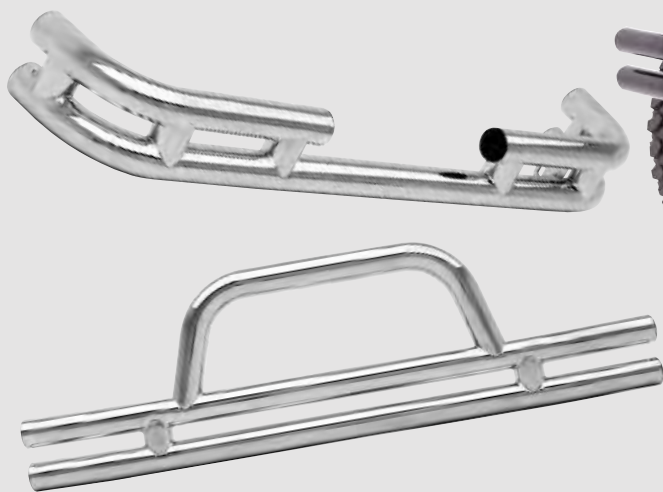
1976-2014 JEEPS



AVAILABLE IN

Stainless and Black Powder Coated Steel.

* Front and Rear fill plates for Tubular Bumpers Sold Separately.



3" Light Tabs
Part#3TAB



License Plate Holder
Part#55-0000

ADDITIONAL ACCESSORIES

TWO APPLICATIONS FIT ALL
FULL SIZE TRUCKS!

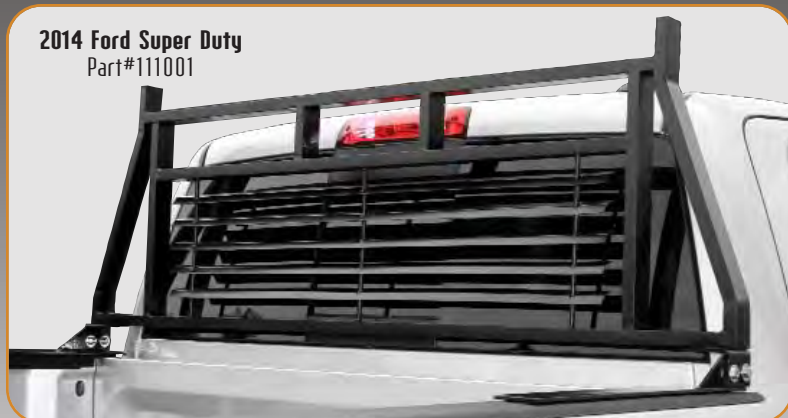
HEADACHE RACK



2014 Dodge Ram
Part#111000



2014 Ford F150



2014 Ford Super Duty
Part#111001

- Made from Heavy Duty Carbon Steel: 2" x 1" Tube.
- Quick and Easy Installation.
- Durable Hi Gloss Black Powder Coated Finish.
- Works with cross bed tool boxes.
- Full louvered.
- Available for 2013 Models.

UNIVERSAL REMOVABLE MUD FLAPS

FEATURING

- Quick Release System Allows for Instant Removal by Pulling the Pin.
- Universal Bracket with Multiple Holes for Mounting.
- Large 22" Carbon Steel Hanger can be cut to Match Multiple Tire and Wheel Offsets.
 - Durable Black Powder Coat Finish.
 - For Jeep JK models, No Drilling Required.



ARIES SEAT DEFENDER

UNIVERSAL, TEMPORARY SEAT COVER...USE IT WHEN NEEDED.

FITS BUCKET & BENCH SEATS

For Most Trucks, SUV's & Automobiles.

PERFECT FOR

Pet Owners, Parents,
Industrial/Commercial Workers,
Outdoor Enthusiasts...

FEATURING

- Easy to Clean and Pack.
- Simple to Install and Remove.
- Allows for Side Air Bag Deployment.

UNIQUE TWO SIDED MATERIAL



Bottom made from an anti-skid Thermal Plastic Rubber (TPR). Won't Scratch or Damage Vehicle's Original Fabric.



Surface is made from a 600D Terelene.

AVAILABLE IN

- Black
- Grey
- Beige

ONE PIECE BUCKET SEAT



GREY
Front Part#3142-01



100%
Waterproof

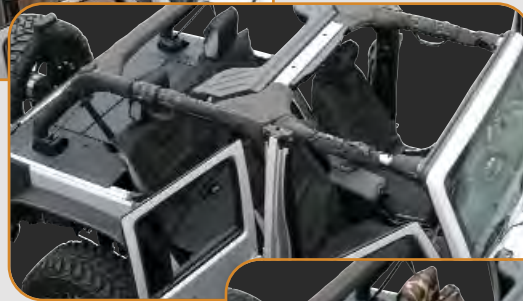
REAR BENCH SEAT

GREY
Bench Part#3146-01



BROWN
Front Part#3142-18
Bench Part#3146-18

BLACK
Front Part#3142-09
Bench Part#3146-09



CAMO
Front Part#3142-20
Bench Part#3146-20



PLEASE READ DISCLAIMER BEFORE ORDERING.

SALES SUPPORT



WALL DISPLAY

Holds the following items:
Catalogs, Trifolds, 2 Crops, Bull Bar
*Full Oval or Sidebar Sold Separately

ARIES APPAREL

- Aries T-Shirt (White, Black)
Available in Adults (M, L, XL, XXL)
- Aries ProSeries Flex Cap (Black)
Available in Small or Large



8' Wide x 4' Deep
or
4' Wide x 2' Deep

STANDALONE DISPLAY

Holds the following items:
Catalogs, 2 Crops, Bull Bar
*Full Oval or Sidebar Sold Separately



ARIES COLORED VINYL BANNER



TERMS AND CONDITIONS OF SALE**Terms**

All shipments are C. O. D. unless payment is received with an order or prior arrangements have been made for an open account. Prepayment will help avoid costly C. O. D. charges.

Return Policy

Any and all returns require an RGA number authorized by Aries Automotive Accessories, Inc. Aries Automotive Accessories, Inc. requires an original purchase invoice number before an RGA number is to be issued. All authorized returns will be made on a freight-prepaid basis, including insurance, by the customer and will be subject to a 30% restocking fee. All returns will be issued as credit, not a refund, and may only be applied to a 2/1 (two for one) offsetting order.

Shipment

All freight-prepaid shipments will be by a freight company chosen by the manufacturer. Freight collect shipments will be by a freight company chosen by the manufacturer unless a freight company is specified at the time the order is placed. There is a 5% drop ship fee, minimum of \$5.00, on orders that are shipped to a non-billing address.

Claims

Please be advised that responsibility of goods shipped transfers FOB at Aries Automotive Accessories, Inc. Shipment shortages and damages must be claimed against carrier/freight company at the time of delivery. Customer must note the claim on the bill of lading/freight bill at the time of delivery and request an inspection by the carrier immediately. All shortages within ARIES boxes must be reported to Aries Automotive Accessories, Inc. within seven days of receipt of shipment. No claims will be allowed thereafter. Do not deduct claimed shortages from invoices when making payment. Credit memo(s) will be issued when the carrier pays the claim. Deductions taken without referencing a credit memo will not be honored.

Pricing

Prices and terms herein supersede all previous pricing. Prices are subject to change without notice.

**WARRANTY AND DISCLAIMER****Stainless Steel Limited Lifetime Warranty**

Aries Automotive Accessories, Inc. offers the original purchaser a limited lifetime warranty from defects in material and workmanship. This warranty does not cover shipping damage, misuse, mishandling, road hazards, product modifications, or discoloration. This warranty does not cover cost for installation, removal, labor or shipping. This warranty only applies to new products installed on the original vehicle. The warranty covers the replacement or repair of any part or parts that are defective and returned to Aries Automotive Accessories, Inc. accompanied with a bill of sale and RGA number. Warranty claims cannot be determined until returned goods are inspected.

Black Powder Coat Warranty

Aries Automotive Accessories, Inc. offers the original purchaser a 3 year warranty from defects in material and workmanship on all powder coat finishes from the original date of purchase. This warranty does not cover shipping damage, misuse, mishandling, road hazards, or product modifications. This warranty does not cover cost for installation, removal, labor or shipping. This warranty only applies to new products installed on the original vehicle. The warranty covers the replacement or repair of any part or parts that are defective and returned to Aries Automotive Accessories, Inc. accompanied with a bill of sale and RGA number. Warranty claims cannot be determined until goods are inspected.

Aluminum

Aries Automotive Accessories, Inc. offers the original purchaser a 5 year warranty from defects in material and workmanship on all aluminum finishes from the original date of purchase. This warranty does not cover shipping damage, misuse, mishandling, road hazards, or product modifications. This warranty does not cover cost for installation, removal, labor or shipping. This warranty only applies to new products installed on the original vehicle. The warranty covers the replacement or repair of any part or parts that are defective and returned to Aries Automotive Accessories, Inc. accompanied with a bill of sale and RGA number. Warranty claims cannot be determined until goods are inspected.

Disclaimer for Aries Automotive Accessories, Inc. Products

Aries Automotive Accessories, Inc. products are designed to be sold as decorative accessories, and should not be relied upon as protection for both passengers and vehicle. The buyer assumes all risk and liability whatsoever resulting from the use of said products. There are limitations to the severity of impact that the products sold herein can withstand and the products are not a substitute for safe and careful driving. Aries Automotive Accessories, Inc. reserves the right to redesign or discontinue products at anytime without prior notice.

ARIES AUTOMOTIVE ACCESSORIES, INC.

P.O. BOX 1687
LOMITA, CA 90717 USA
Ph: (888) 800-2743
Fk: (310) 784-1017
Website: www.ariesautomotive.com

ARIES AUTOMOTIVE TEXAS

1012 ASSEMBLY CIRCLE, STE 200
SCHERTZ, TEXAS 78154
Ph: (866) 320-4994
Fk: (210) 650-4395

ARIES AUTOMOTIVE GEORGIA

675 PARK NORTH BLVD, STE 110
CLARKSTON, GA 30021 USA
Ph: (404) 292-1720
Fk: (404) 292-1725

ARIES OFFROAD CANADA, LTD.

2451 BETA AVE.
BURNABY, BC V5C-5N1 CANADA
ToLL Free: (877) 278-2045
Ph: (604) 298-0004
Fk: (604) 298-0006