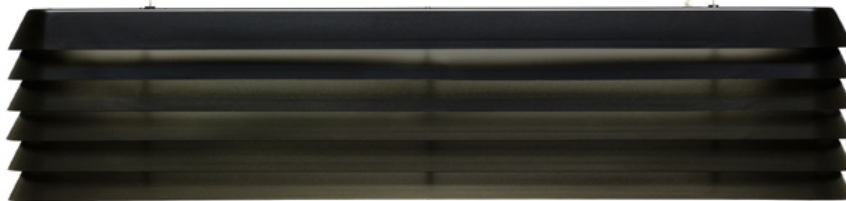


Louvre Light

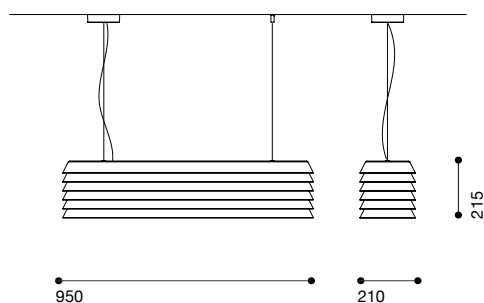
Klauser & Carpenter



Type: Suspension Light

Design: 2008

Designer: Klauser & Carpenter



Dimensions

S1: L950mm × D210mm × H215mm

Weight

6.8 kg

Cable Length

L2000mm

Materials

Anodised aluminium, polycarbonate diffuser, powder-coated aluminium and steel fixings, steel suspension cable.

Lamp Colour

Anodised bronze

Cable Colour

clear

Packaging Dimensions

S1: L1230x D430 x H540mm

Weight

35 kg

Packaging Type

crate

Wiring type

Mains voltage

Colour Temperature

S1 3000k

Supply Voltage

S1 220/240Vac, 50-60Hz
S1 110/120Vac, 60Hz

Lamp Bulb Supplied

S1 220/240V:
2× T5-HO linear fluorescent 39W (electronic ballast)
S1 110/120V:
2× T5-HO linear fluorescent 39W (electronic ballast)

Lumens

S1 3500m

Life Expectancy

S1 30000 hours

Ingress Protection Rating

IP20

Bulb fitting

G5 – 220/240V
G5 – 110/120V

Type of Insulation

Class II (2)

Dimmable

Luminaire compatible with dimming devices
Notes: professional installer to advice on suitable dimmer and bulb combination.

Notes

CE mark

Care & Maintenance

Clean electrical parts with a soft dry cloth only.
To clean the glass use a slightly damp microfibre cloth with a mild detergent.
To clean the lamp please use a soft, damp cloth or a duster, avoiding any abrasives or solvents.