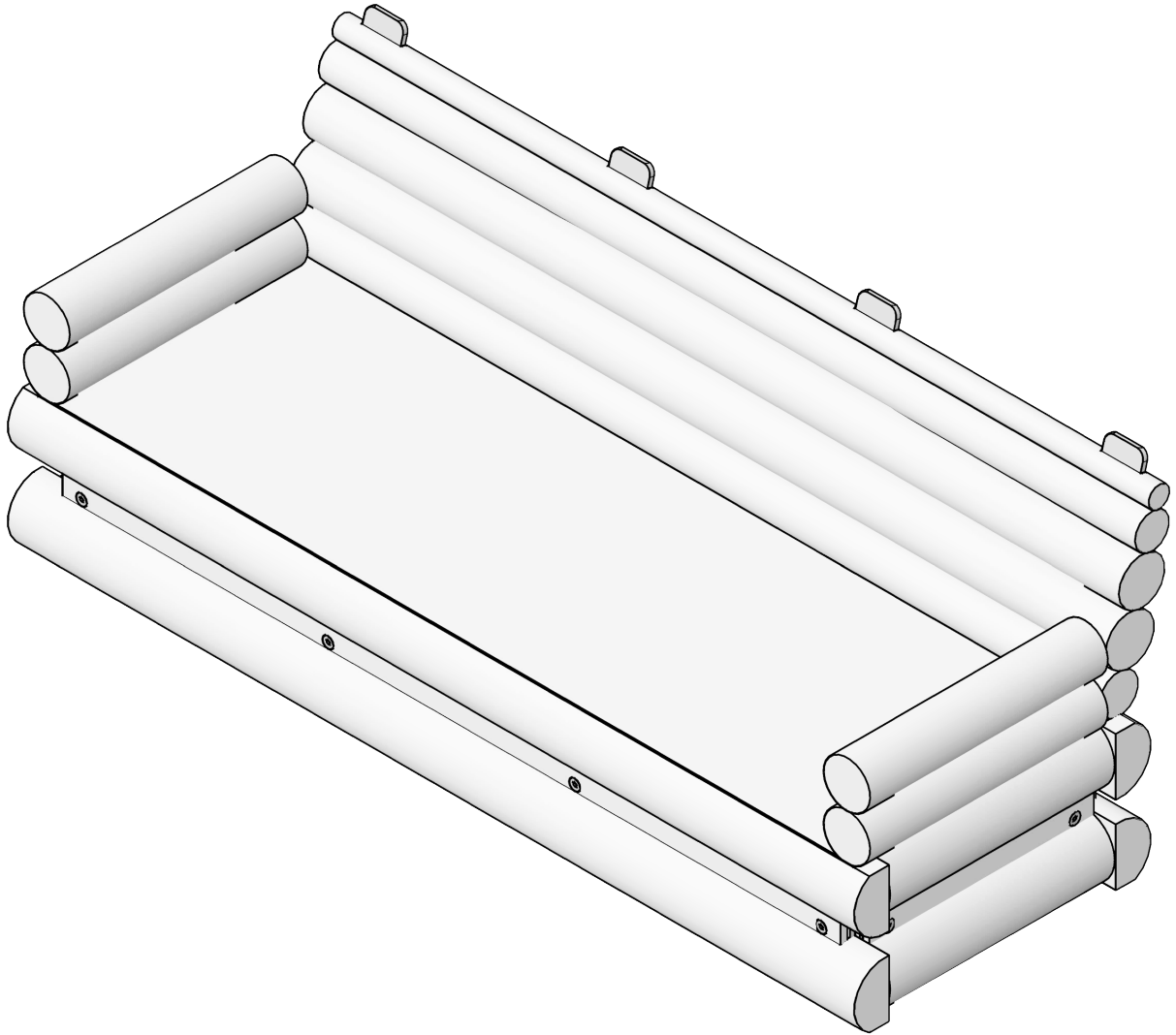


ENRICO MARONE CINZANO

FURNITURE

ASSEMBLY INSTRUCTIONS

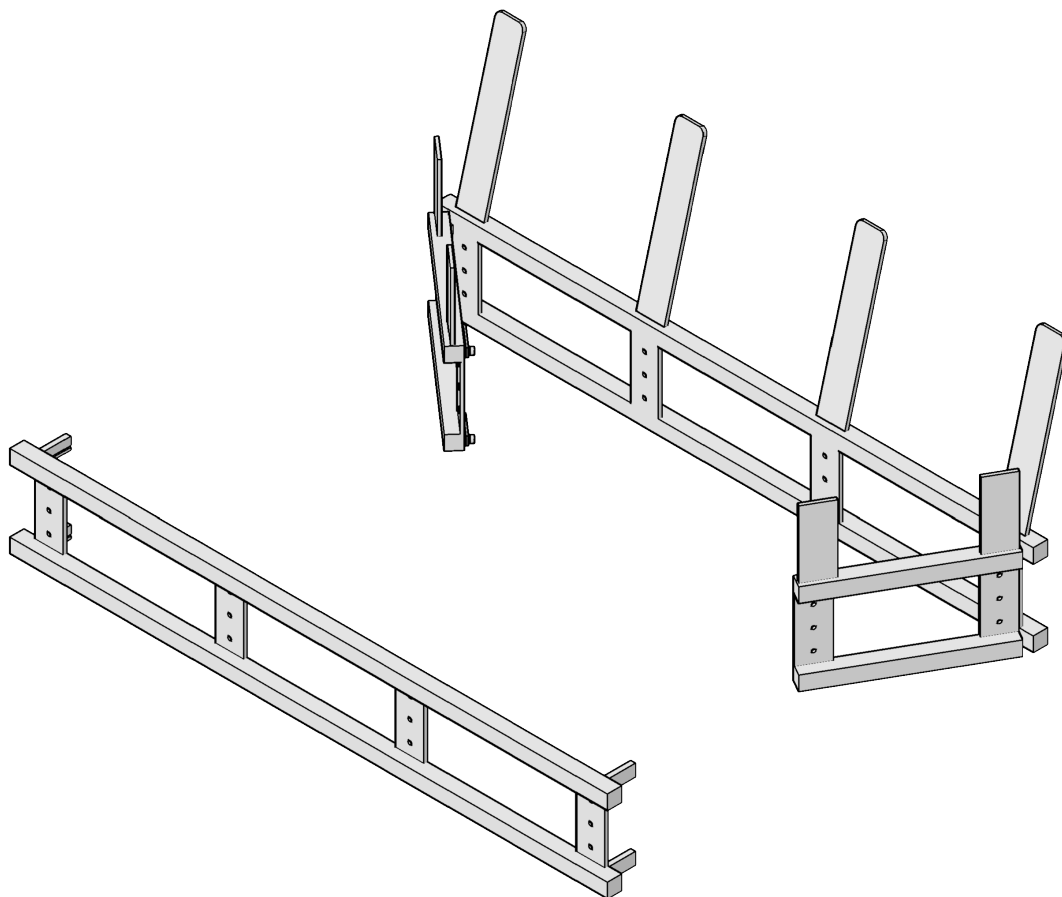
SOFA



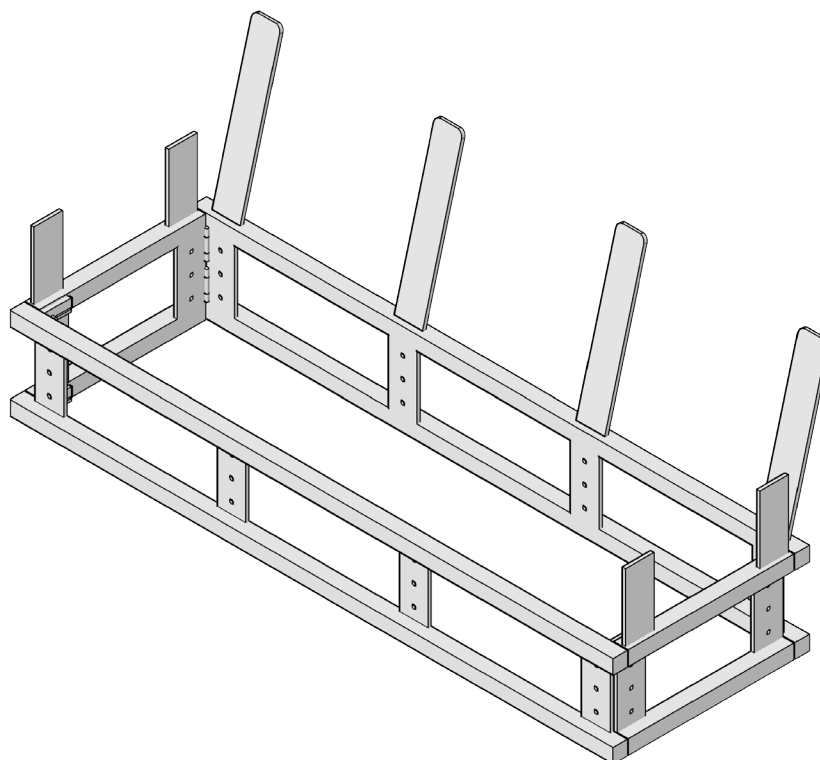
THE CORRECT ASSEMBLY REQUIRES 2 PERSONS.
TOOLS ARE REQUIRED.

SOFA

1.

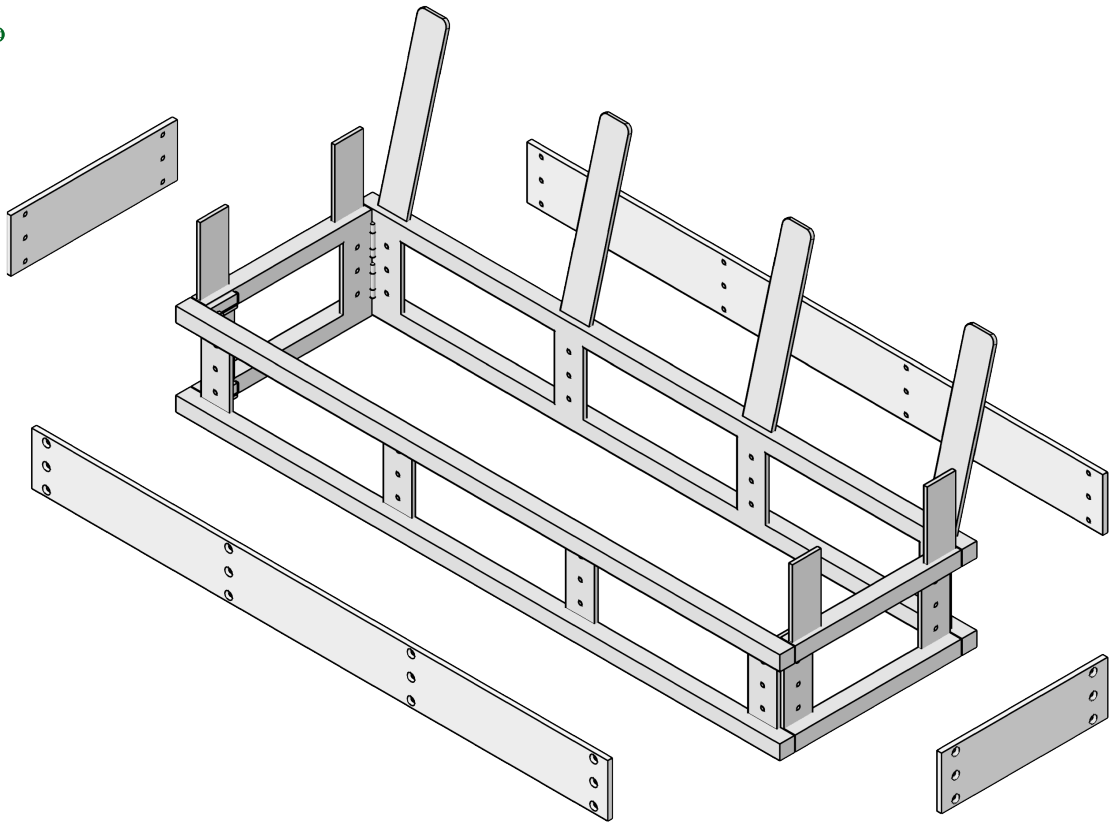


2.

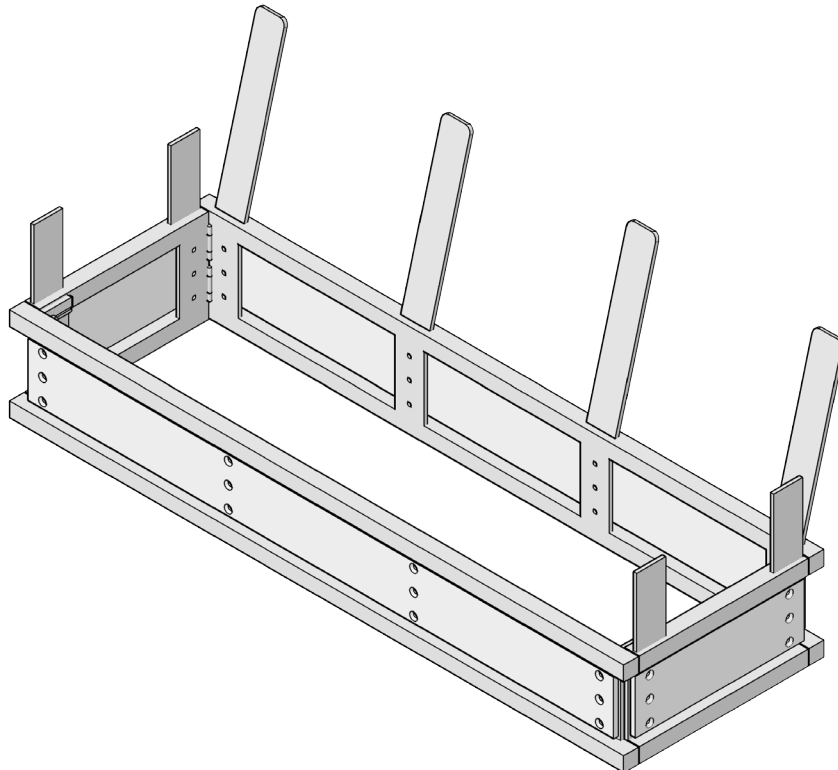


SOFA

3.

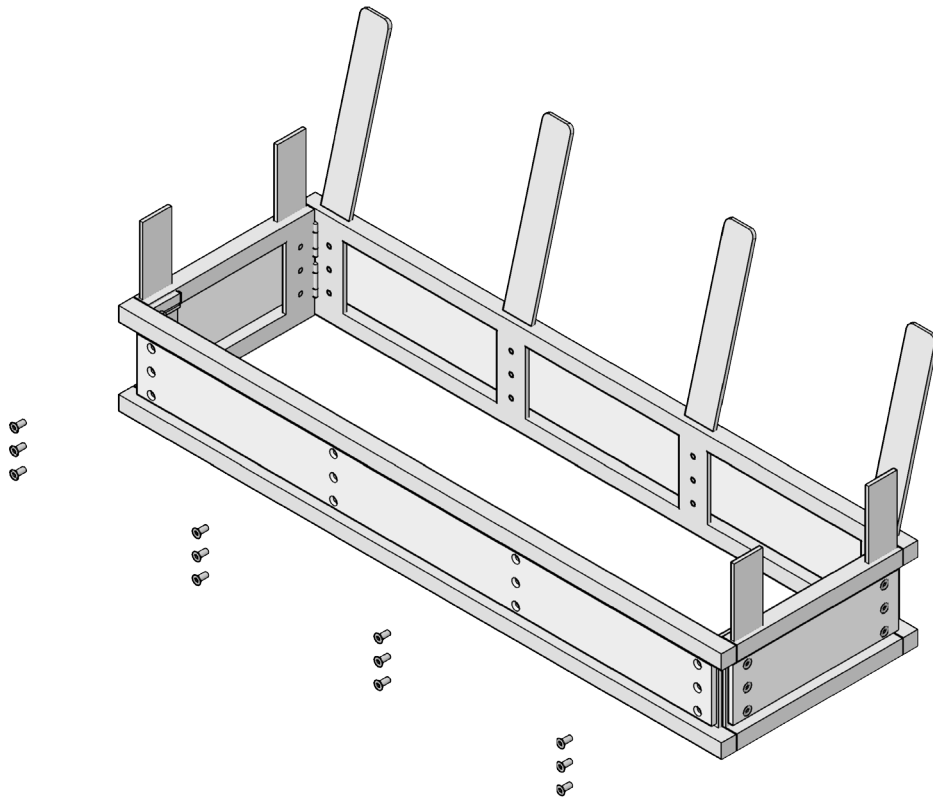


4.

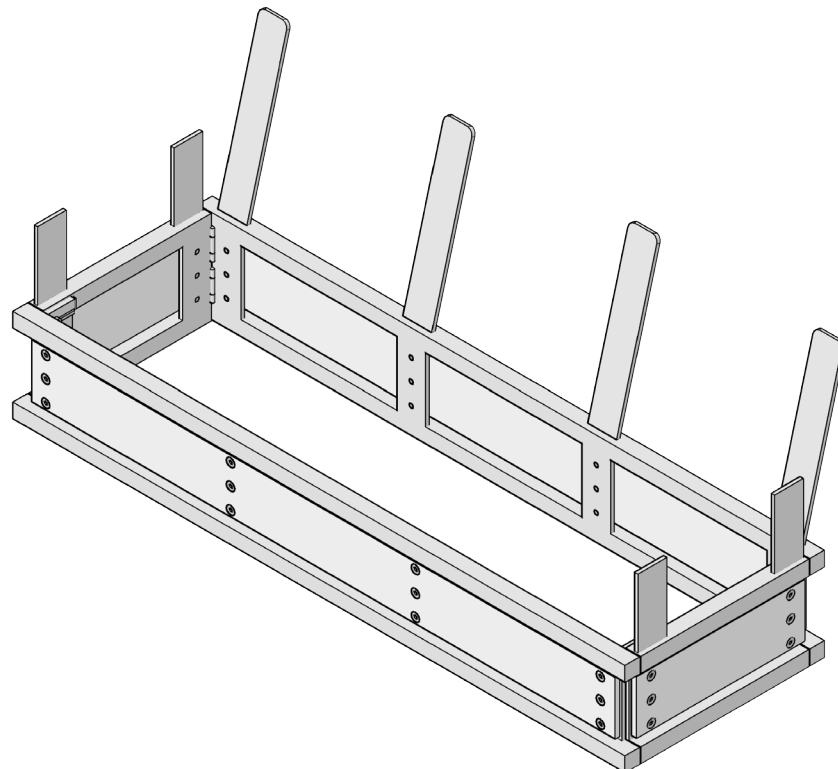


SOFA

5.

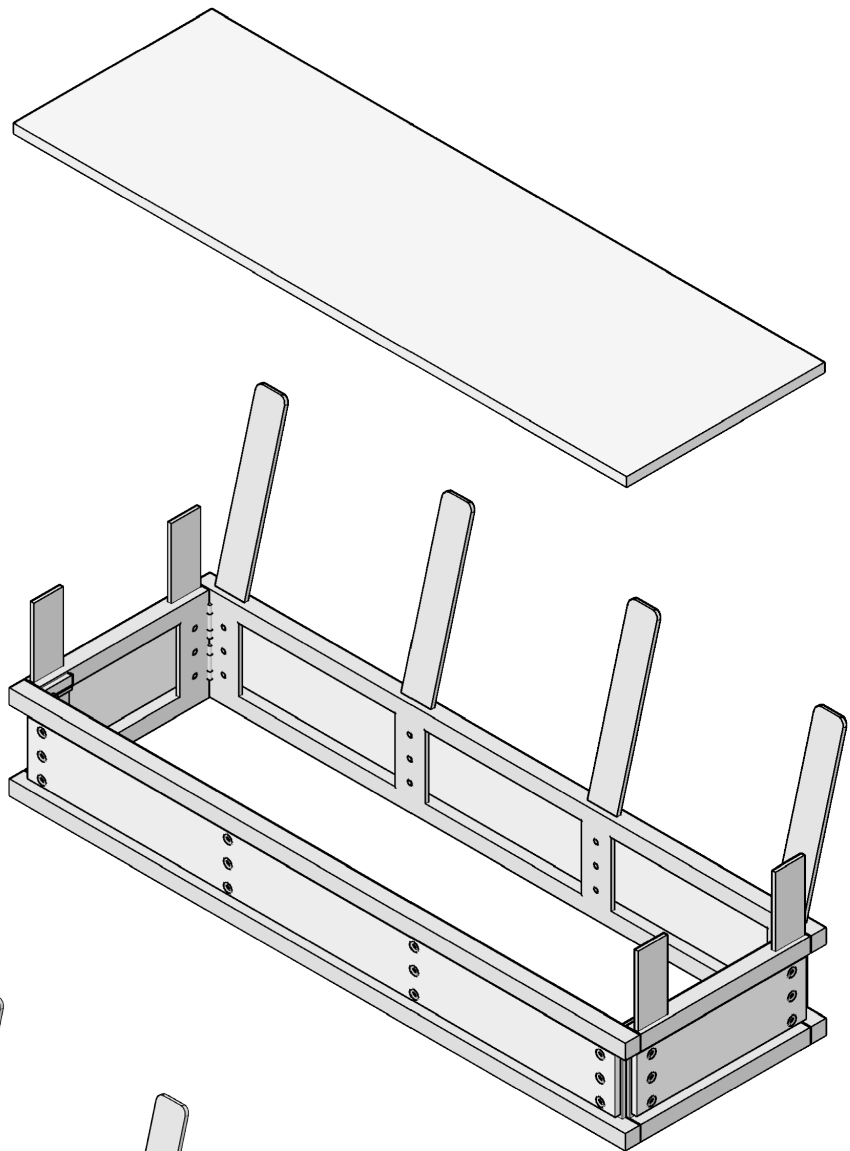


6.

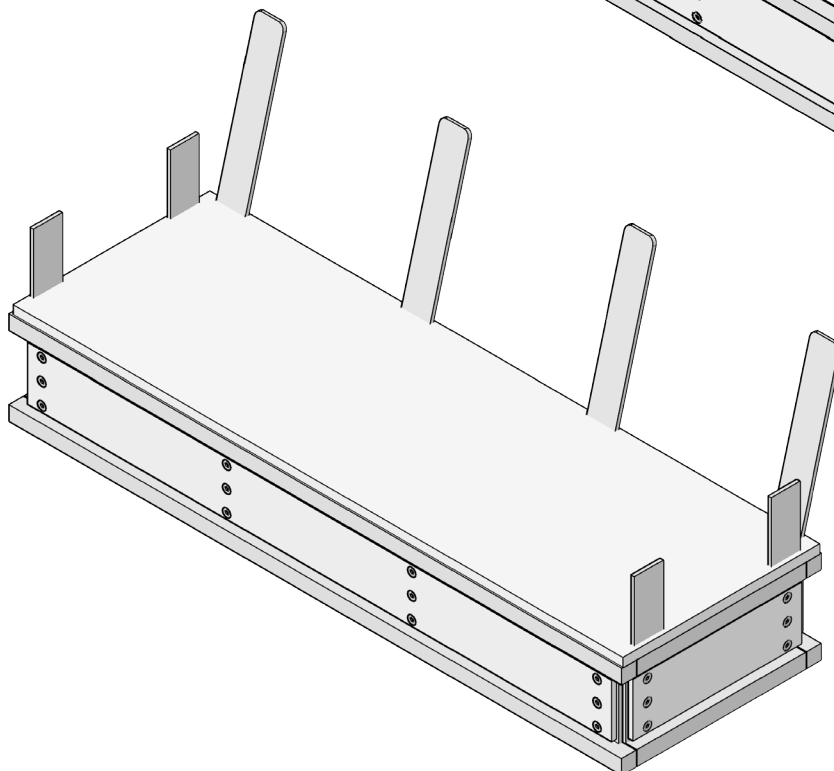


SOFA

7.

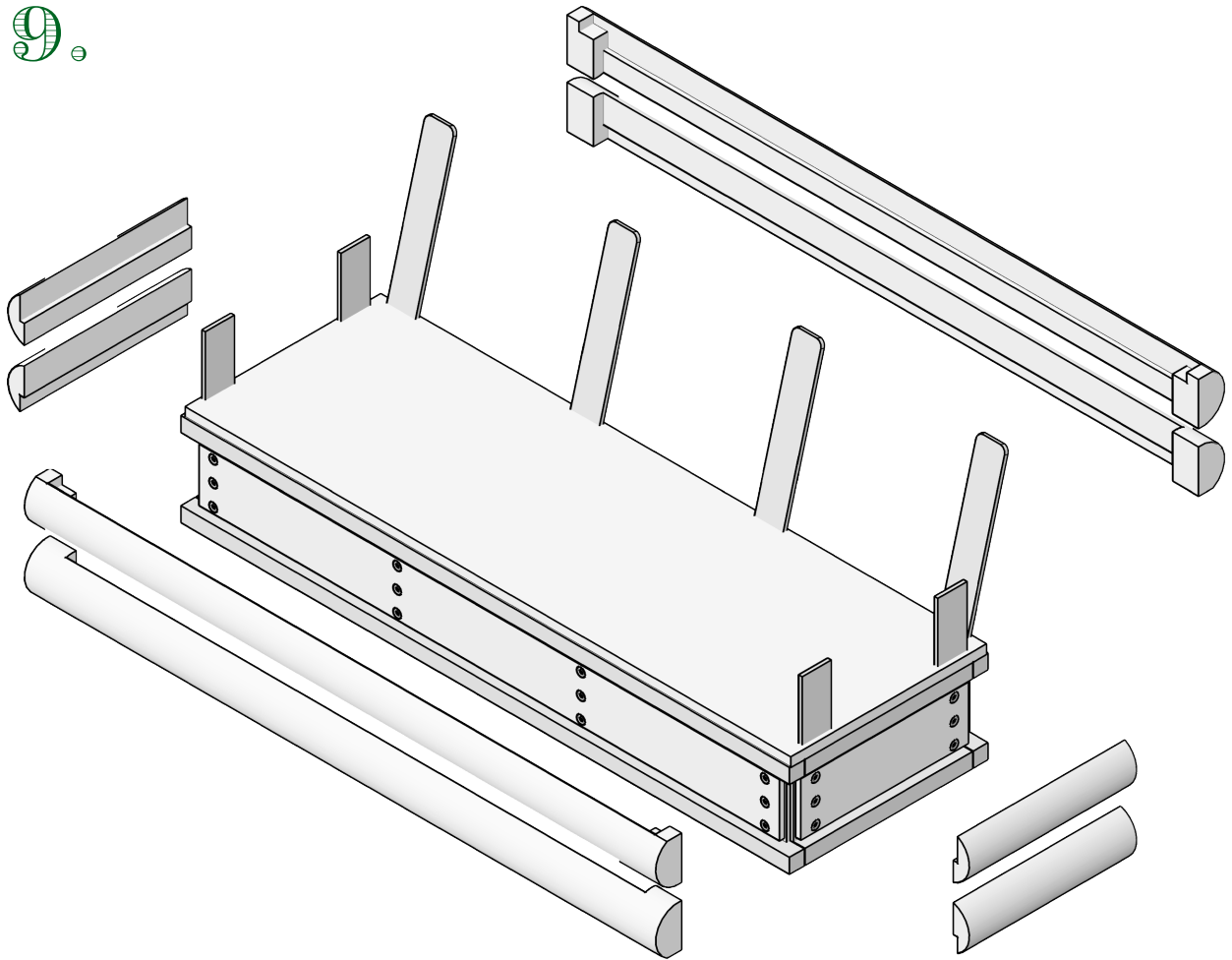


8.

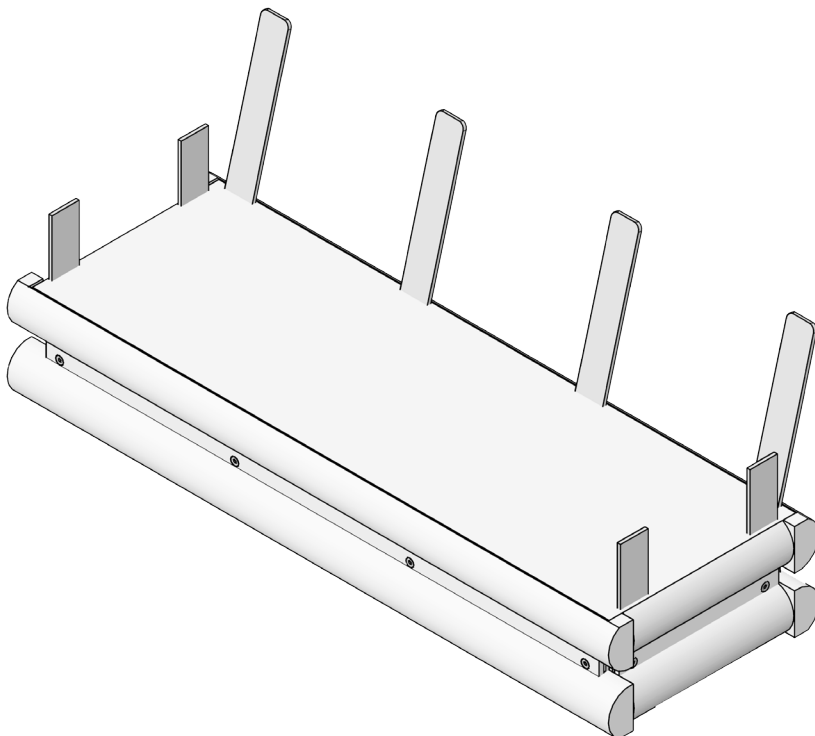


SOFA

9.

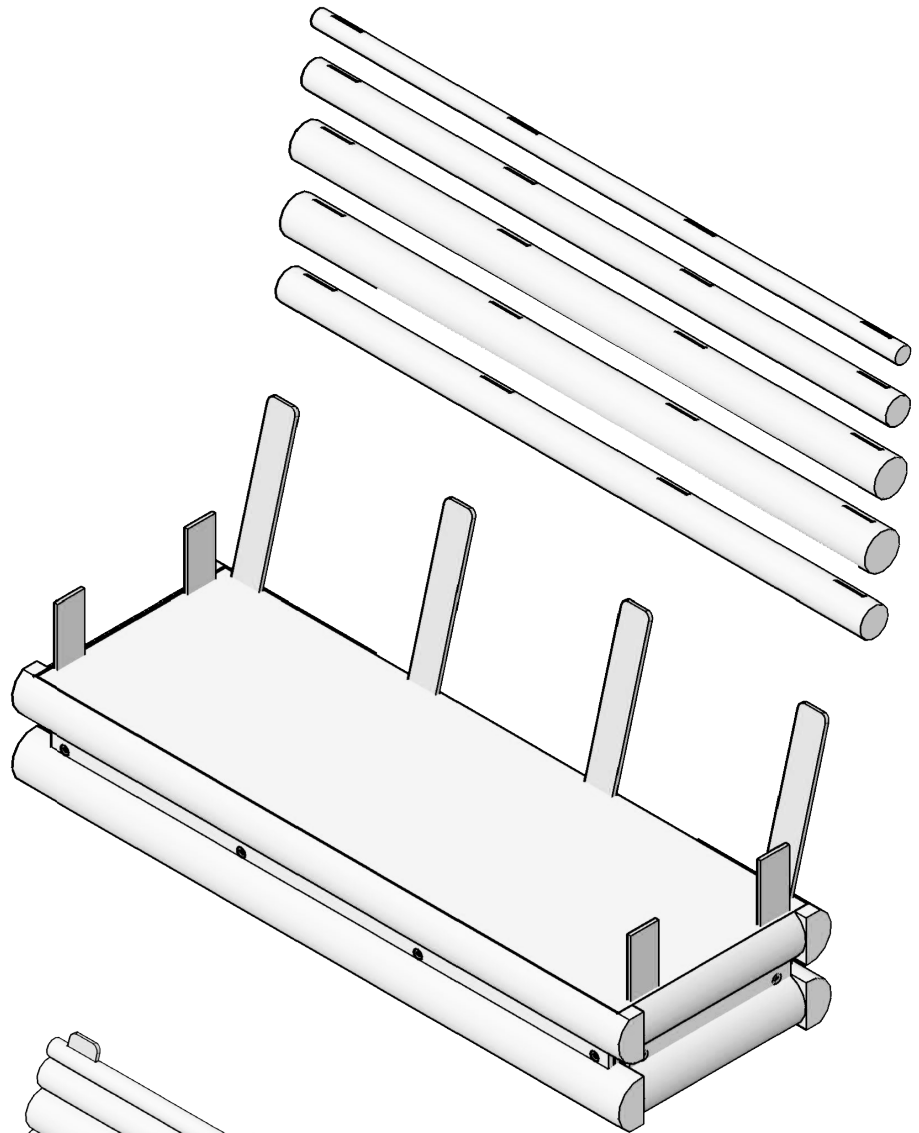


10.

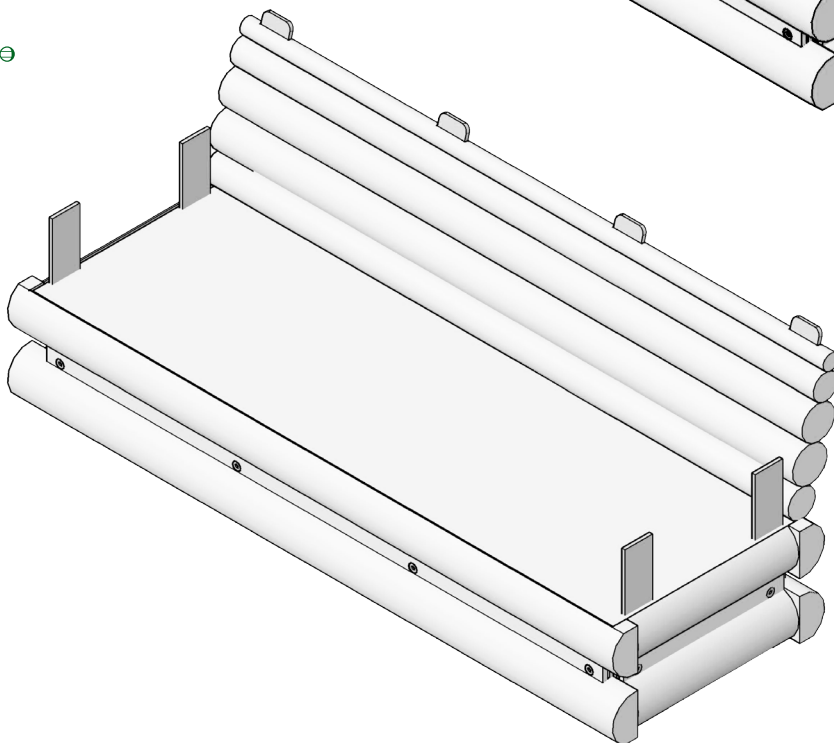


SOFA

11.

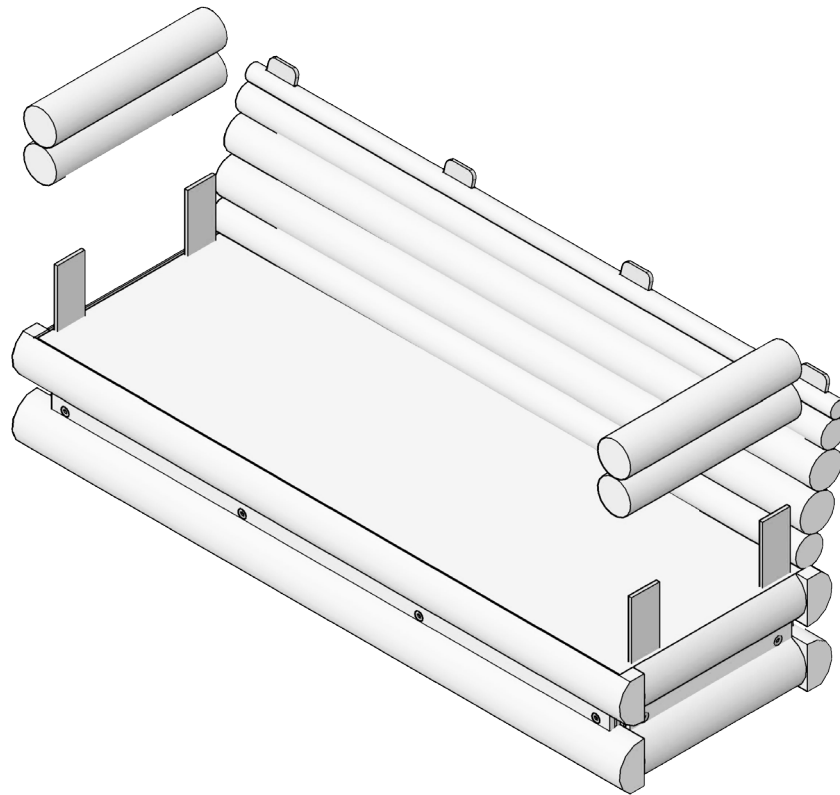


12.

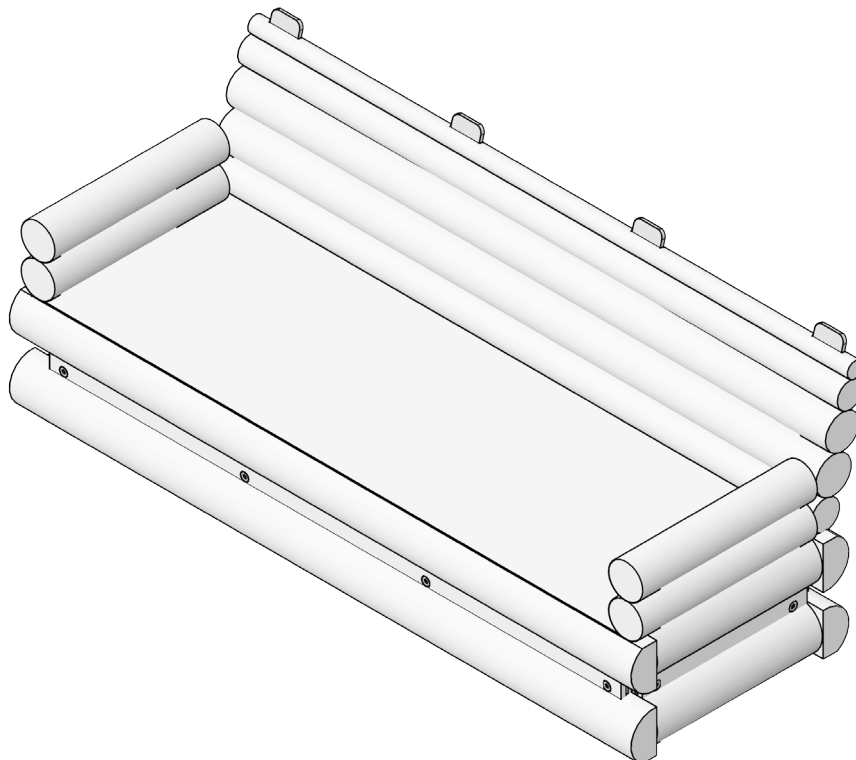


SOFA

13.



14.



SOFA

MAINTENANCE INSTRUCTIONS

WOOD SURFACES:

DUST WITH A SOFT AND COMPLETELY DRIED CLOTH.
FOR A BETTER AND LONG-LASTING PROTECTION EVERY 6
MONTHS TREAT THE WOOD WITH LINSEED OIL.

GLASS SURFACES:

CLEAN THE GLASS WITH A WET CLOTH, USING ONLY NEU-
TRAL DETERGENTS.