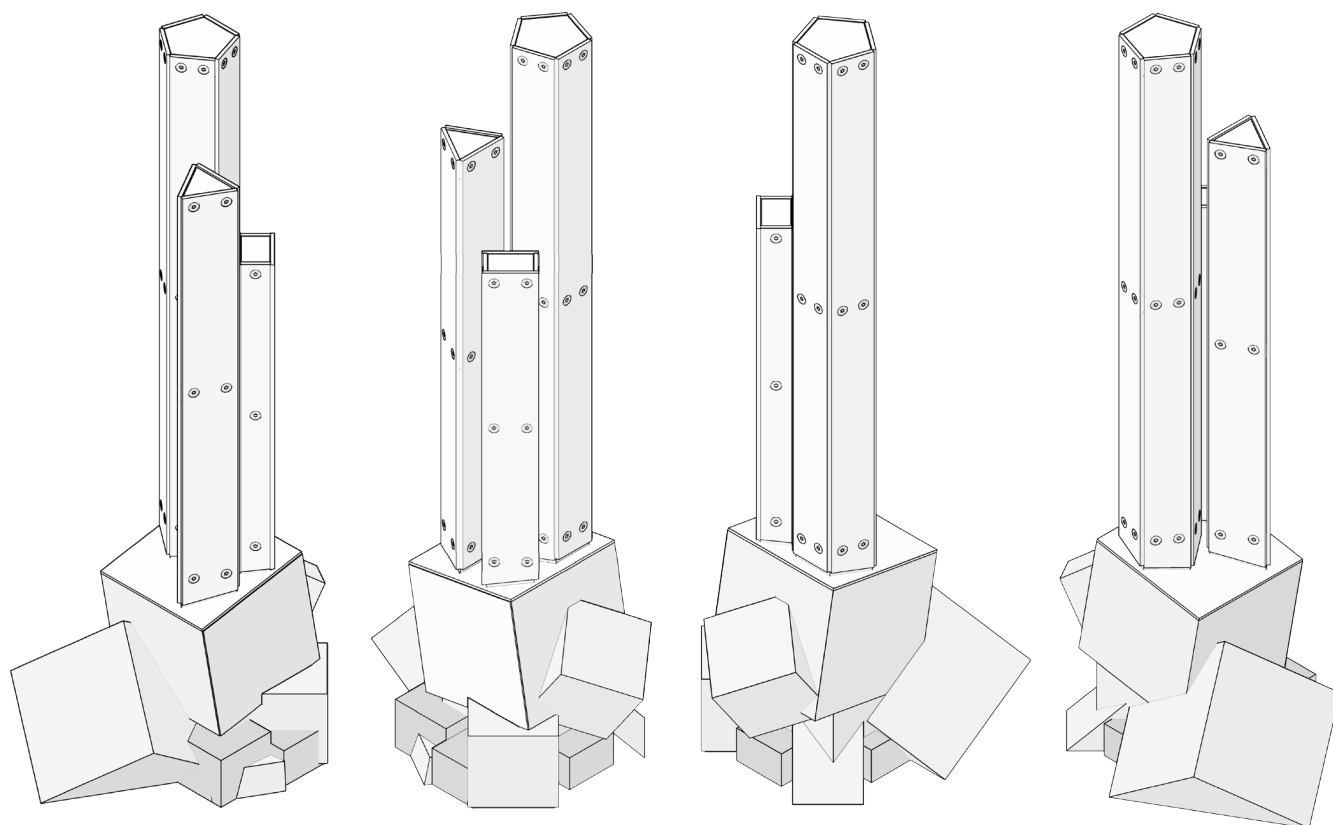


ENRICO MARONE CINZANO

FURNITURE

MAINTENANCE INSTRUCTIONS

GEODE LAMP



GEODE LAMP

MAINTENANCE INSTRUCTIONS

METAL SURFACES:

DUST WITH A SOFT AND WET CLOTH, USING ONLY NEUTRAL DETERGENTS.

GLASS SURFACES:

CLEAN THE GLASS WITH A WET CLOTH, USING ONLY NEUTRAL DETERGENTS.