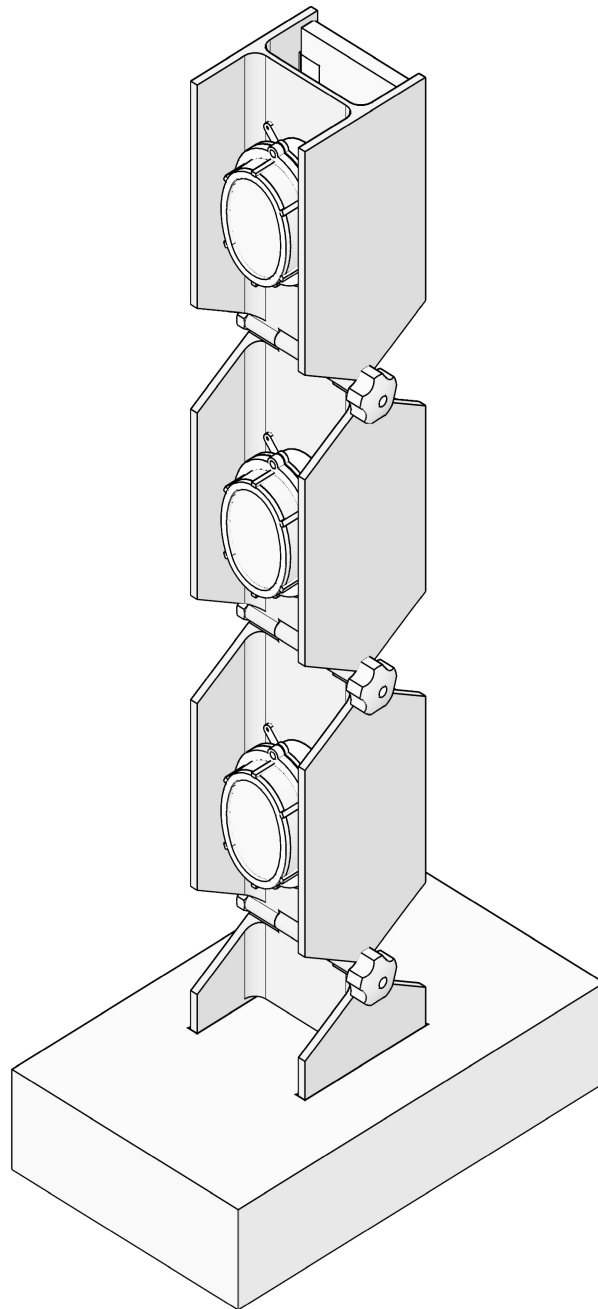


ENRICO MARONE CINZANO

FURNITURE

MAINTENANCE INSTRUCTIONS

PORTHOLE LAMP



PORTHOLE LAMP

MAINTENANCE INSTRUCTIONS

STEEL SURFACES:

DUST WITH A SOFT AND WET CLOTH, USING ONLY NEUTRAL DETERGENTS.

WOOD SURFACES:

DUST WITH A SOFT AND COMPLETELY DRIED CLOTH.
FOR A BETTER AND LONG-LASTING PROTECTION EVERY 6 MONTHS TREAT THE WOOD WITH LINSEED OIL.