

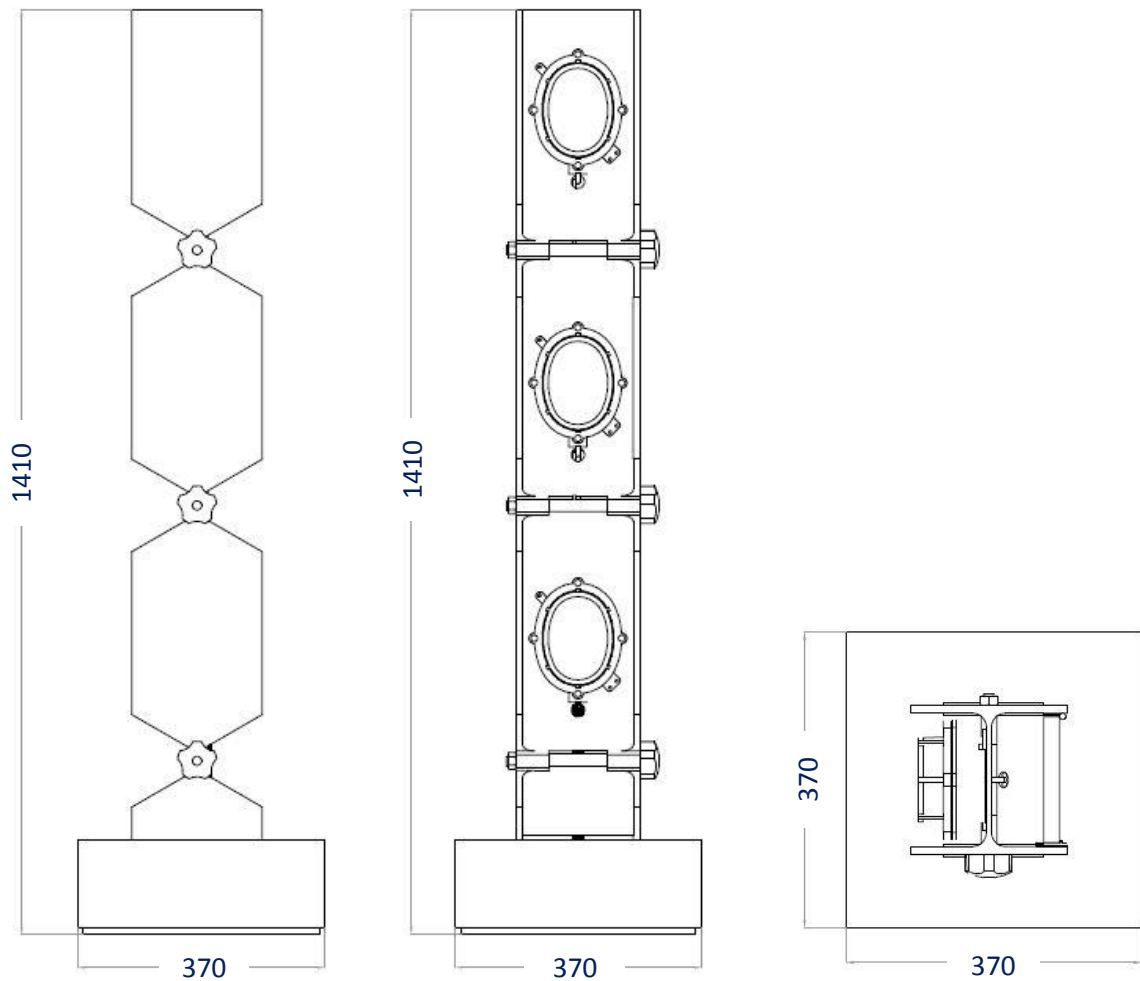
ENRICO MARONE CINZANO
FURNITURE

PORTHOLE LAMP

PORTHOLE LAMP



PORTHOLE LAMP



- MEASUREMENTS, IN CM: W 37 X H 141 X D 37
- RECOVERED WOOD BASE
- RECOVERED IRON STRUCTURE
- LED LAMPS
- ISINGLASS (A NATURAL GLUE DERIVED FROM WASTE MATERIAL FROM THE FOOD INDUSTRY)
- WEIGHT 120 KG

PORTHOLE LAMP



RECOVERED WOOD

- SOURCED IN PIEDMONT, ITALY
- RECOVERED FROM A DISMANTLED FARMSTEAD
- TREATED WITH LINSEED OIL



LAMPS

- RECOVERED FROM DISMANTLED SHIPS
- RETROFITTED WITH LED LIGHTS



LINSEED OIL

- PERMEABLE AND PROTECTIVE
- DERIVED FROM 100% COLD-PRESSED FLAXSEED

AESTHETIC

CRAFTED

CONSCIOUS