

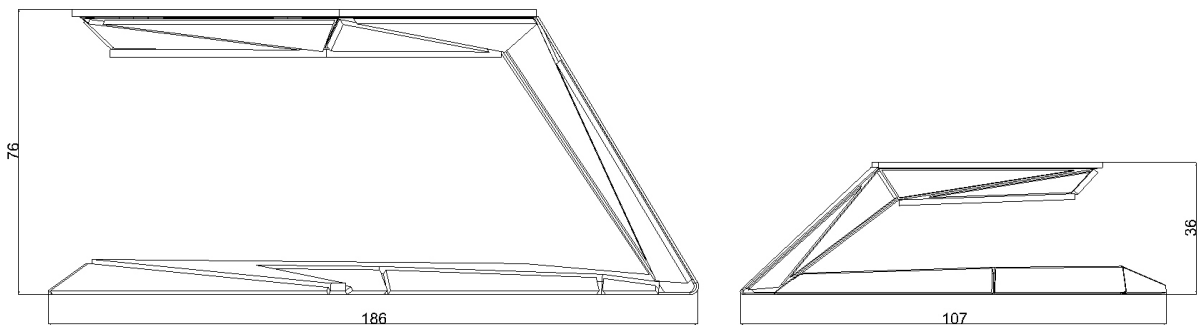
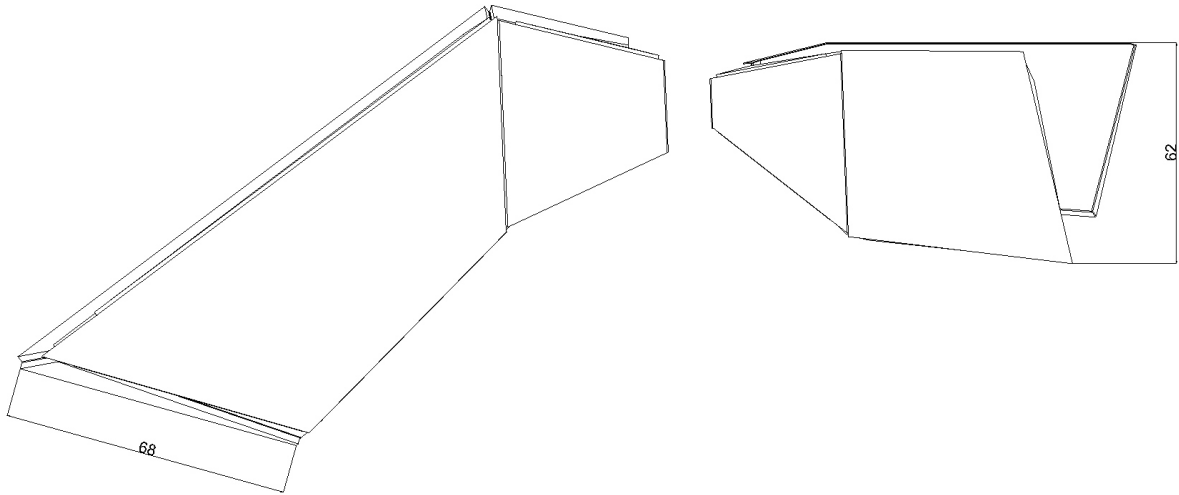
ENRICO MARONE CINZANO  
FURNITURE

DESK

# DESK



# DESK



- MEASUREMENTS, IN CM: DESK W 186 X H 76 X D 68  
SIDE DESK W 107 X H 36 X D 62
- SUSTAINING STRUCTURE IN BLACKENED STEEL
- CLADDING IN PINUS CEMBRA
- SURFACES TREATED WITH LINSEED OIL
- ISINGLASS (A NATURAL GLUE DERIVED FROM WASTE MATERIAL FROM THE FOOD INDUSTRY)
- WEIGHT: DESK 140 KG  
SIDE DESK 65 KG

# DESK



CIRMOLO, ANCIENT PINUS CEMBRA

- WOOD ORIGINALLY HARVESTED FROM THE VARAITA VALLEY, PIEDMONT, ITALY
- PLANKS RECOVERED FROM DISMANTLED MOUNTAIN CHALETS ORIGINALLY BUILT IN THE 18TH CENTURY
- DOES NOT REQUIRE SPECIAL FINISHES BUT CAN BE TREATED WITH NATURAL BEESWAX
- THE WOOD WAS TREATED TO CONFORM TO INTERNATIONAL SHIPPING REQUIREMENTS TO REMOVE ALL MICROORGANISMS



STEEL FE 37

- RAW MATERIAL LOCALLY SOURCED
- HANDCRAFTED IN TURIN, ITALY
- DOES NOT REQUIRE SPECIAL FINISHES BUT CAN BE TREATED WITH LINSEED OIL
- MAINTENANCE-FREE
- RECOVERED, RECYCLABLE, MONOMATERIAL

# DESK



## LINSEED OIL

- PERMEABLE AND PROTECTIVE
- DERIVED FROM 100% COLD-PRESSED FLAXSEED



## NATURAL GLUE

- HOMEMADE NATURAL GLUE  
DERIVED FROM FOOD INDUSTRY  
BY-PRODUCTS
- NONTOXIC

AESTHETIC

CRAFTED

CONSCIOUS