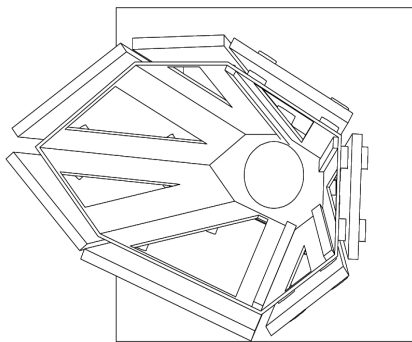
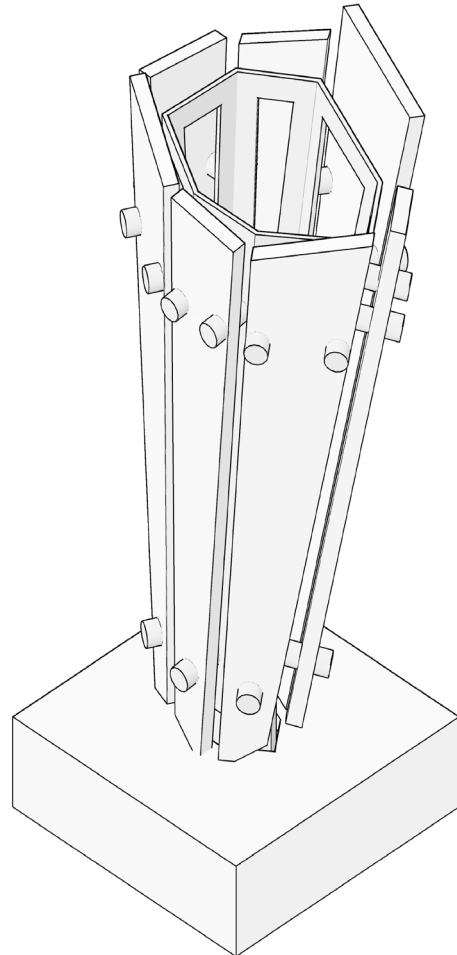
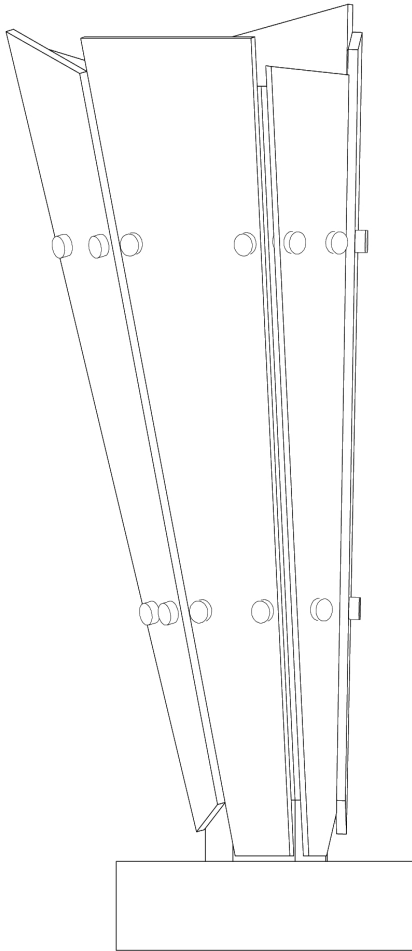


ENRICO MARONE CINZANO

FURNITURE

MAINTENANCE INSTRUCTIONS

LAMP 4 SMALL



LAMP 4 SMALL

MAINTENANCE INSTRUCTIONS

WOOD SURFACES:

DUST WITH A SOFT AND COMPLETELY DRIED CLOTH.
FOR A BETTER AND LONG-LASTING PROTECTION EVERY 6
MONTHS TREAT THE WOOD WITH LINSEED OIL.

STEEL SURFACES:

DUST WITH A SOFT AND WET CLOTH, USING ONLY NEUTRAL
DETERGENTS.

GLASS SURFACES:

CLEAN THE GLASS WITH A WET CLOTH, USING ONLY NEU-
TRAL DETERGENTS.