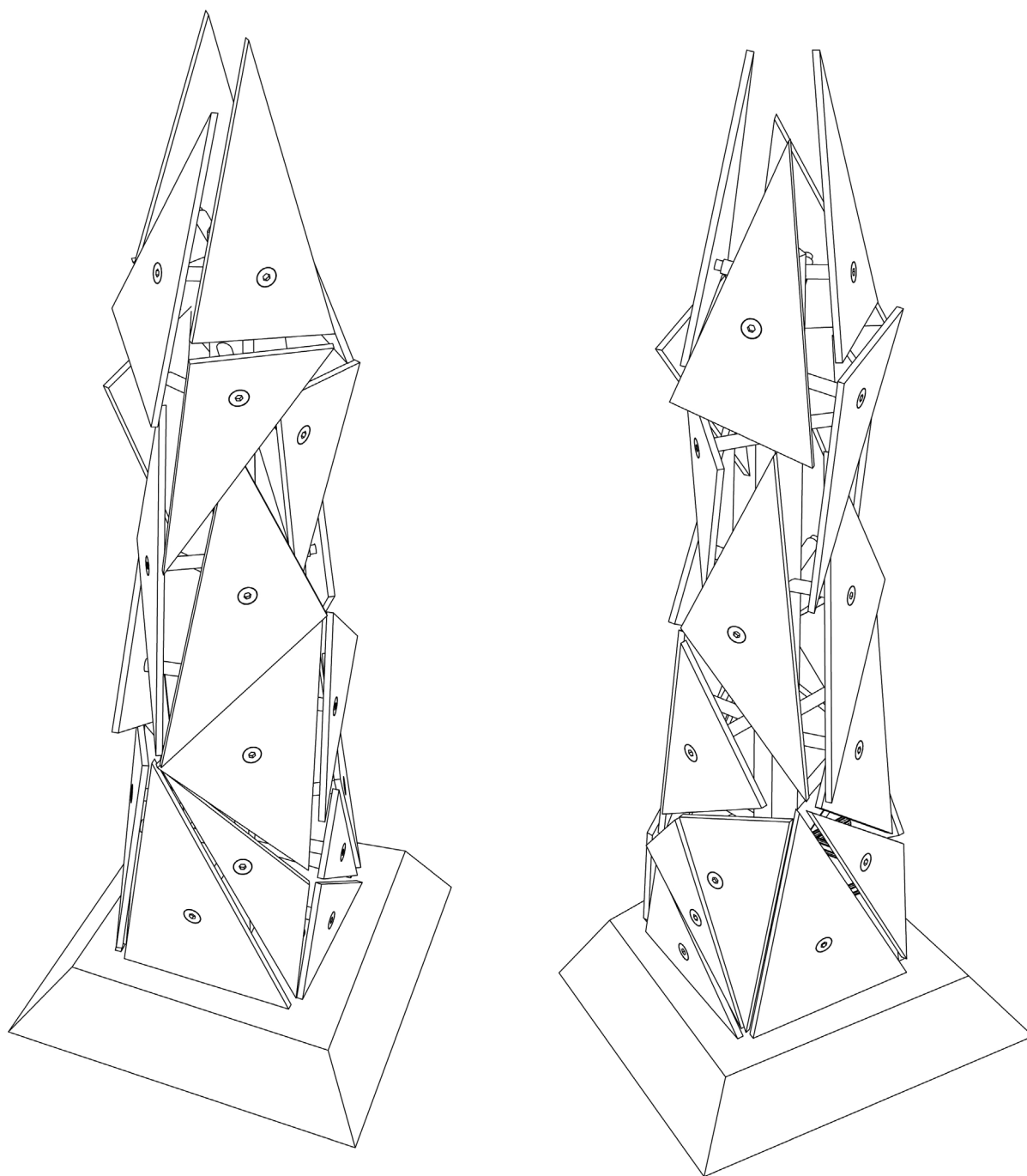


ENRICO MARONE CINZANO

FURNITURE

ASSEMBLY INSTRUCTIONS

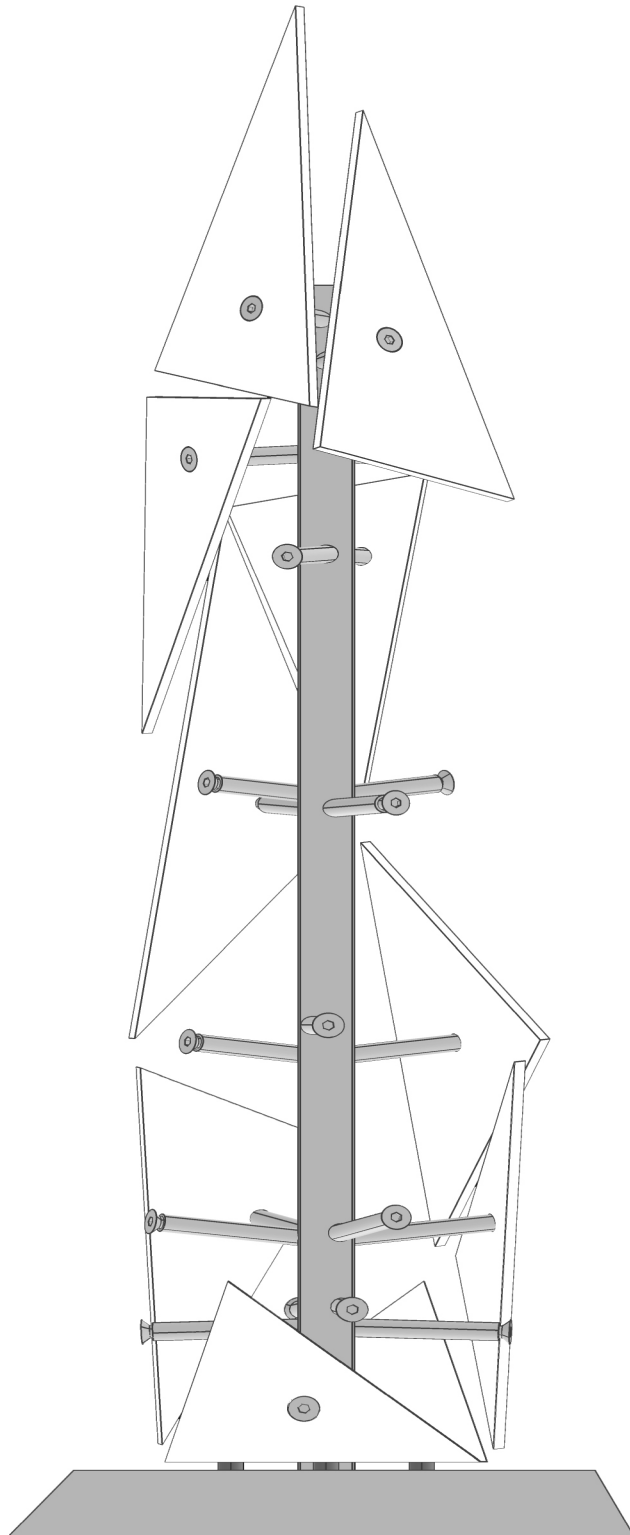
LAMP 5 BIG



THE CORRECT ASSEMBLY REQUIRES 1 PERSON.
HEX KEYS ARE REQUIRED.

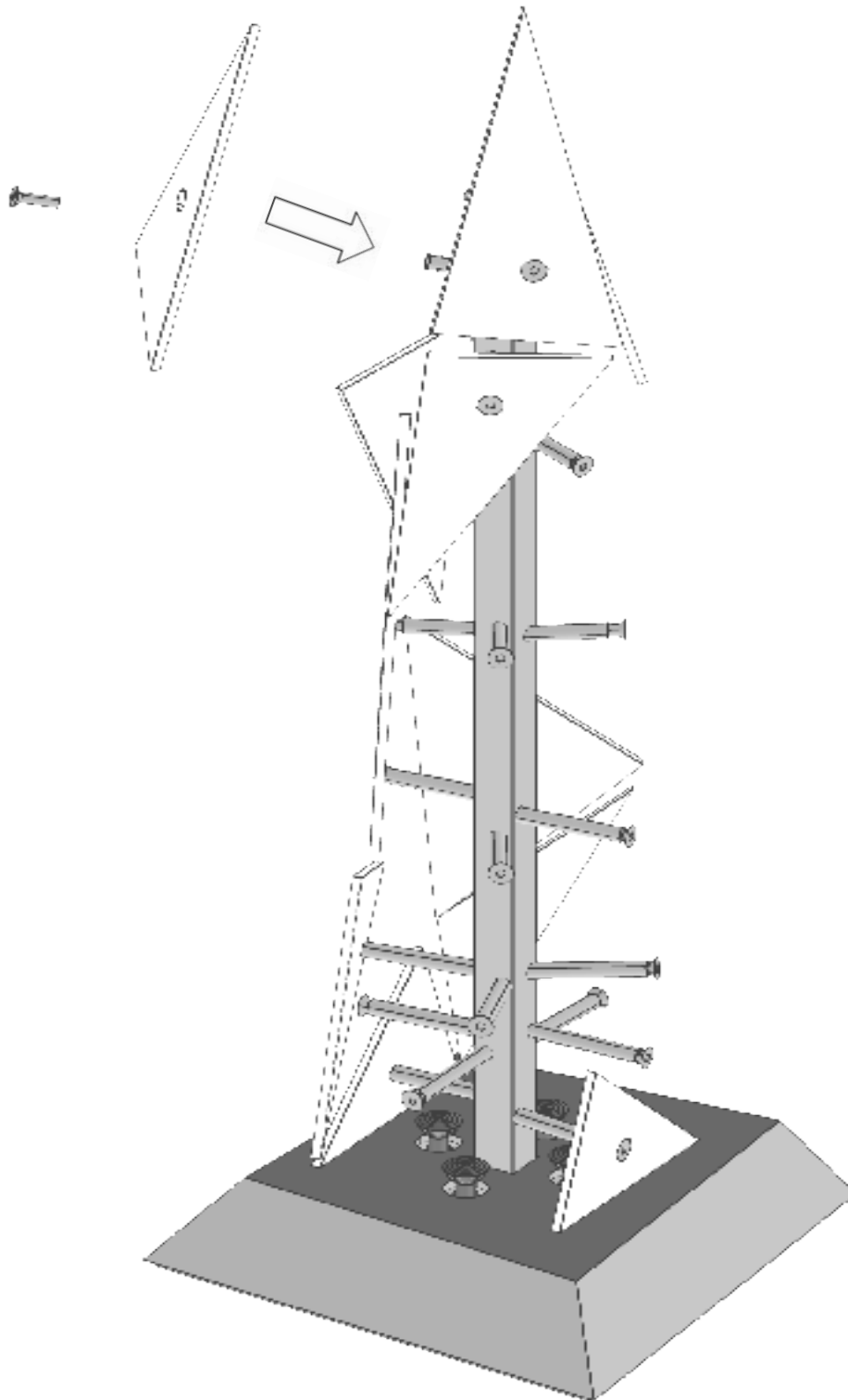
LAMP 5 BIG

1.



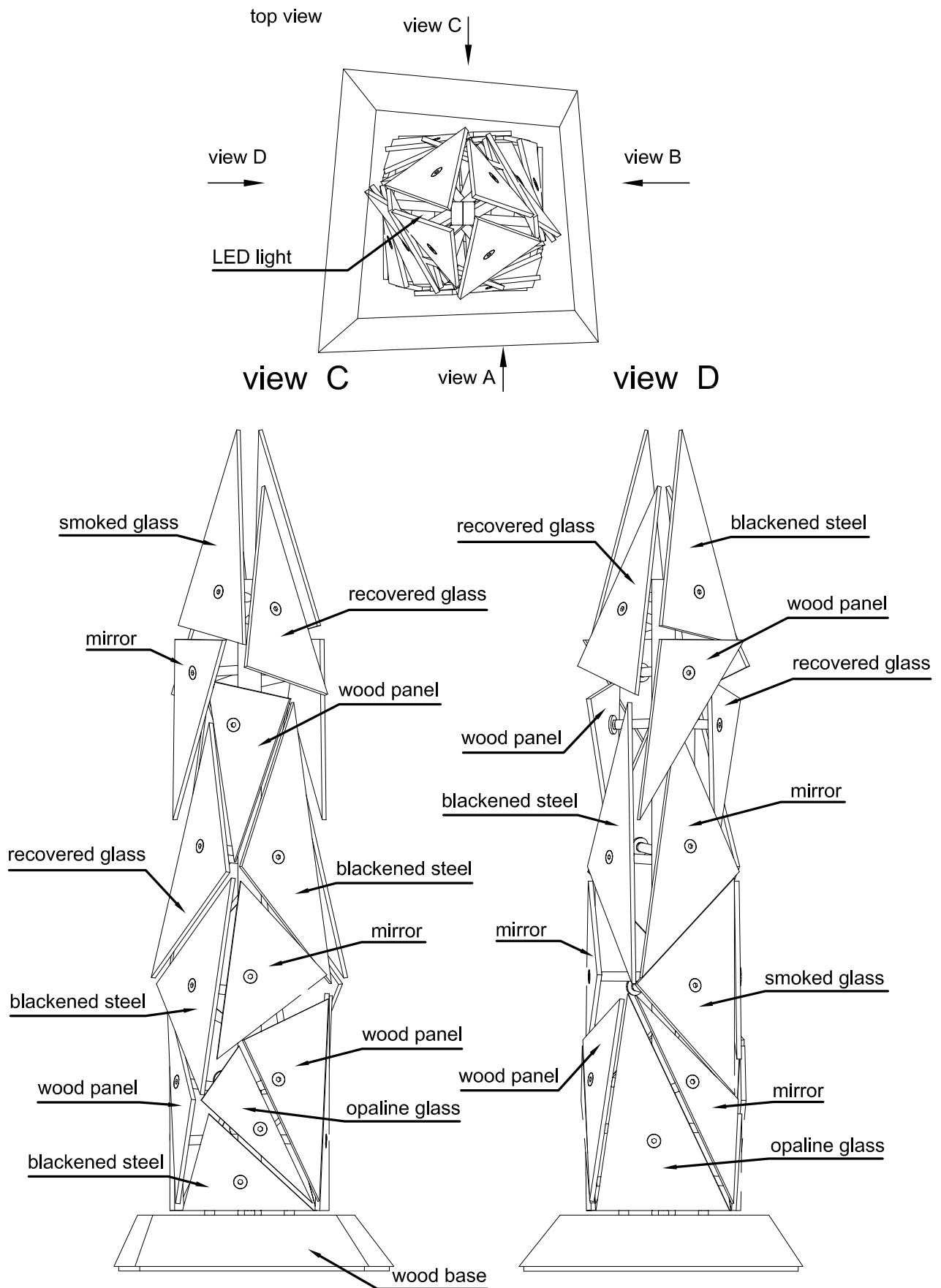
LAMP 5 BIG

2.



SCREW THE GLASS TRIANGLES BY MATCHING THE NUMBER OF THE TRIANGLE WITH THE NUMBER OF THE STEEL BUSHING. THE OPERATION MUST BE CARRIED OUT VERY CAREFULLY NOT TO OVERTIGHTEN THE SCREW, AVOIDING TO BREAK THE GLASS.

LAMP 5 BIG



LAMP 5 BIG

MAINTENANCE INSTRUCTIONS

WOOD SURFACES:

DUST WITH A SOFT AND COMPLETELY DRIED CLOTH.
EVERY 6 MONTHS APPLY ON CLEANED SURFACES A
LAYER OF BEESWAX.

OXIDIZED STEEL SURFACES:

DUST WITH A SOFT AND COMPLETELY DRIED CLOTH.
EVERY 6 MONTHS APPLY ON CLEANED SURFACES A LAYER OF
BEESWAX, INTENDED FOR METAL PARTS TREATMENTS.

GLASS SURFACES:

CLEAN THE GLASS WITH A WET CLOTH, USING ONLY NEU-
TRAL DETERGENTS SO AS NOT TO AFFECT THE METAL PARTS
AND MECHANICAL COMPONENTS .