

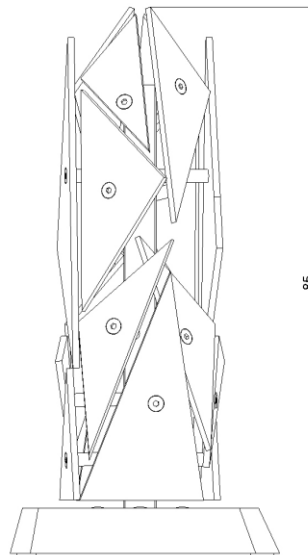
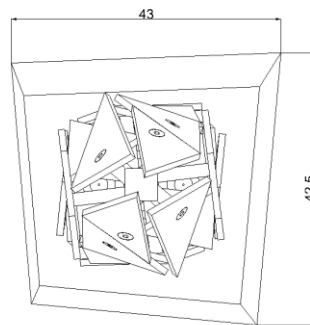
ENRICO MARONE CINZANO
FURNITURE

LAMP 5 SMALL

LAMP 5 SMALL



LAMP 5 SMALL



- MEASUREMENTS, IN CM: W 43 X H 85 X D 42.5
- SUSTAINING STRUCTURE IN BLACKENED STEEL
- STAND IN PINUS CEMBRA
- TRIANGULAR-SHAPED SEGMENTS MADE FROM RECOVERED GLASS
- HEMP GASKETS
- LED LIGHT BULB
- CE PATENTED:
LAMP 04 EMC4
LOW VOLTAGE 2006/95/CE
ELECTROMAGNETIC COMPATIBILITY 2004/108/CE
- ISINGLASS (A NATURAL GLUE DERIVED FROM WASTE MATERIAL FROM THE FOOD INDUSTRY)
- WEIGHT 28 KG

LAMP 5 SMALL



CIRMOLO, ANCIENT PINUS CEMBRA

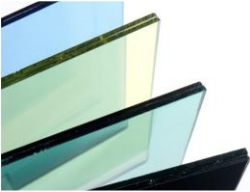
- WOOD ORIGINALLY HARVESTED FROM THE VARAITA VALLEY, PIEDMONT, ITALY
- PLANKS RECOVERED FROM DISMANTLED MOUNTAIN CHALET'S ORIGINALLY BUILT IN THE 18TH CENTURY
- DOES NOT REQUIRE SPECIAL FINISHES BUT CAN BE TREATED WITH NATURAL BEESWAX
- THE WOOD WAS TREATED TO CONFORM TO INTERNATIONAL SHIPPING REQUIREMENTS TO REMOVE ALL MICROORGANISMS



STEEL FE 37

- RAW MATERIAL LOCALLY SOURCED
- HANDCRAFTED IN TURIN, ITALY
- DOES NOT REQUIRE SPECIAL FINISHES BUT CAN BE TREATED WITH LINSEED OIL
- MAINTENANCE-FREE
- RECOVERED, RECYCLABLE, MONOMATERIAL

LAMP 5 SMALL



GLASS AND MIRRORS

- LOCALLY SOURCED
- FROM INDUSTRIAL LEFTOVERS
- RECOVERED, RECYCLABLE, MONOMATERIAL



HEMP

- LOCALLY GROWN HEMP FROM THE VALLEY OF PIEDMONT, ITALY
- STRONG AND LONG-LASTING FIBER
- NONTOXIC
- RECYCLED, RECYCLABLE, MONOMATERIAL

LAMP 5 SMALL



LINSEED OIL

- PERMEABLE AND PROTECTIVE
- DERIVED FROM 100% COLD-PRESSED FLAXSEED



NATURAL GLUE

- HOMEMADE NATURAL GLUE
DERIVED FROM FOOD INDUSTRY
BY-PRODUCTS
- NONTOXIC

LAMP 5 SMALL



LIGHT SOURCES

- LIFETIME FROM 25.000 TO 45.000 HOURS
- UV-FREE
- MASTER LED SPOT 12V
- 500 MA - 4 LED 2W (8W TOT)
- 2800 K
- 900 CD
- ANGLE 60°
- PLUG-IN GU10

AESTHETIC

CRAFTED

CONSCIOUS