

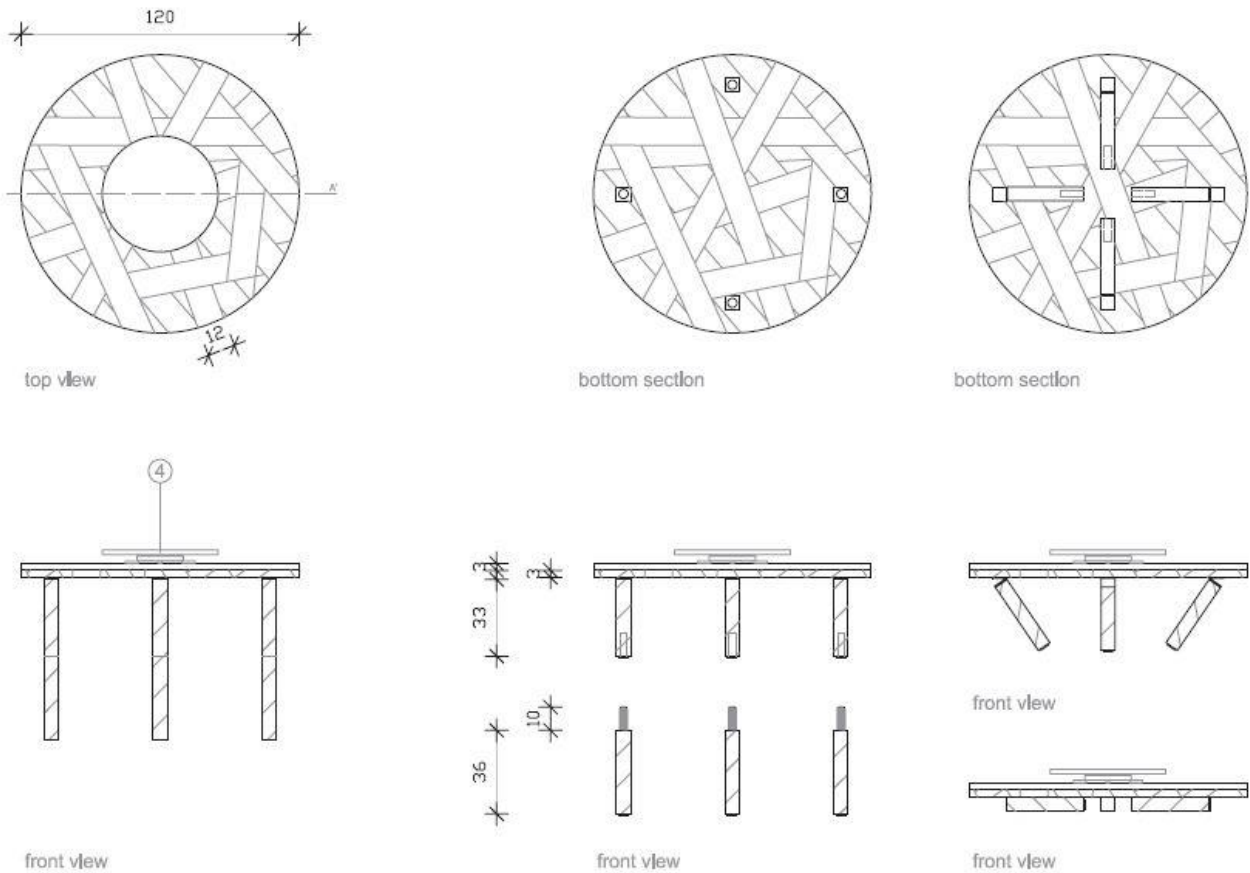
ENRICO MARONE CINZANO
FURNITURE

TABLE

TABLE



TABLE



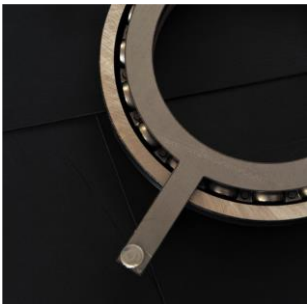
- MEASUREMENTS, IN CM: W 120 X H 76 X D 76
- SUPPORTING STRUCTURE IN ALPI ECO-PANELS
- MECHANICAL AND LOCKING MECHANISM IN POWDER COATED RECOVERED STEEL
- OUTER LINING IN VEGETABLE-DYED LEATHER
- TABLE TOP IN LEAD-FREE GLASS
- RECOVERED BALL BEARING

TABLE



ALPI ECO-PANELS

- NONTOXIC, DOES NOT CONTAIN POLLUTING AGENTS
- HAS NOT UNDERGONE CHEMICAL TREATMENTS
- FSC 100% RECYCLED
- RECYCLED, RECYCLABLE, MONOMATERIAL



STEEL

- CRAFTED IN MANZANO, FRIULI VENEZIA GIULIA, ITALY
- POWDER COATED
- DOES NOT REQUIRE ADDITIONAL TREATMENTS
- NO MAINTENANCE REQUIRED
- RECYCLED. RECYCLABLE, MONOMATERIAL

TABLE



LEAD-FREE GLASS

- CRAFTED IN MANZANO, FRIULI VENEZIA GIULIA, ITALY
- INERT GLASS
- DOES NOT EMIT HARMFUL GASES
- RECYCLABLE, BIODEGRADABLE, MONOMATERIAL



VEGETABLE-TANNED LEATHER

- SOURCED AND MADE IN TARNSTO, SWEDEN
- LEATHER FROM LOCALLY RAISED CATTLE
- TREATED AND DYED WITH VEGETABLE-DERIVED PRODUCTS
- NONTOXIC, DOES NOT CONTAIN POLLUTING AGENTS
- HAS NOT UNDERGONE CHEMICAL TREATMENTS
- RECYCLABLE, BIODEGRADABLE, MONOMATERIAL

AESTHETIC

CRAFTED

CONSCIOUS