

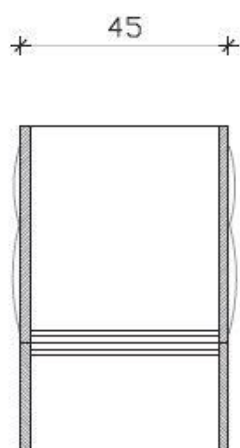
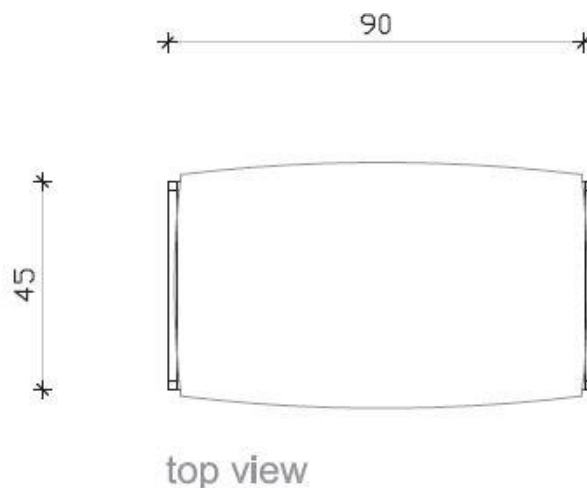
ENRICO MARONE CINZANO
FURNITURE

FOOTREST

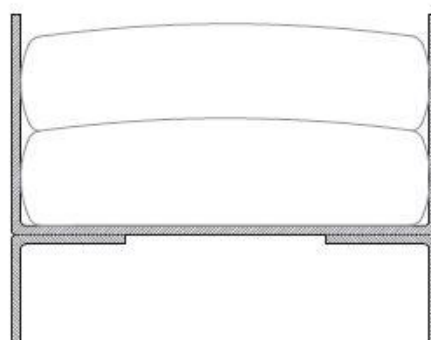
FOOTREST



FOOTREST



sideview



front view

- MEASUREMENTS, IN CM: W 103 X H 45 X D 45
- STRUCTURE IN TORZO SURFACES ORIENT (ONYX)
- MECHANICAL AND LOCKING MECHANISM IN POWDER COATED RECOVERED STEEL
- PILLOWS IN ORGANIC COTTON
- INTERIOR LINING IN 100% COTTON
- FILLER IN MICROCELLULAR EXPANDING FOAM OF VEGETABLE ORIGIN LINED WITH RECYCLED BATTING

FOOTREST



TORZO SURFACES ORIENT (ONYX)

- MADE IN USA
- PANELS MADE OF 75% RECYCLED WOOD CHIPS FROM INDUSTRIAL REFUSE, HELD TOGETHER BY PRESSURE
- DOES NOT REQUIRE ADDITIONAL TREATMENTS
- NONTOXIC, DOES NOT CONTAIN POLLUTING AGENTS
- HAS NOT UNDERGONE CHEMICAL TREATMENTS
- RECYCLED, RECYCLABLE, MONOMATERIAL
- BIODEGRADABLE
- LEED CERTIFIED

FOOTREST



STEEL

- CRAFTED IN MANZANO, FRIULI VENEZIA GIULIA, ITALY
- POWDER COATED
- DOES NOT REQUIRE ADDITIONAL TREATMENTS
- NO MAINTENANCE REQUIRED
- RECYCLED. RECYCLABLE, MONOMATERIAL



COTTON FABRIC

- ORIGINATED FROM AND CRAFTED IN MANZANO, FRIULI VENEZIA GIULIA, ITALY
- 100% ORGANIC COTTON
- NONTOXIC, DOES NOT CONTAIN POLLUTING AGENTS
- HAS NOT UNDERGONE CHEMICAL TREATMENTS
- RECYCLABLE, BIODEGRADABLE, MONOMATERIAL

AESTHETIC

CRAFTED

CONSCIOUS