

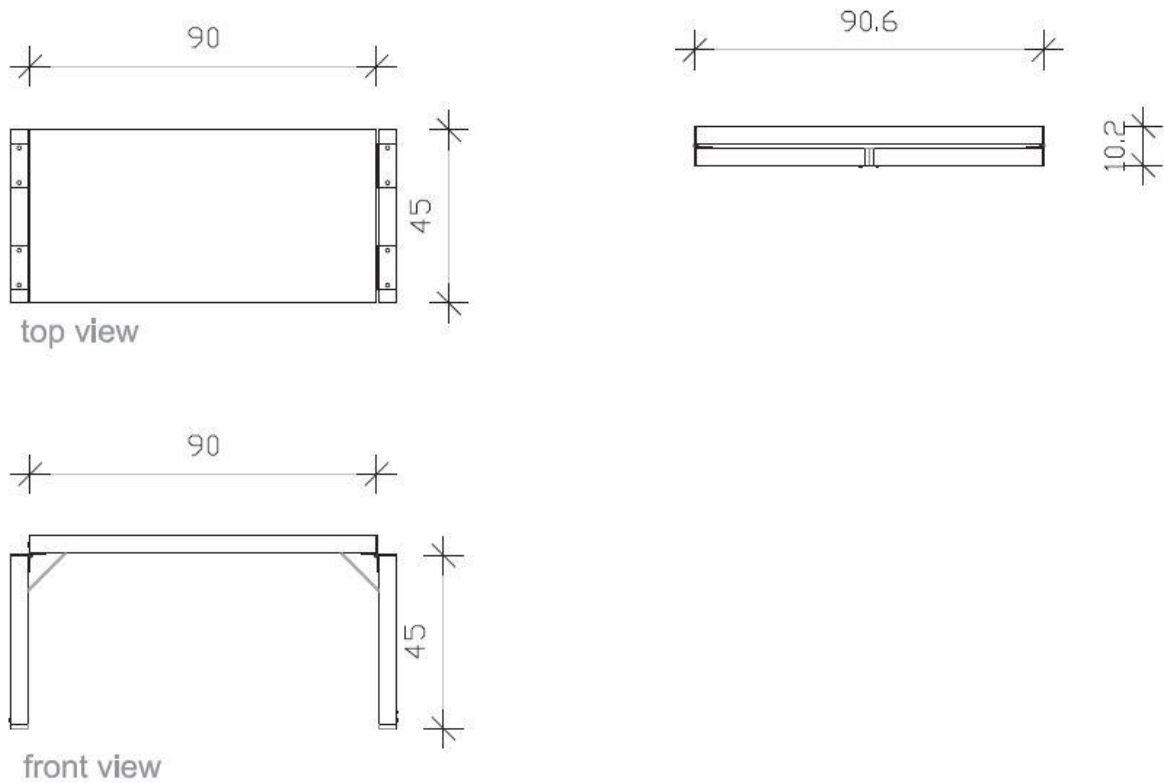
ENRICO MARONE CINZANO  
FURNITURE

COFFEE TABLE

# COFFEE TABLE



# COFFEE TABLE



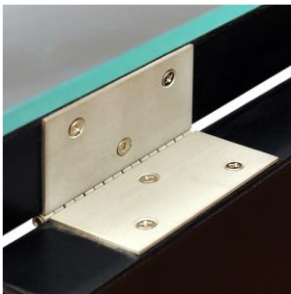
- MEASUREMENTS, IN CM: W 95 X H 45 X D 45
- SUPPORTING STRUCTURE IN ALPI ECO-PANELS
- MECHANICAL AND LOCKING MECHANISM IN POWDER COATED RECOVERED STEEL
- OUTER LINING IN VEGETABLE-DYED LEATHER
- TABLE TOP IN LEAD-FREE GLASS

# COFFEE TABLE



## ALPI ECO-PANELS

- NONTOXIC, DOES NOT CONTAIN POLLUTING AGENTS
- HAS NOT UNDERGONE CHEMICAL TREATMENTS
- RECYCLED, RECYCLABLE, MONOMATERIAL



## STEEL

- CRAFTED IN MANZANO, FRIULI VENEZIA GIULIA, ITALY
- POWDER COATED
- DOES NOT REQUIRE ADDITIONAL TREATMENTS
- NO MAINTENANCE REQUIRED
- RECYCLED. RECYCLABLE, MONOMATERIAL

# COFFEE TABLE



## LEAD-FREE GLASS

- CRAFTED IN MANZANO, FRIULI VENEZIA GIULIA, ITALY
- INERT GLASS
- DOES NOT EMIT HARMFUL GASES
- RECYCLABLE, BIODEGRADABLE, MONOMATERIAL



## VEGETABLE-TANNED LEATHER

- SOURCED AND MADE IN TARNSJO, SWEDEN
- LEATHER FROM LOCALLY RAISED CATTLE
- TREATED AND DYED WITH VEGETABLE-DERIVED PRODUCTS
- NONTOXIC, DOES NOT CONTAIN POLLUTING AGENTS
- HAS NOT UNDERGONE CHEMICAL TREATMENTS
- RECYCLABLE, BIODEGRADABLE, MONOMATERIAL

AESTHETIC

CRAFTED

CONSCIOUS