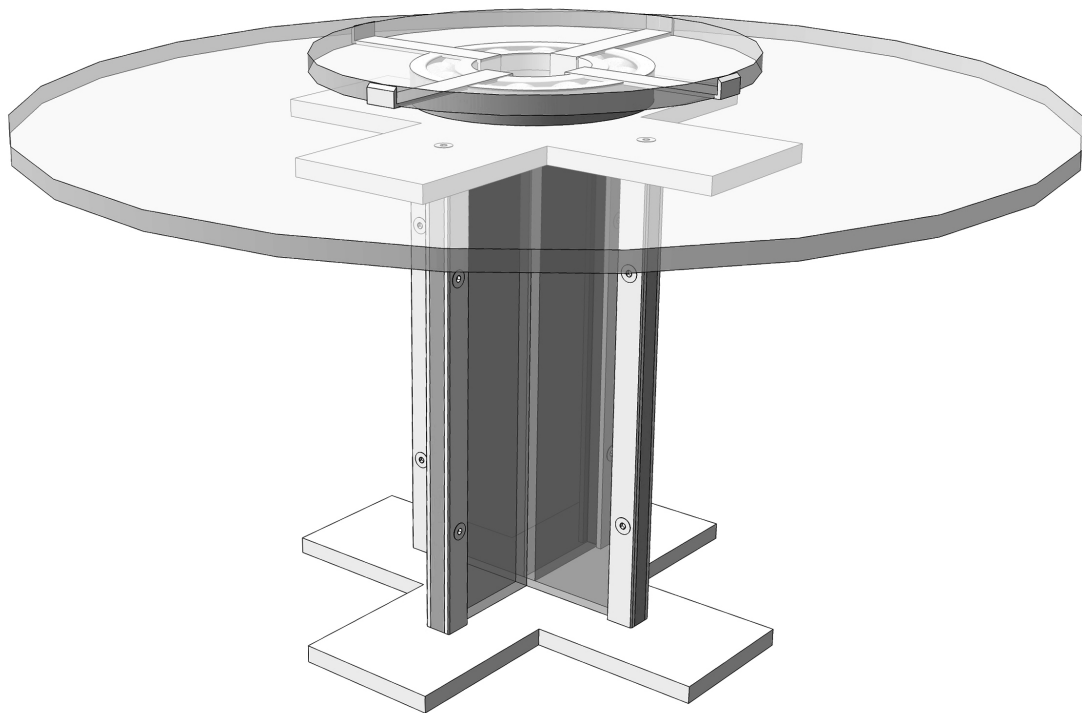
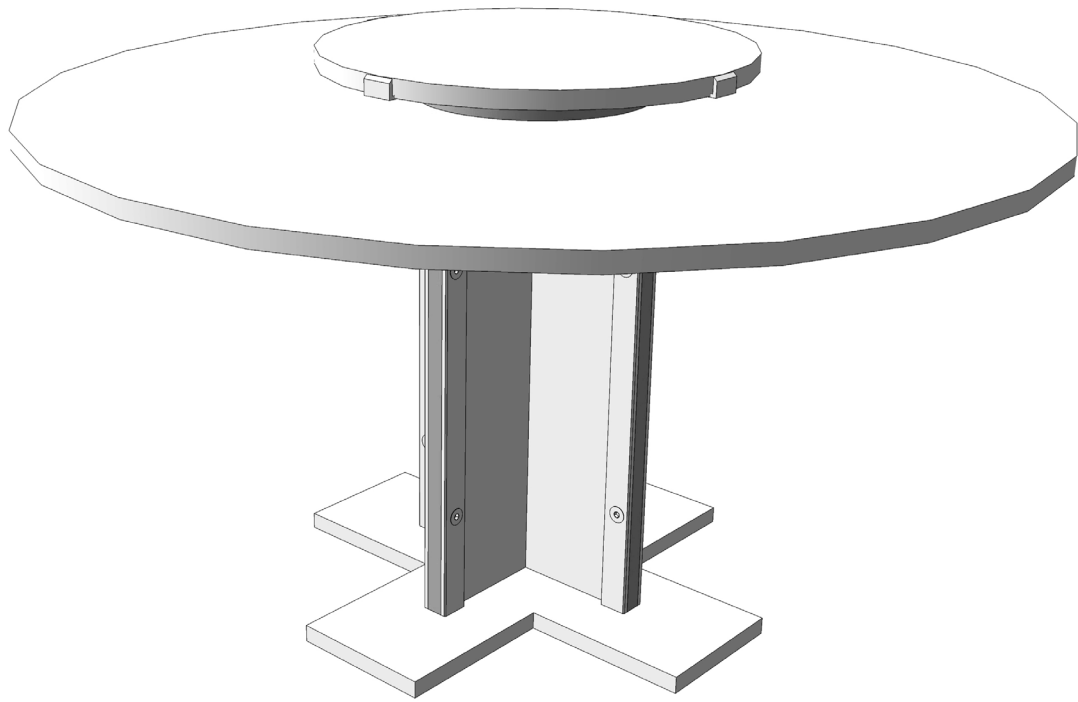


ENRICO MARONE CINZANO

FURNITURE

ASSEMBLY INSTRUCTIONS

TABLE

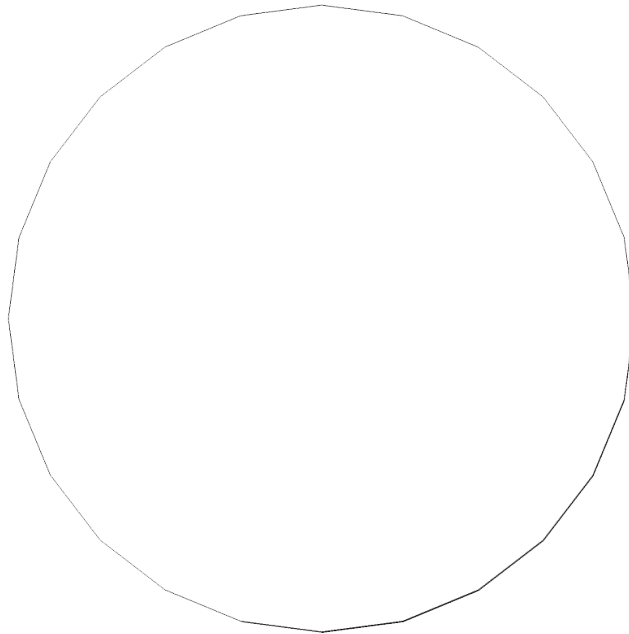


THE CORRECT ASSEMBLY REQUIRES 2 PERSONS.
HEX KEYS ARE REQUIRED.

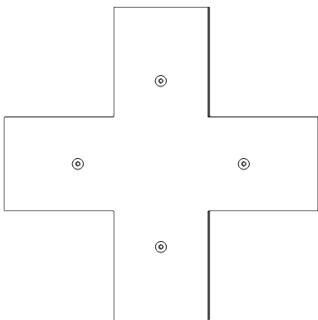
ENRICOMARONECINZANO.COM

ROUND TABLE WITH LAZY

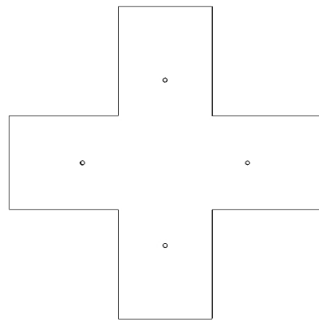
GLASS TOP



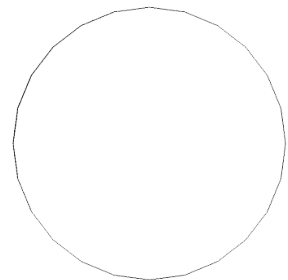
LOWER CROSS SUPPORT



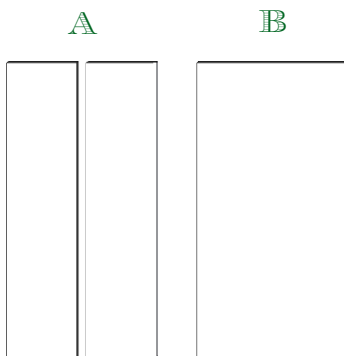
UPPER CROSS SUPPORT



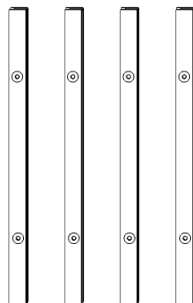
LAZY GLASS



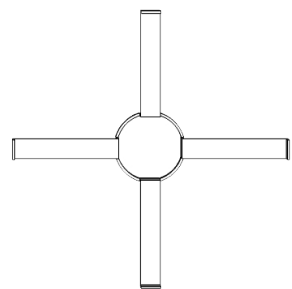
GLASS SHEETS
ELEMENT "A" (X2)
ELEMENT "B" (X1)



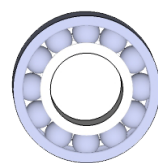
METAL FRAME
ELEMENTS (X4)



LAZY SUPPORT



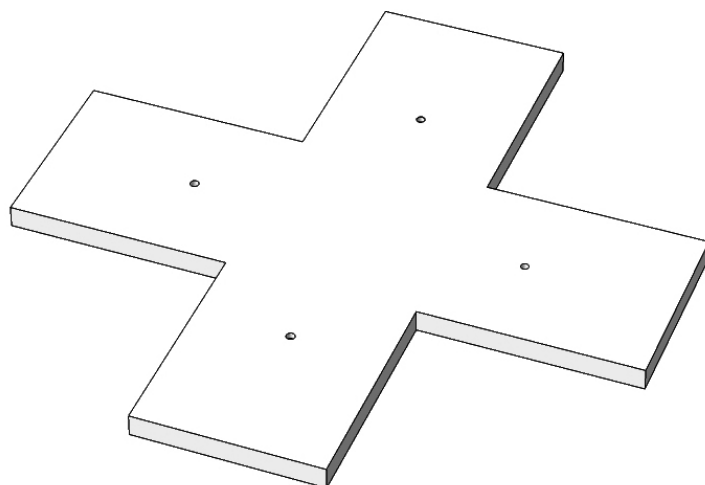
BALL BEARING



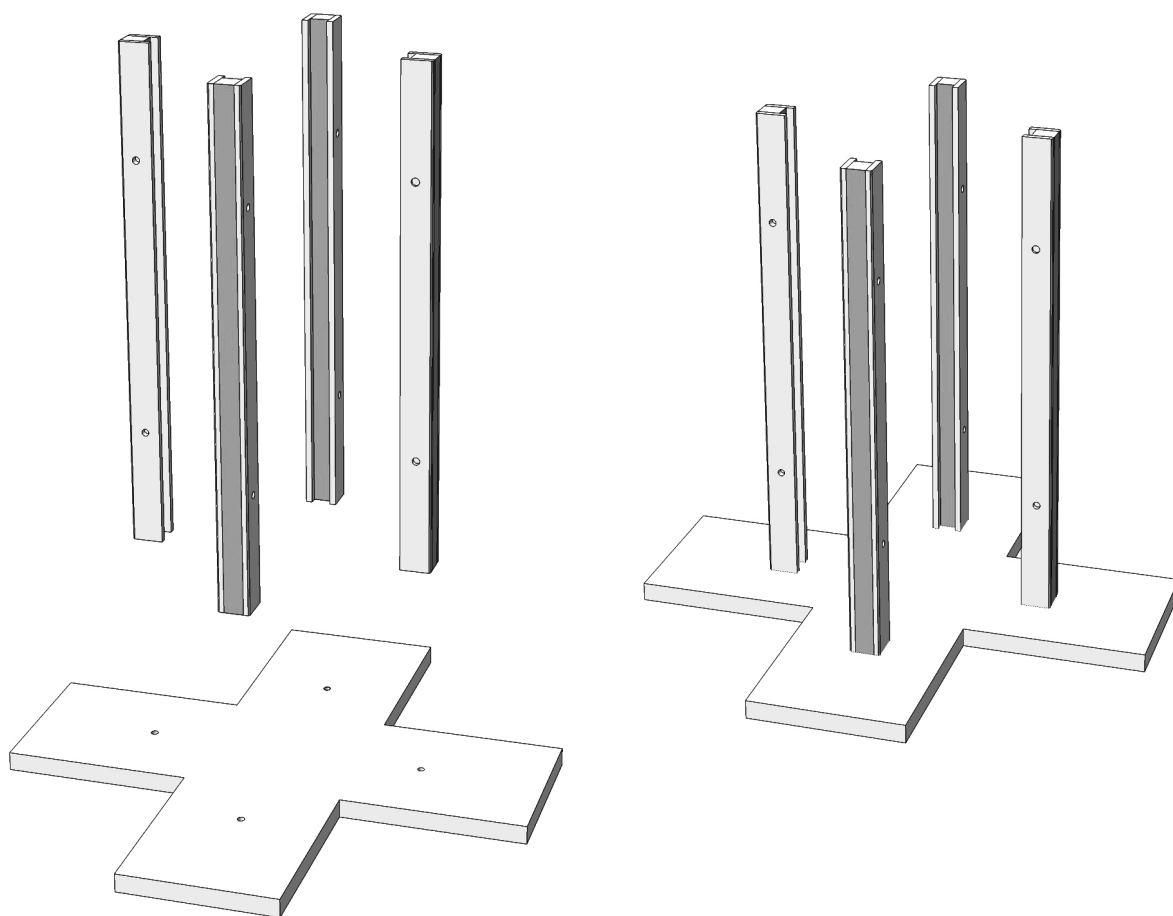
THE CORRECT ASSEMBLY REQUIRES 2 PERSONS.
HEX KEYS ARE REQUIRED.

ROUND TABLE WITH LAZY

1.

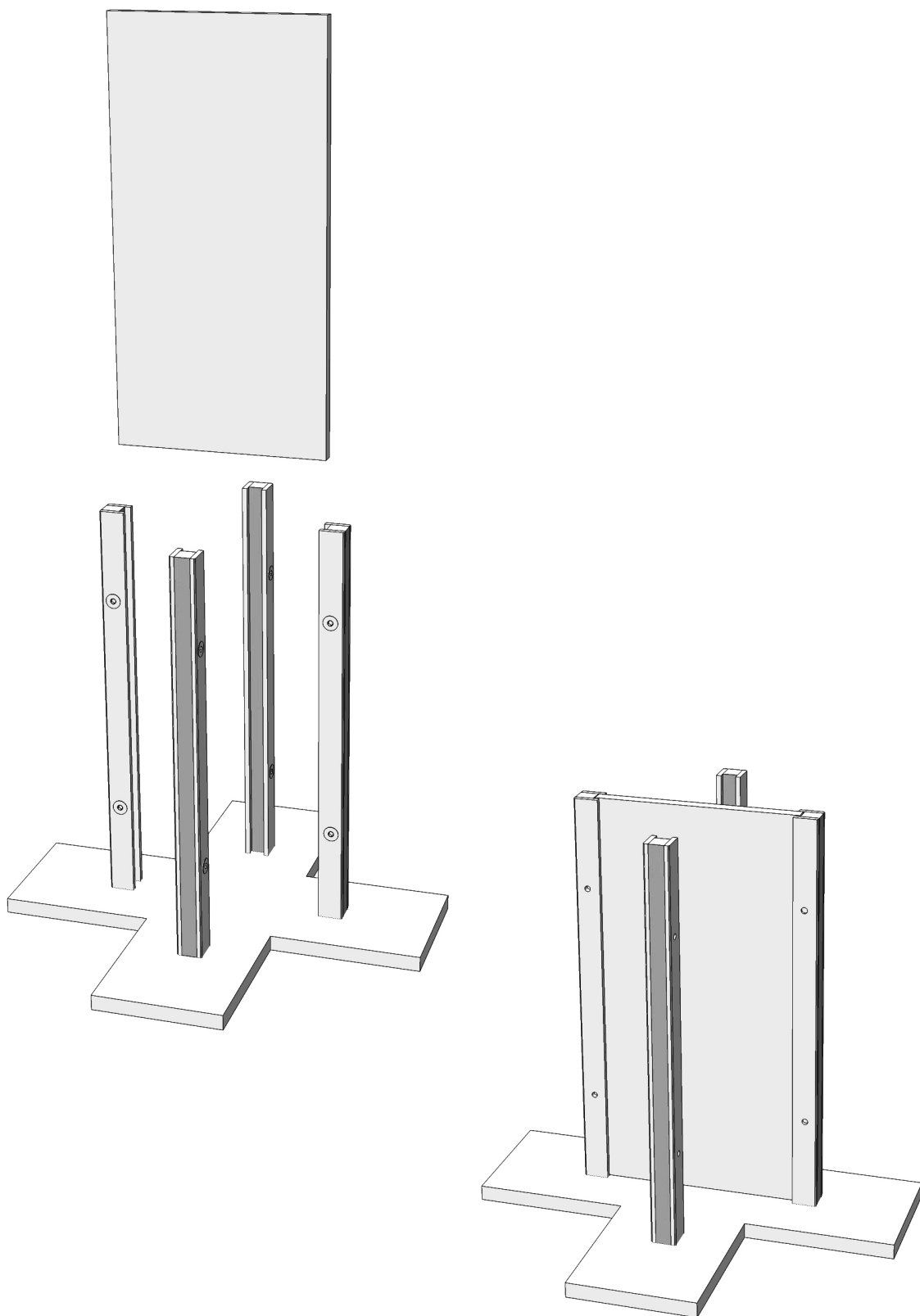


2.



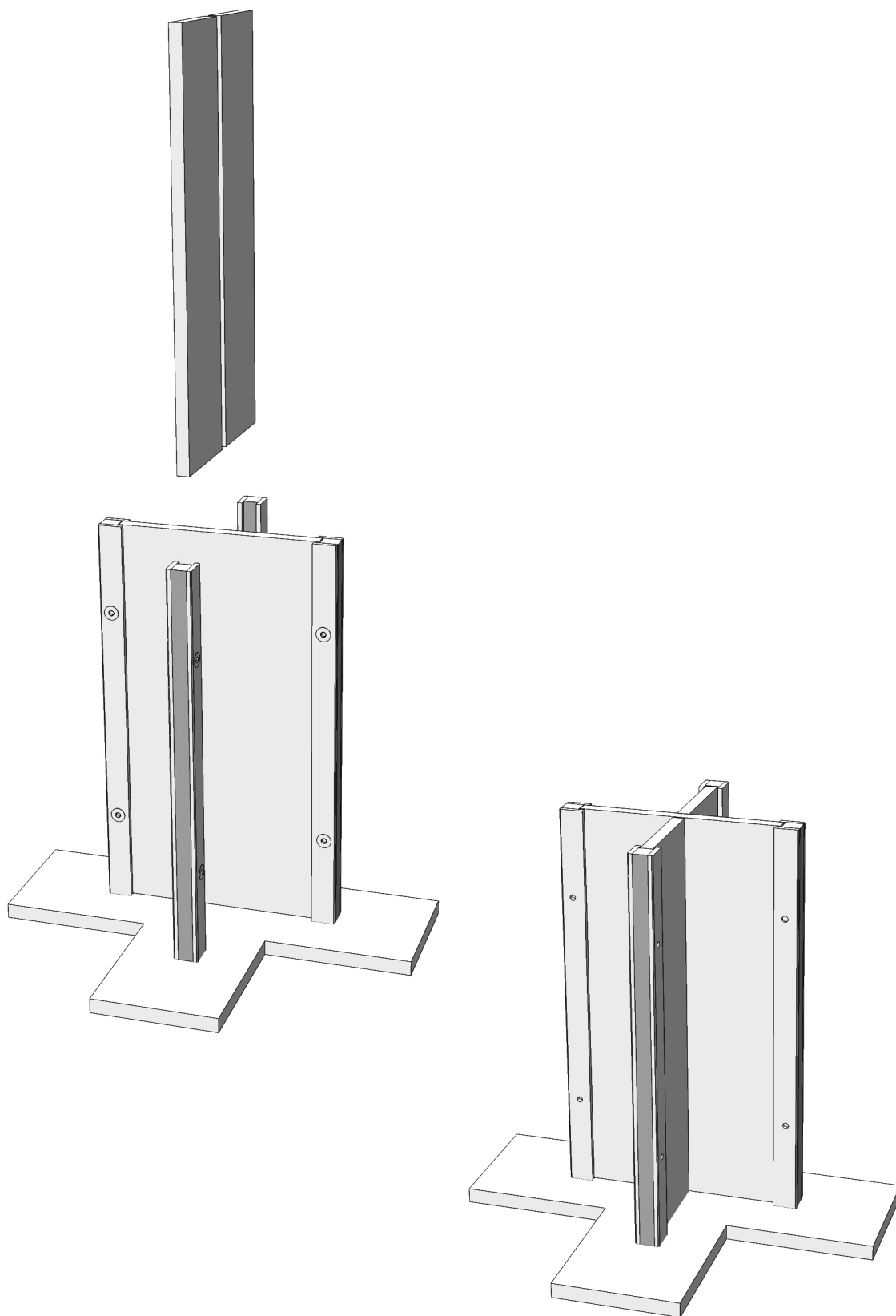
ROUND TABLE WITH LAZY

3.



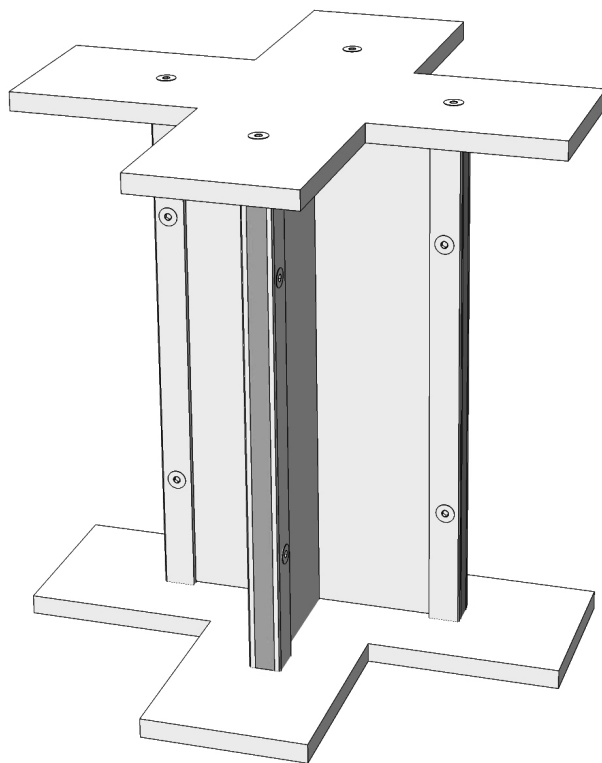
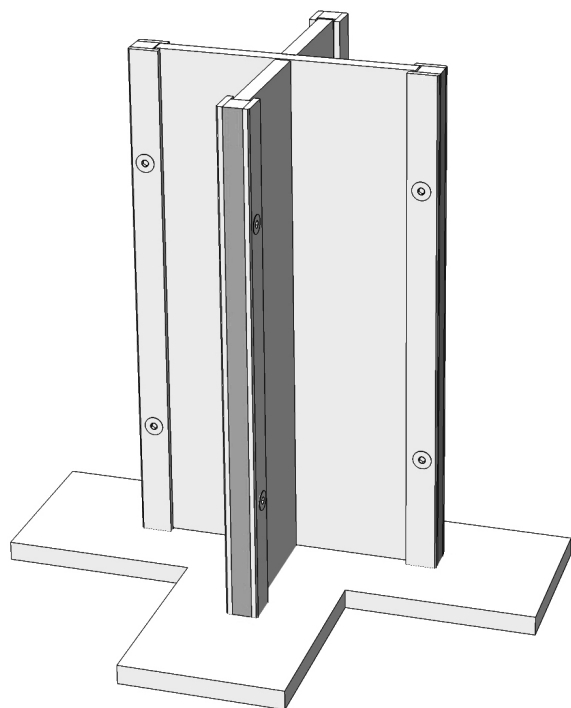
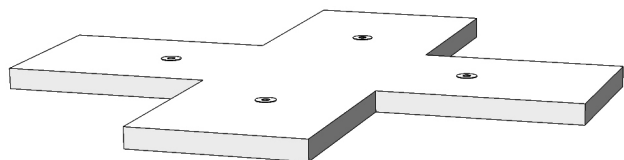
ROUND TABLE WITH LAZY

4.



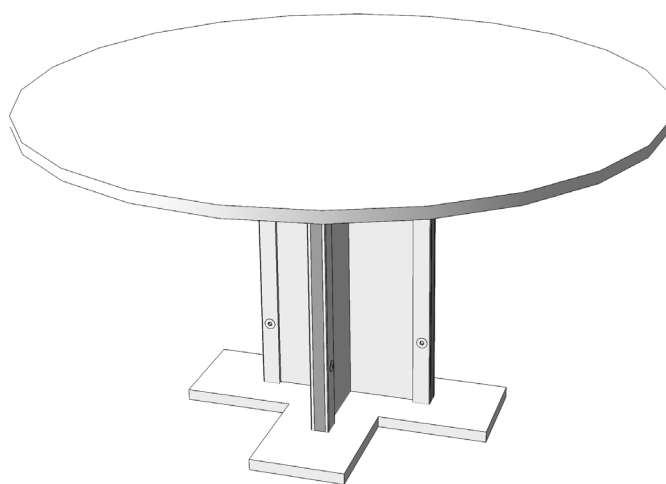
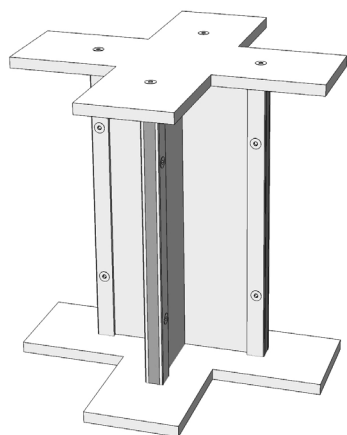
ROUND TABLE WITH LAZY

5.

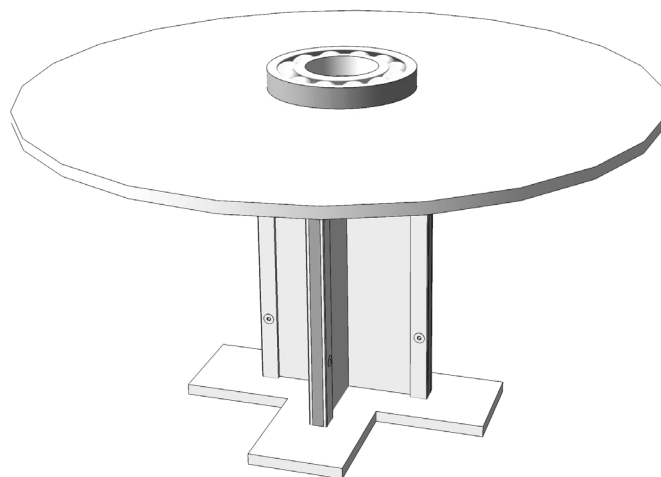
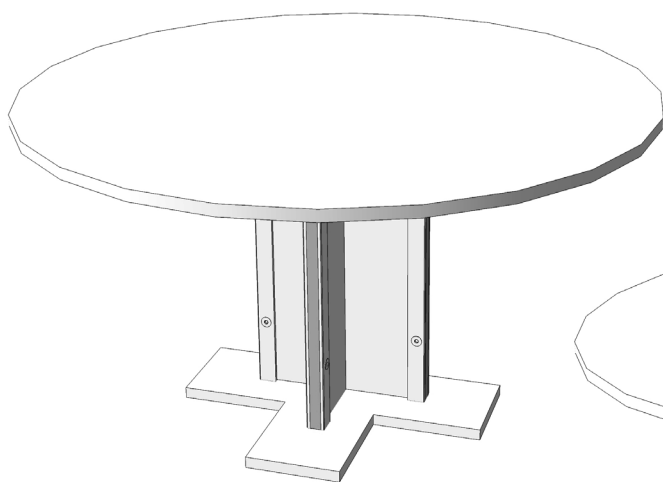


ROUND TABLE WITH LAZY

6.

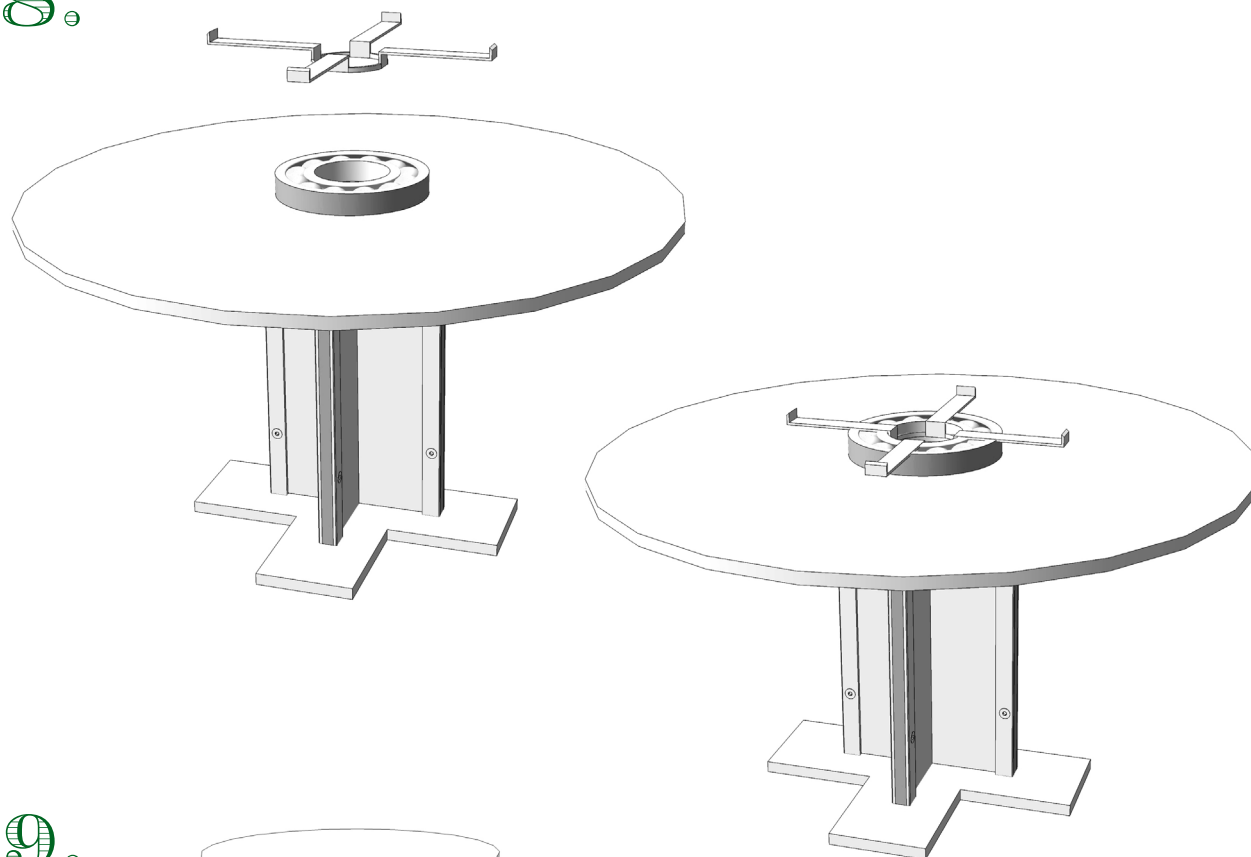


7.

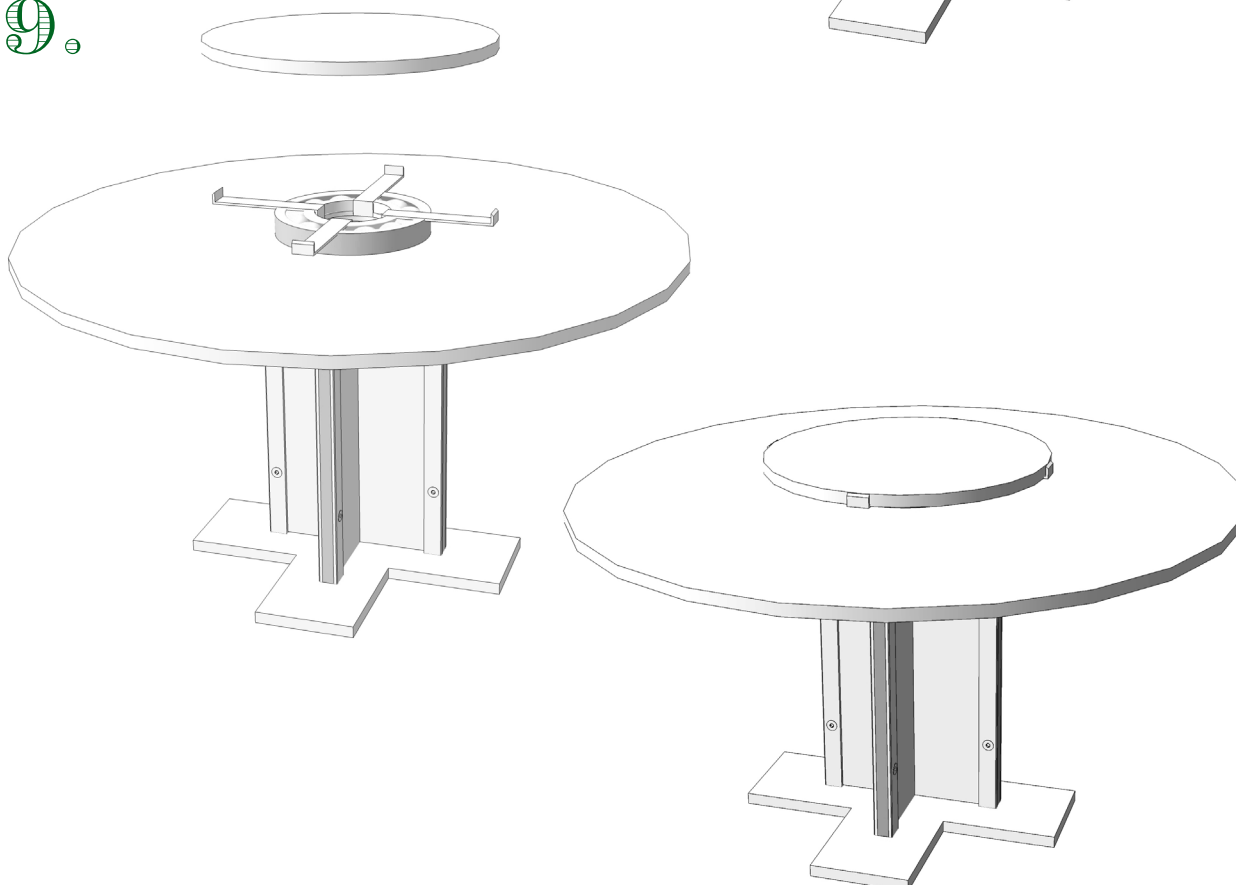


ROUND TABLE WITH LAZY

8.



9.



ROUND TABLE WITH LAZY

MAINTENANCE INSTRUCTIONS

OXIDIZED STEEL SURFACES:

DUST WITH A SOFT AND COMPLETELY DRIED CLOTH.
EVERY 12 MONTHS APPLY A LAYER OF BEESWAX, INTENDED
FOR METAL PARTS TREATMENTS.

GLASS SURFACES:

CLEAN THE GLASS WITH A WET CLOTH, USING ONLY NEU-
TRAL DETERGENTS SO AS NOT TO AFFECT THE METAL PARTS
AND MECHANICAL COMPONENTS .

VIDEO INSTRUCTIONS: [HTTPS://VIMEO.COM/39938306](https://vimeo.com/39938306)