

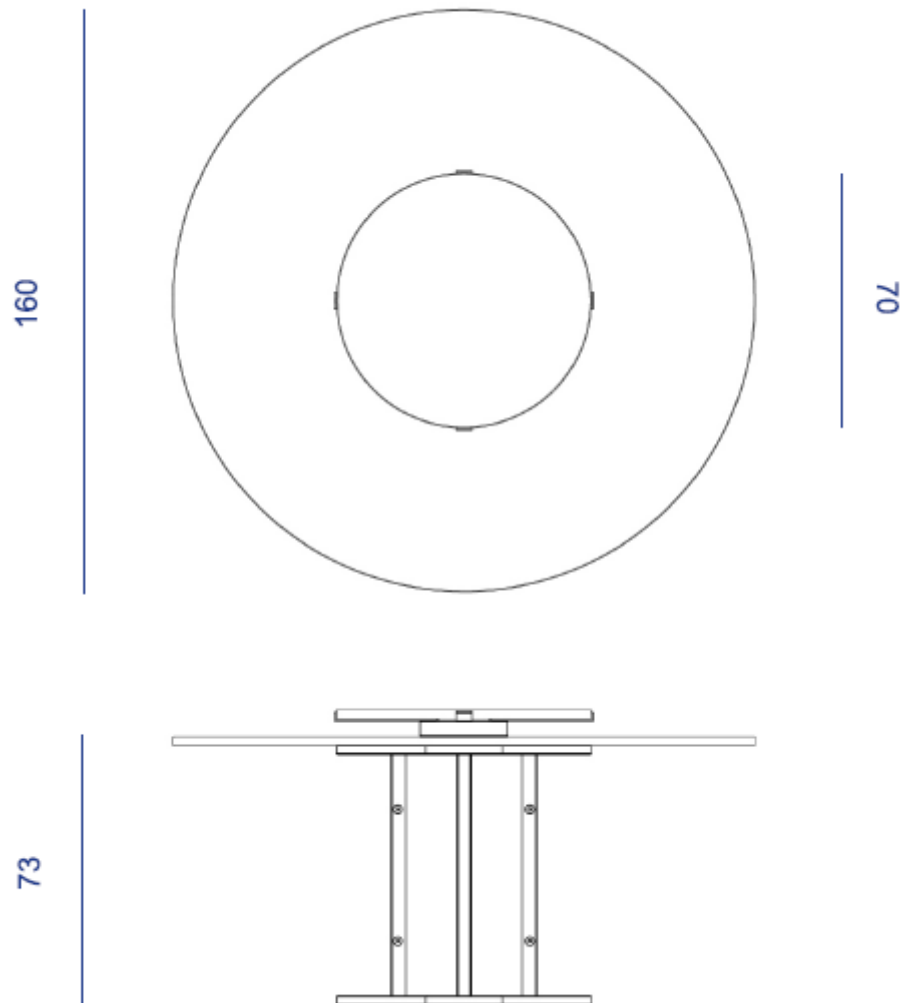
ENRICO MARONE CINZANO  
FURNITURE

TABLE

# TABLE



# COFFEE TABLE



- MEASUREMENTS, IN CM: D 160 X H 73
- STRUCTURE IN OXIDIZED STEEL
- TOP IN GLASS
- CENTRAL SHAFT IN GLASS
- METALLIC FRAME AND JOINTS IN OXIDIZED STEEL
- GASKETS IN CORK AND CANVAS
- RECOVERED BALL BEARING
- SURFACES TREATED WITH BEESWAX

# TABLE



## STEEL

- OXIDIZED STEEL
- HANDCRAFTED IN TURIN, ITALY
- SUPERFICIALLY TREATED WITH A WATER-BASED SOLUTION OF VINEGAR AND SODIUM CHLORIDE (UNREFINED COARSE SALT)
- MAINTENANCE-FREE
- TREATED WITH BEESWAX
- RECOVERED, RECYCLABLE, MONOMATERIAL

# TABLE



## 25 MM GLASS

- SOURCED AND MANUFACTURED IN CUNEO, PIEDMONT, ITALY
- 7% RECYCLED CONTENT
- COMPLIES WITH NATIONAL POLICIES AND REGULATIONS RELATING TO ENERGY SAVINGS AND CO2 EMISSIONS
- CRADLE-TO-CRADLE CERTIFIED
- INERT MATERIAL, NOT SUBJECT TO HARMFUL EMISSIONS
- RECYCLED, RECYCLABLE, MONOMATERIAL

# TABLE



## BEESWAX

- 100% BEESWAX IN A LIGHT EMULSION
- DOES NOT CONTAIN SOLVENTS, BIOCIDES OR PRESERVATIVES
- MANUFACTURED WITH LOW ENERGY CONSUMPTION
- NONTOXIC
- LOCALLY SOURCED
- RECYCLABLE, BIODEGRADABLE, TRANSPIRABLE

AESTHETIC

CRAFTED

CONSCIOUS