

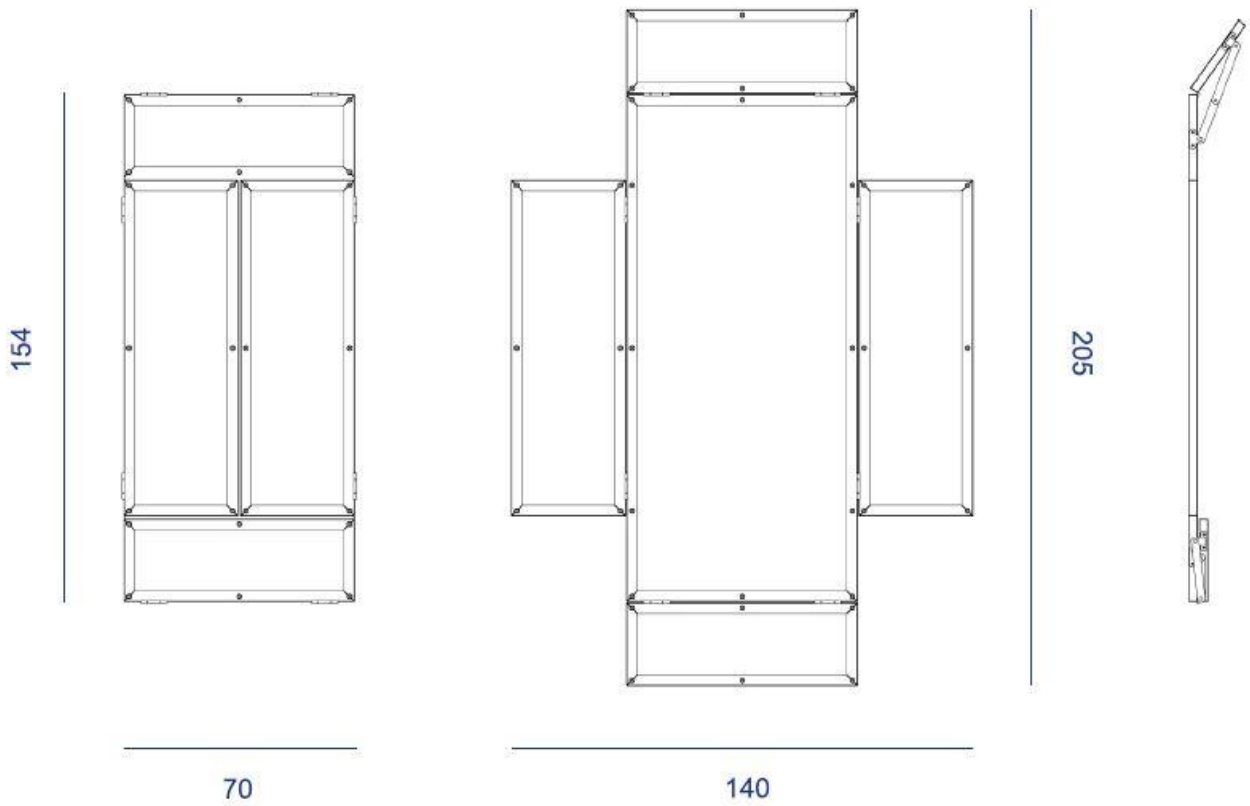
ENRICO MARONE CINZANO  
FURNITURE

MIRROR

# MIRROR



# MIRROR



- MEASUREMENTS, IN CM: W 70/140 X H 154/205 X D 6
- STRUCTURE IN OXIDIZED STEEL
- RECYCLED MIRROR
- JOINTS IN OXIDIZED STEEL
- GASKETS IN CORK AND CANVAS
- SURFACES TREATED WITH BEESWAX

# MIRROR



## STEEL

- OXIDIZED STEEL
- HANDCRAFTED IN TURIN, ITALY
- SUPERFICIALLY TREATED WITH A WATER-BASED SOLUTION OF VINEGAR AND SODIUM CHLORIDE (UNREFINED COARSE SALT)
- MAINTENANCE-FREE
- TREATED WITH BEESWAX
- RECOVERED, RECYCLABLE, MONOMATERIAL

# MIRROR



## BEESWAX

- 100% BEESWAX IN A LIGHT EMULSION
- DOES NOT CONTAIN SOLVENTS, BIOCIDES OR PRESERVATIVES
- MANUFACTURED WITH LOW ENERGY CONSUMPTION
- NONTOXIC
- LOCALLY SOURCED
- RECYCLABLE, BIODEGRADABLE, TRANSPIRABLE

AESTHETIC

CRAFTED

CONSCIOUS