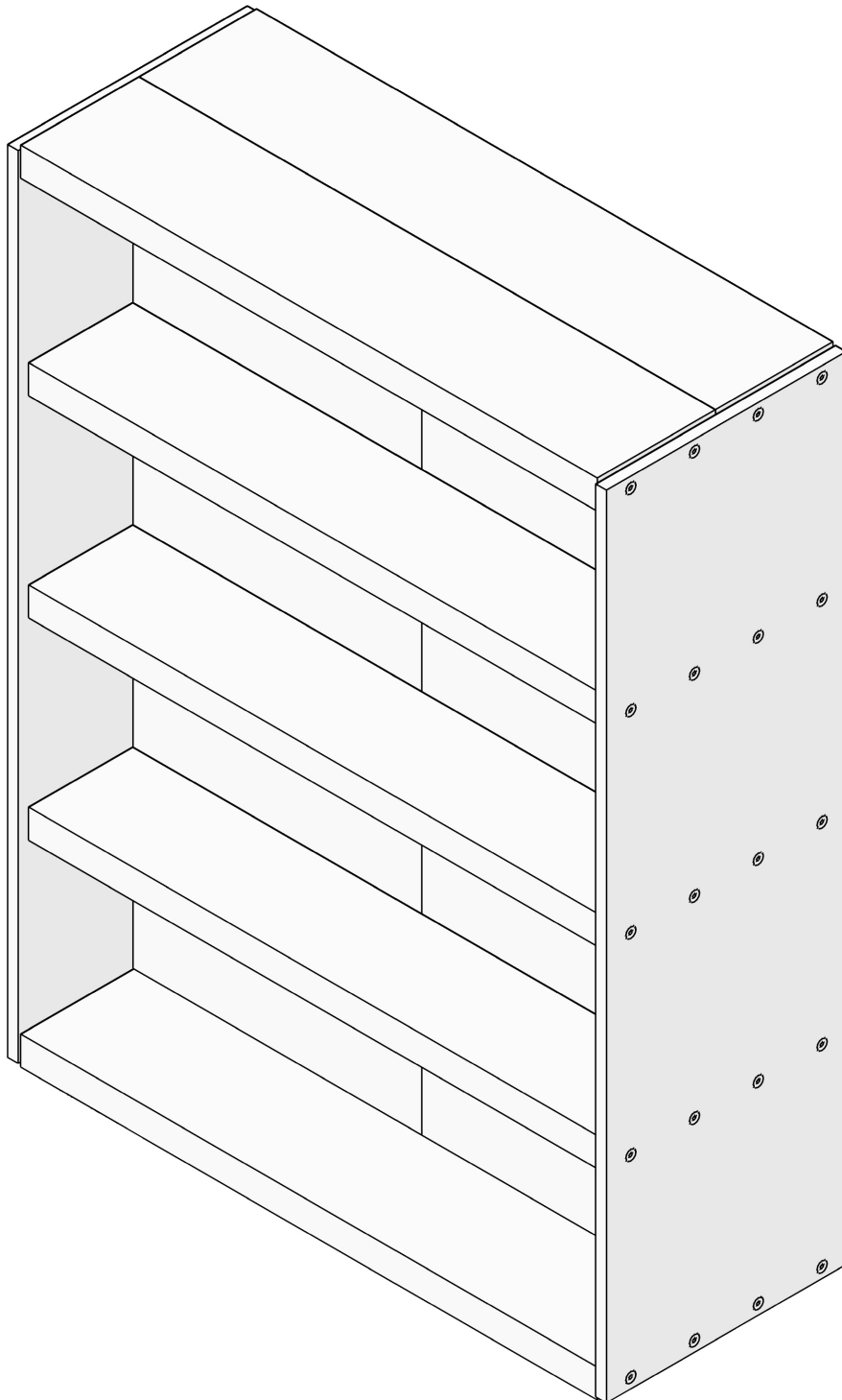


ENRICO MARONE CINZANO

FURNITURE

ASSEMBLY INSTRUCTIONS

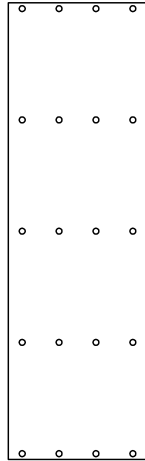
LIBRARY



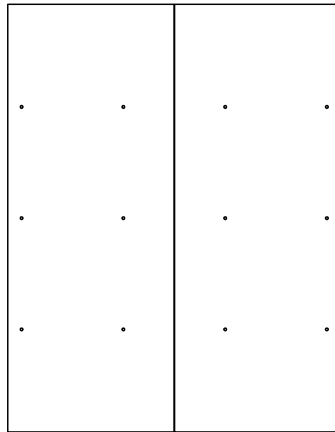
THE CORRECT ASSEMBLY REQUIRES 2 PERSONS.
HEX KEYS ARE REQUIRED.

LIBRARY

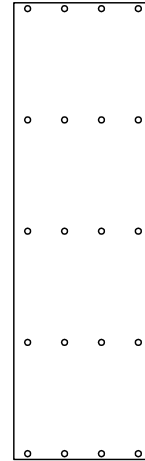
LEFT SIDE
GLASS (X1)



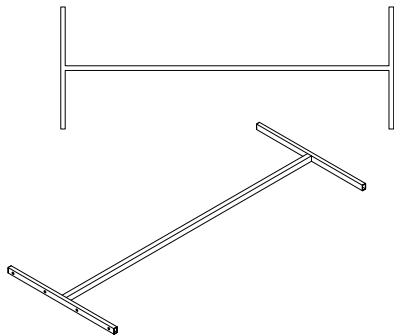
BACK GLASS
(X2)



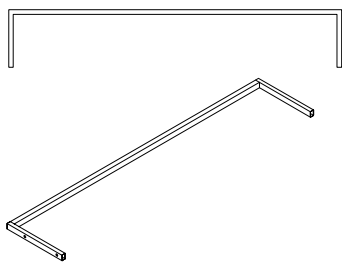
RIGHT SIDE
GLASS (X1)



BASE AND TOP
STEEL STRUCTURE
(X2)



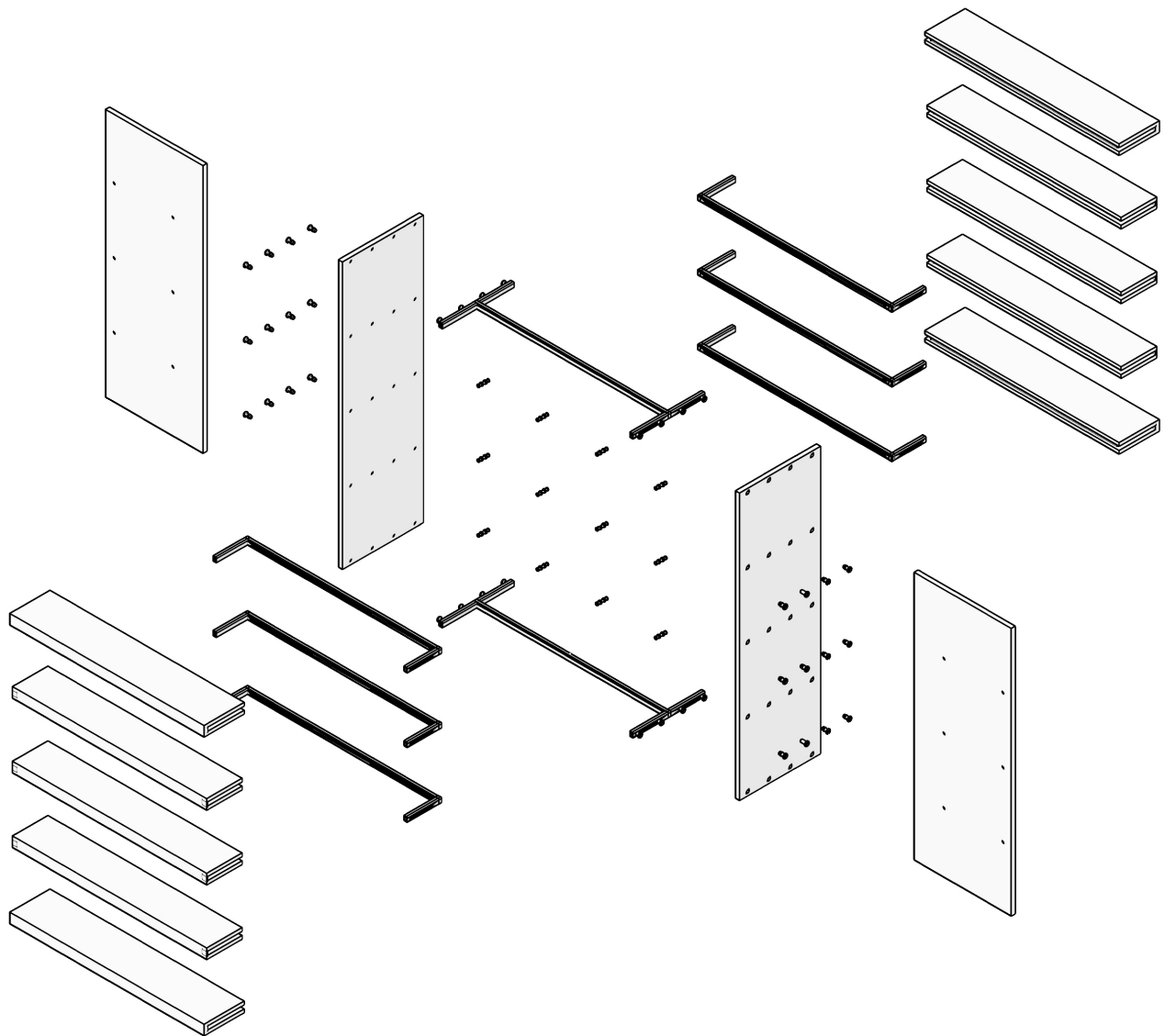
SHELF STEEL
CLAMP (X6)



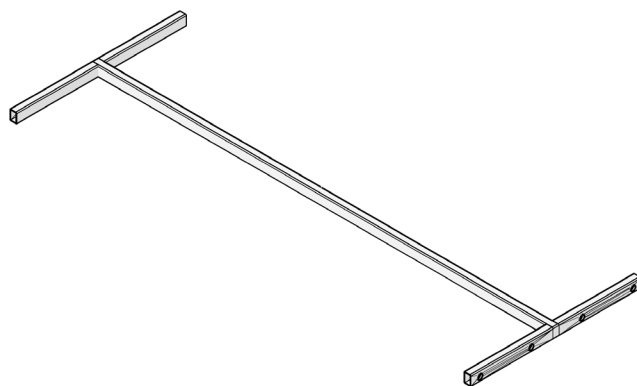
WOOD SHELF (X10)



LIBRARY

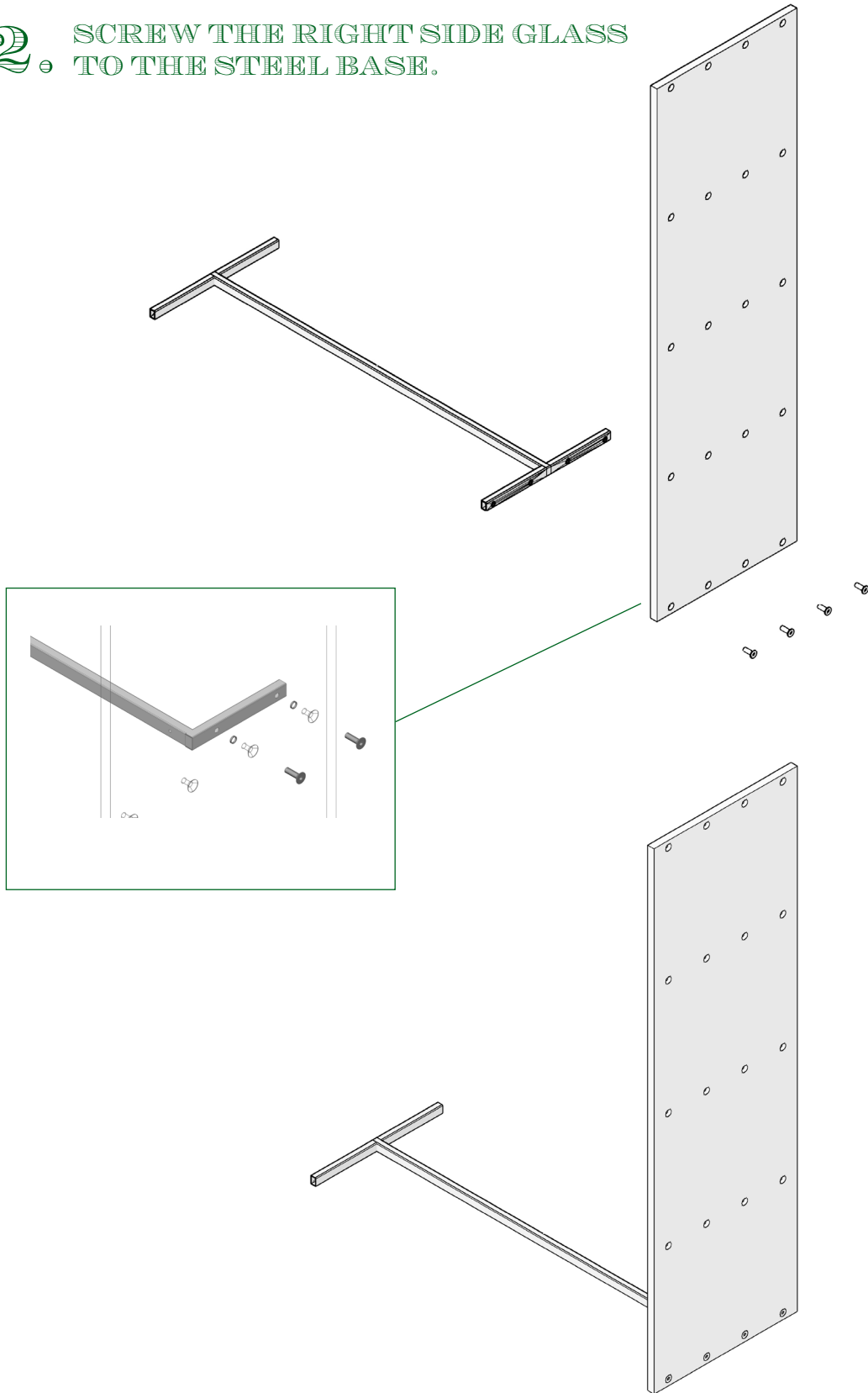


1. PLACE ON A FLAT FLOOR THE STEEL BASE.



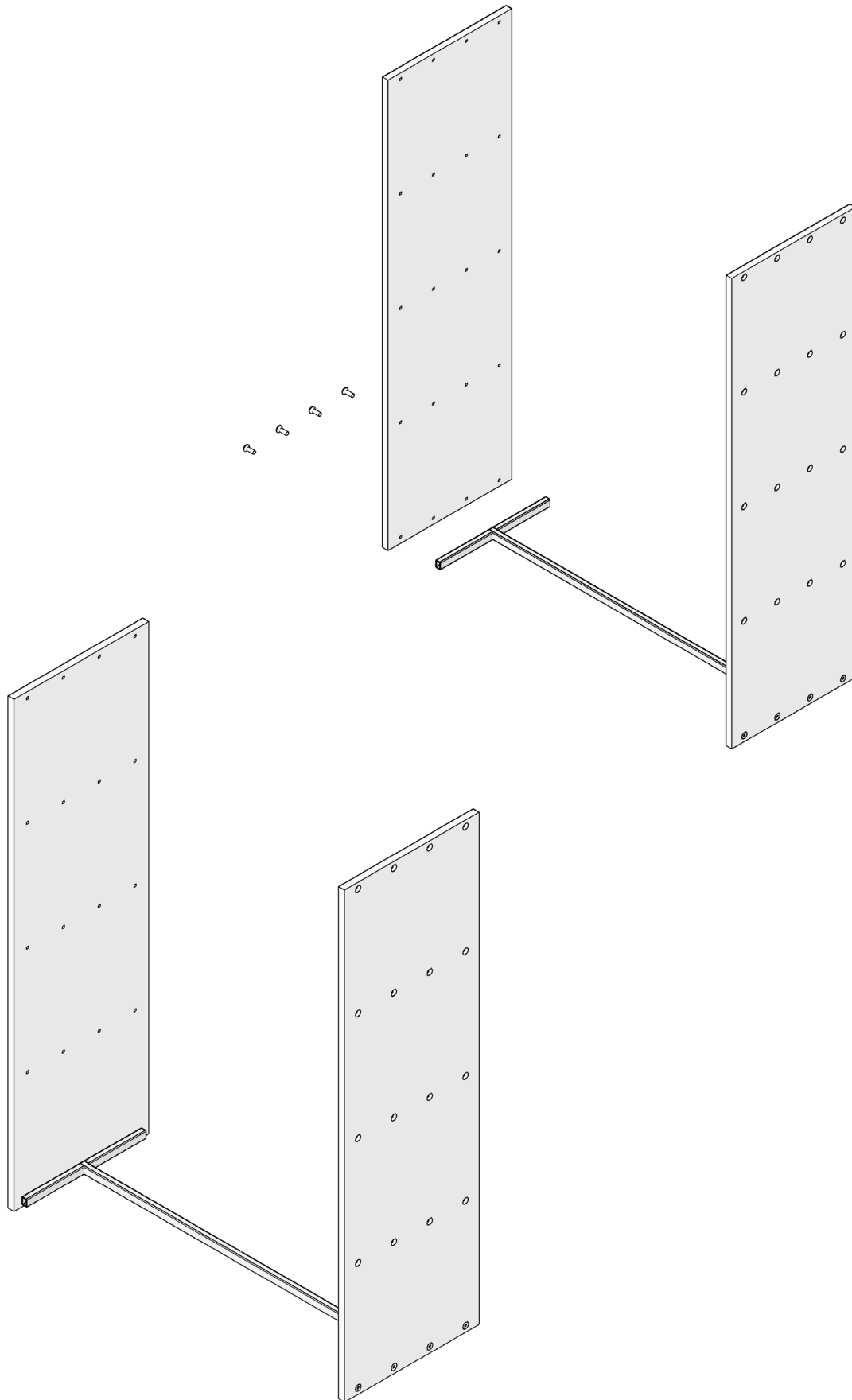
LIBRARY

2. SCREW THE RIGHT SIDE GLASS TO THE STEEL BASE.



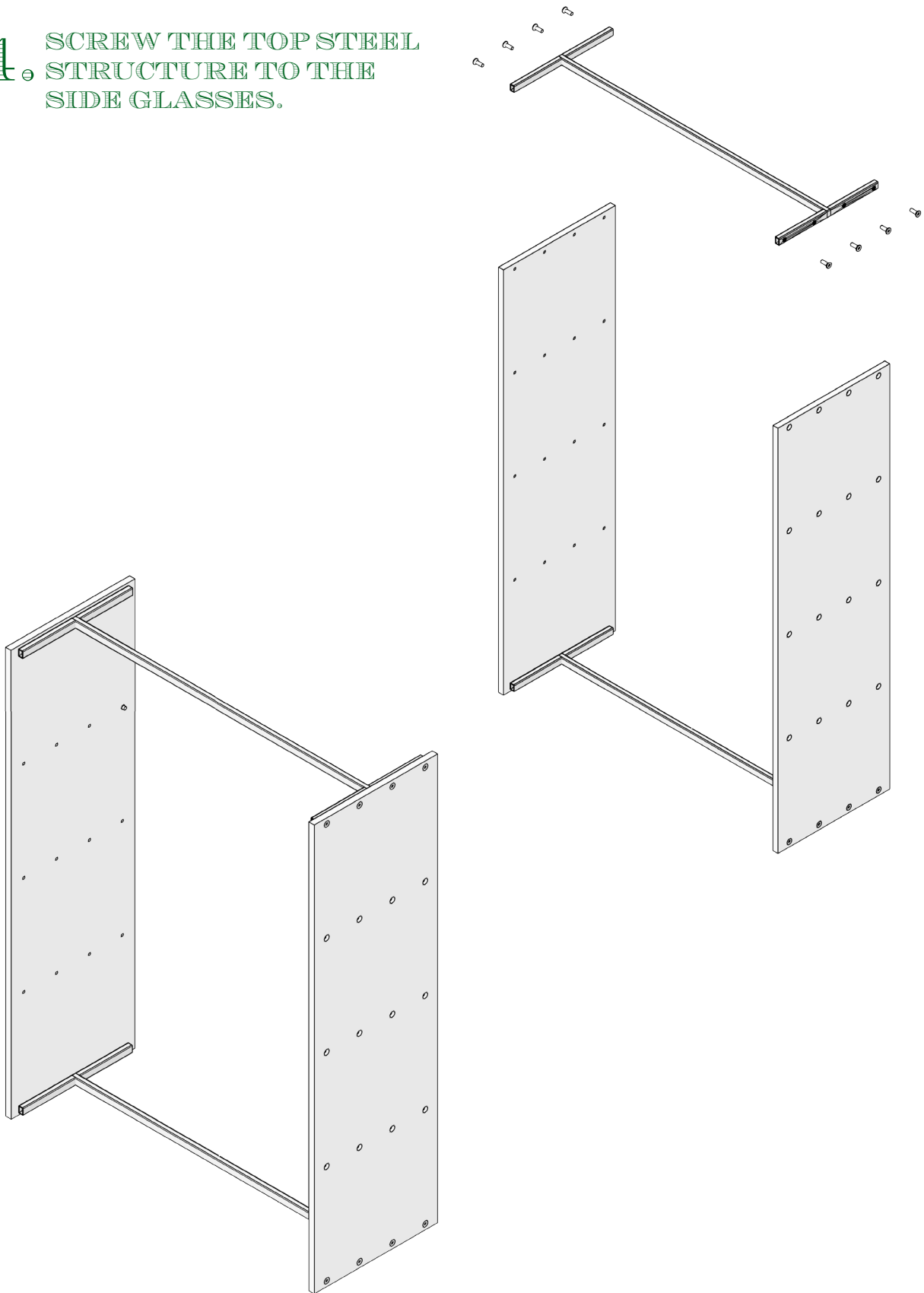
LIBRARY

3. SCREW THE LEFT SIDE GLASS TO THE STEEL BASE.



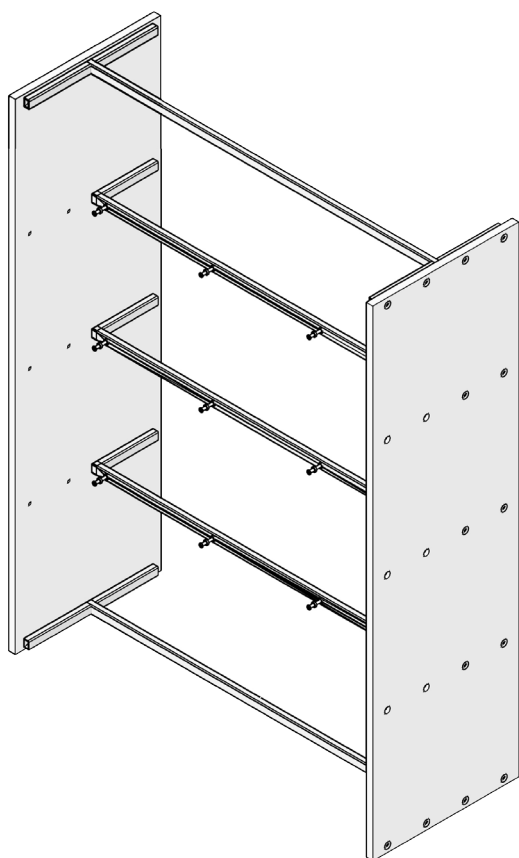
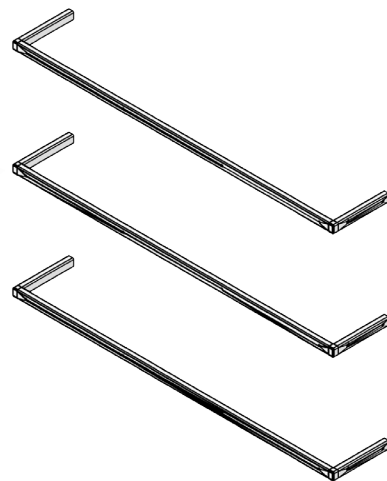
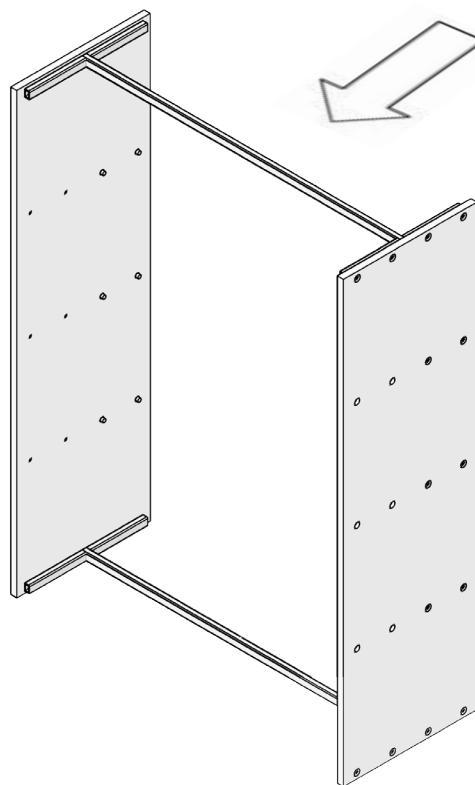
LIBRARY

4. SCREW THE TOP STEEL STRUCTURE TO THE SIDE GLASSES.



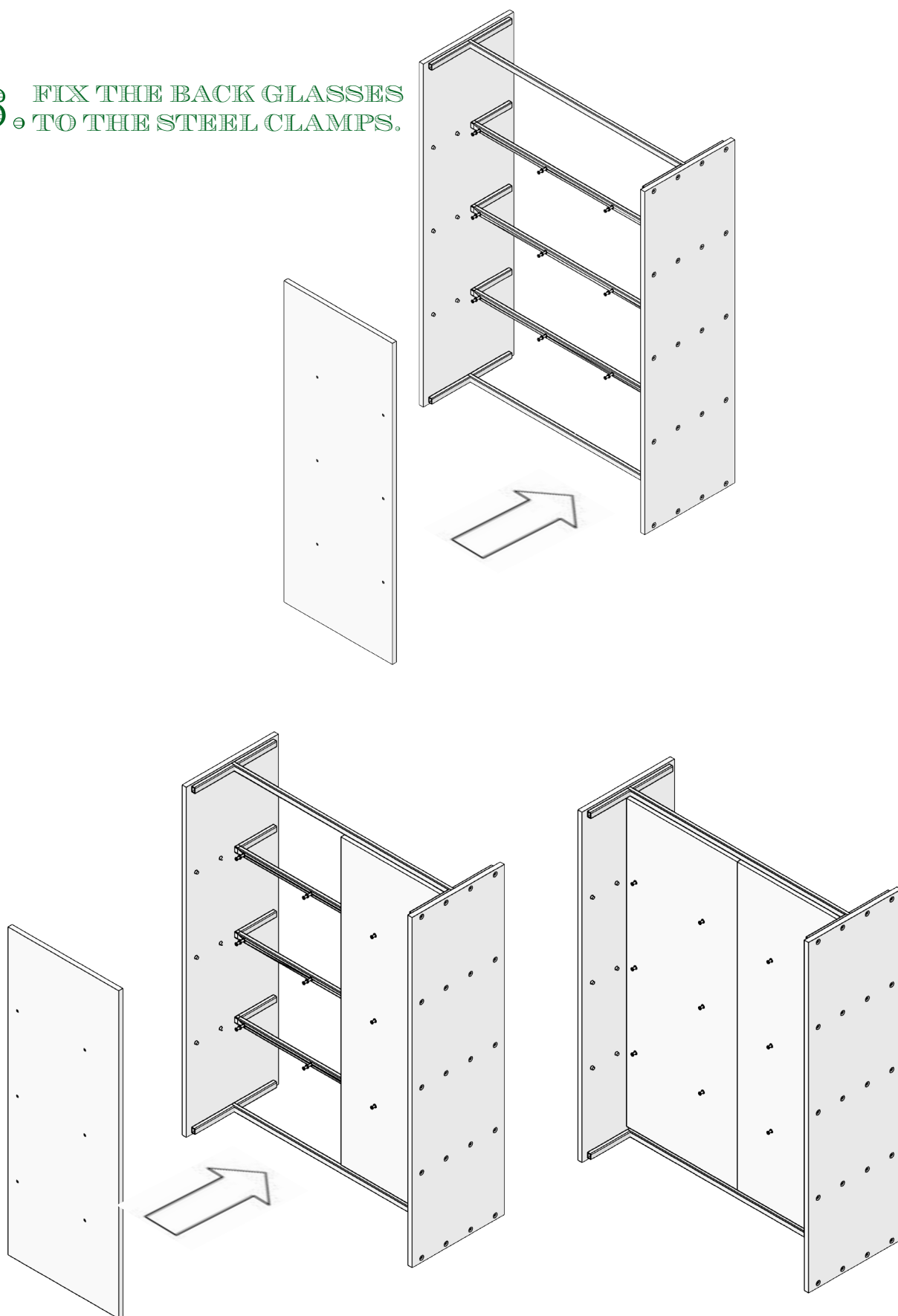
LIBRARY

5. SCREW THE STEEL CLAMP
TO THE SIDEL GLASSES



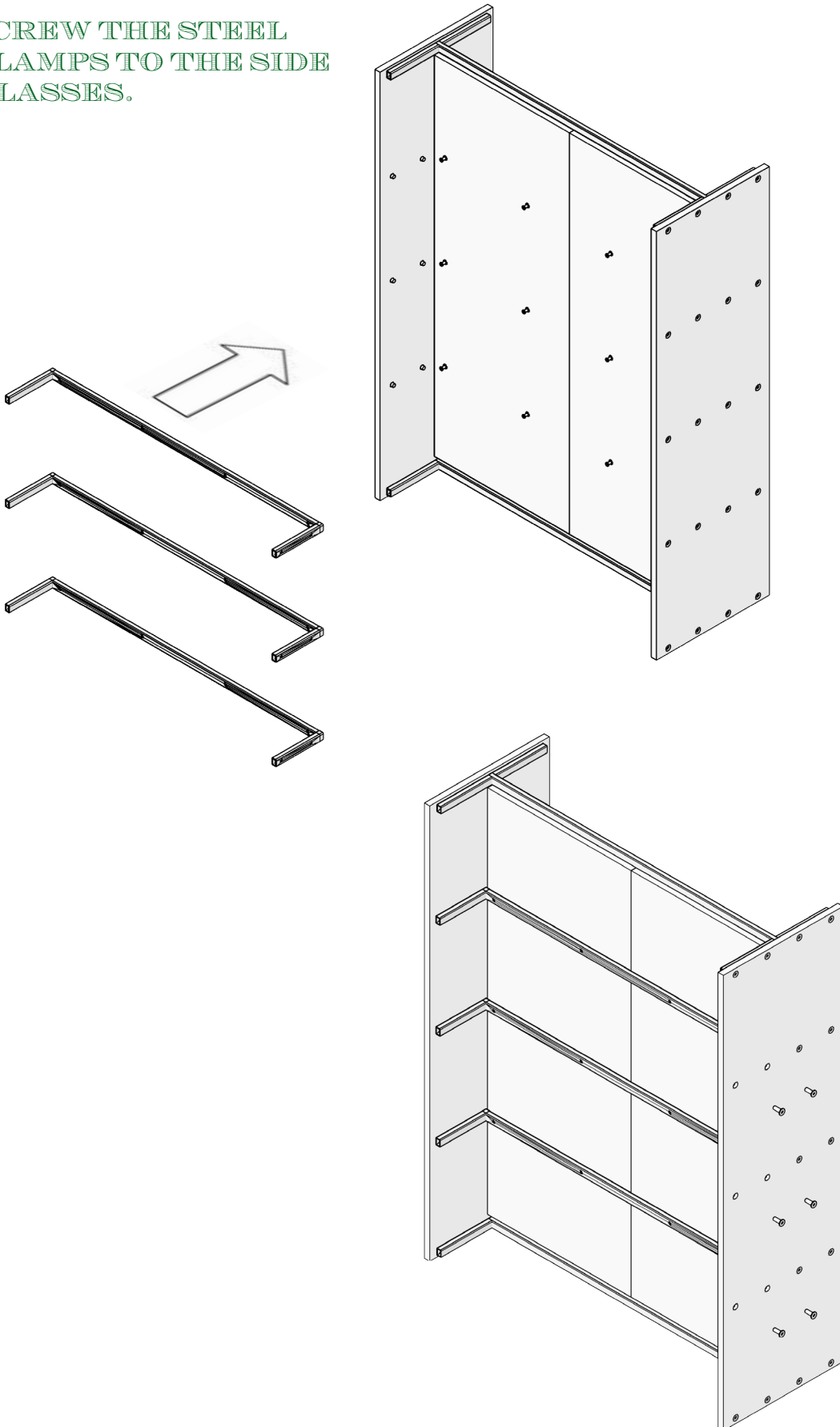
LIBRARY

6. FIX THE BACK GLASSES TO THE STEEL CLAMPS.



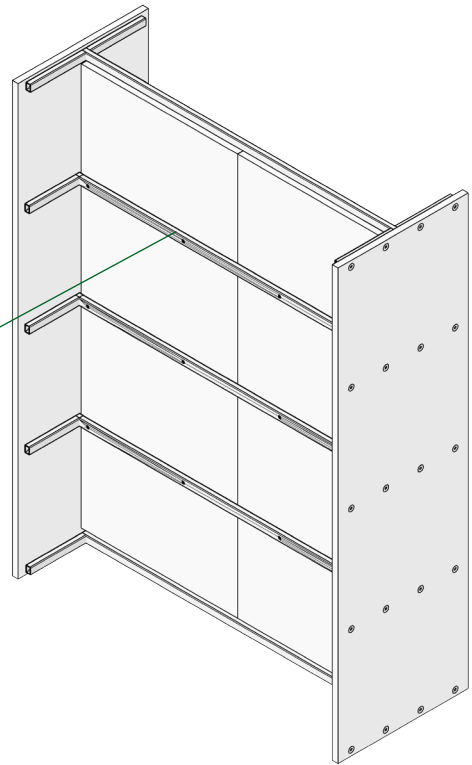
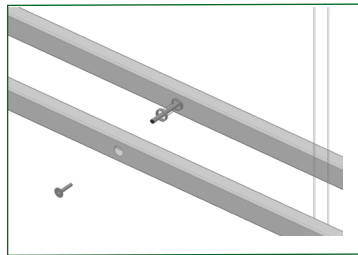
LIBRARY

7 SCREW THE STEEL
CLAMPS TO THE SIDE
GLASSES.

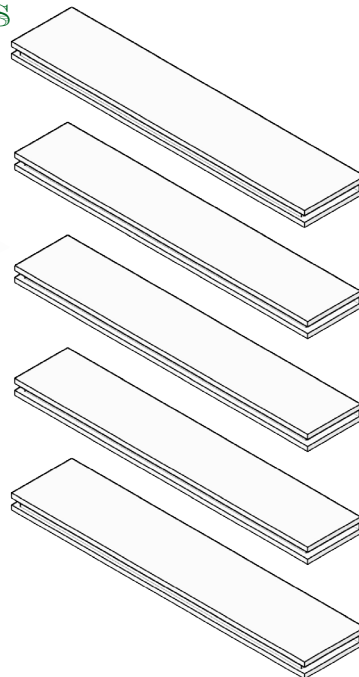
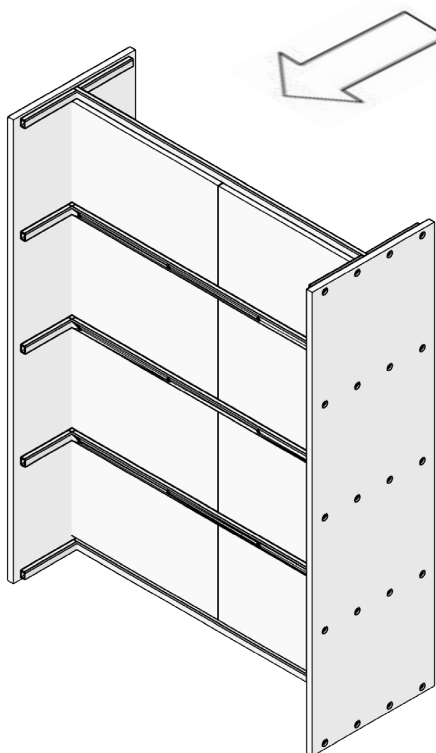


LIBRARY

8. SCREW TOGETHER THE STEEL CLAMPS AND BACK GLASSES.

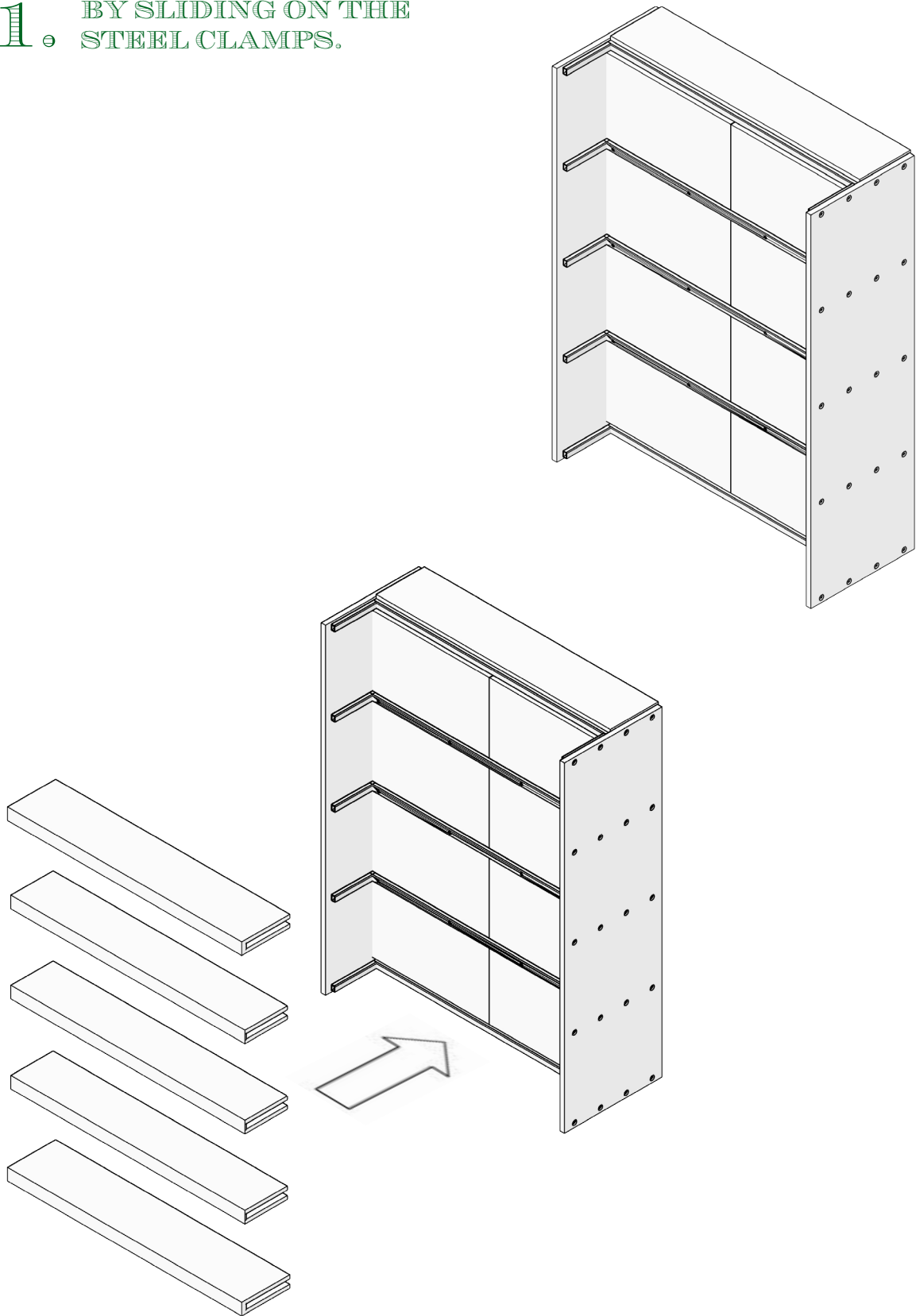


9. INSERT THE SHELVES BY SLIDING ON THE STEEL CLAMPS.



LIBRARY

11. INSERT THE SHELVES
BY SLIDING ON THE
STEEL CLAMPS.



LIBRARY

MAINTENANCE INSTRUCTIONS

WOOD SURFACES:

DUST WITH A SOFT AND COMPLETELY DRIED CLOTH.
EVERY 6 MONTHS APPLY ON CLEANED SURFACES A
LAYER OF BEESWAX.

OXIDIZED STEEL SURFACES:

DUST WITH A SOFT AND COMPLETELY DRIED CLOTH.
EVERY 6 MONTHS APPLY ON CLEANED SURFACES A LAYER OF
BEESWAX, INTENDED FOR METAL PARTS TREATMENTS.

GLASS SURFACES:

CLEAN THE GLASS WITH A WET CLOTH, USING ONLY NEU-
TRAL DETERGENTS SO AS NOT TO AFFECT THE METAL PARTS
AND MECHANICAL COMPONENTS .

VIDEO INSTRUCTIONS: [HTTP://VIMEO.COM/39905608](http://vimeo.com/39905608)