

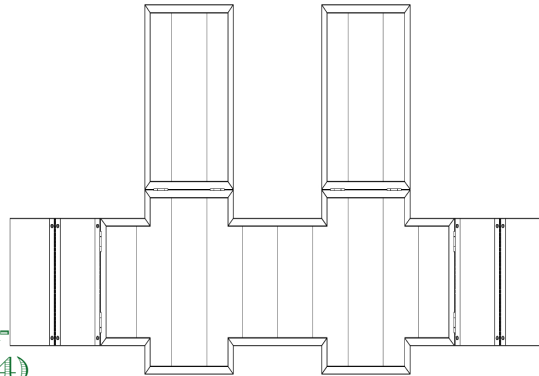
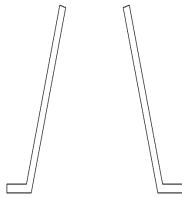
ENRICO MARONE CINZANO

FURNITURE

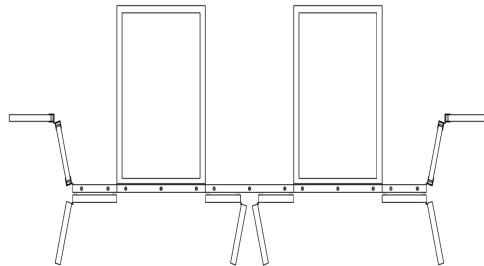
ASSEMBLY INSTRUCTIONS

SOFA

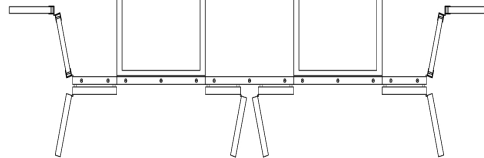
SEAT BACK FIXING
ELEMENTS (X4)



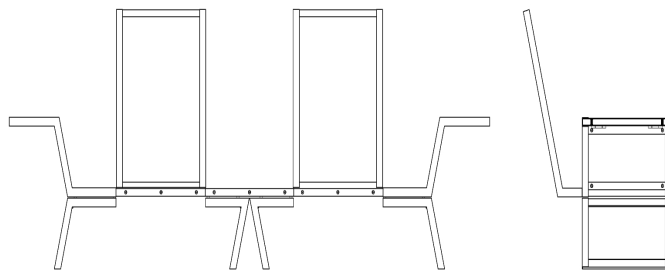
CENTRAL LEG FIX-
ING ELEMENTS (X4)



SIDE LEG FIXING
ELEMENTS (X4)



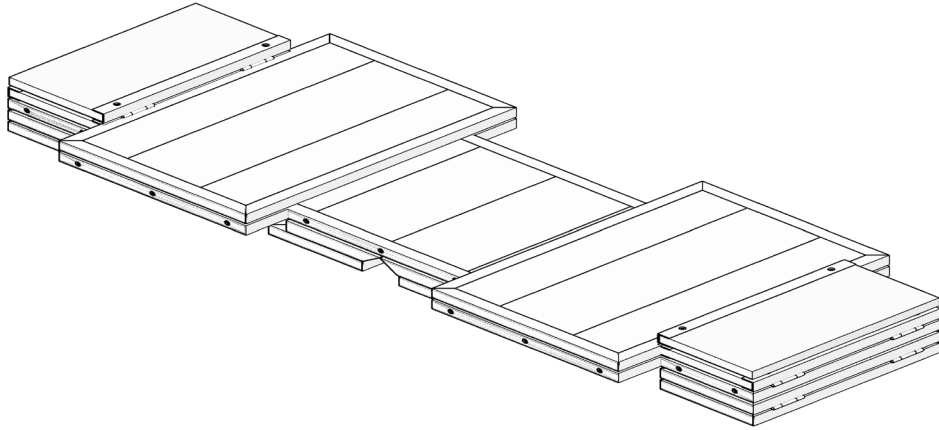
ARMREST FIXING
ELEMENTS (X4)



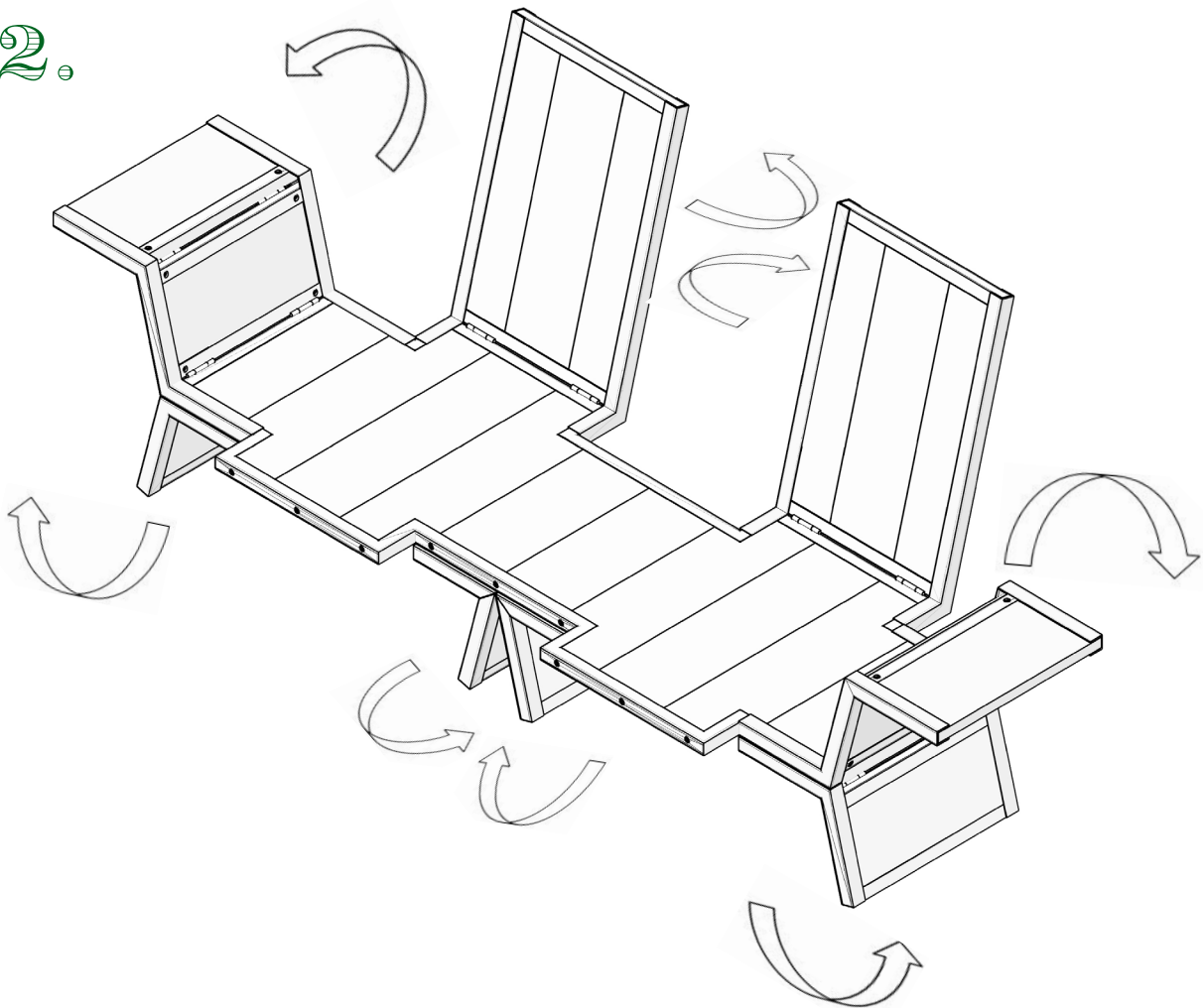
THE CORRECT ASSEMBLY REQUIRES 2 PERSONS.
NO TOOLS ARE REQUIRED.

ARMCHAIR

1.

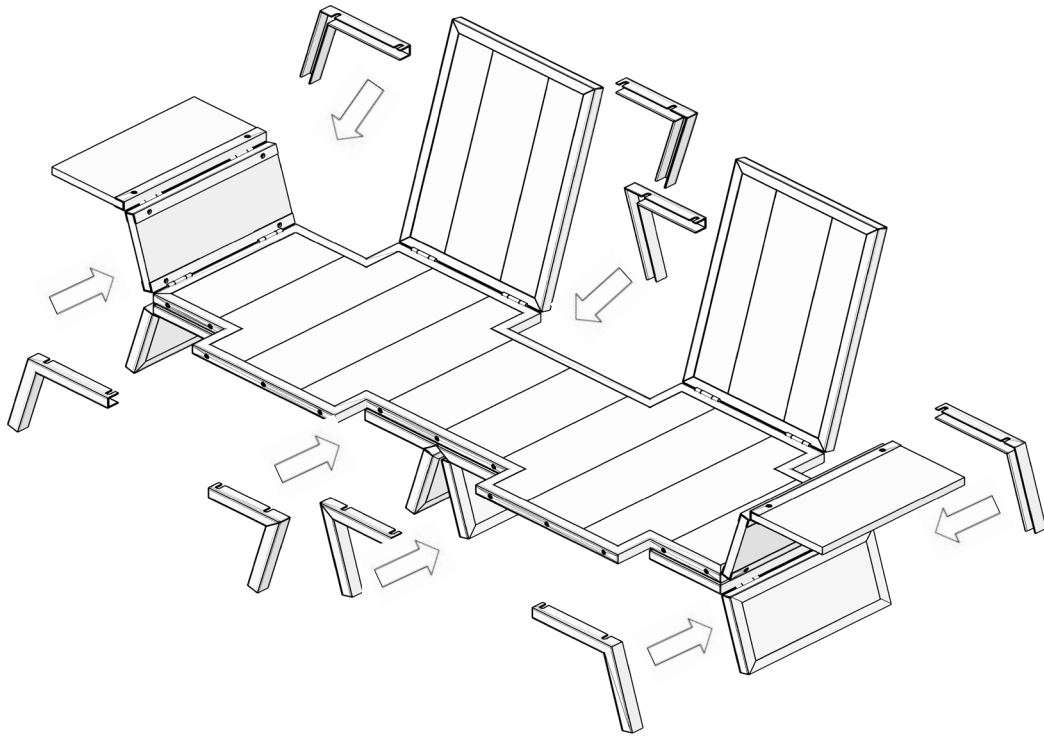


2.

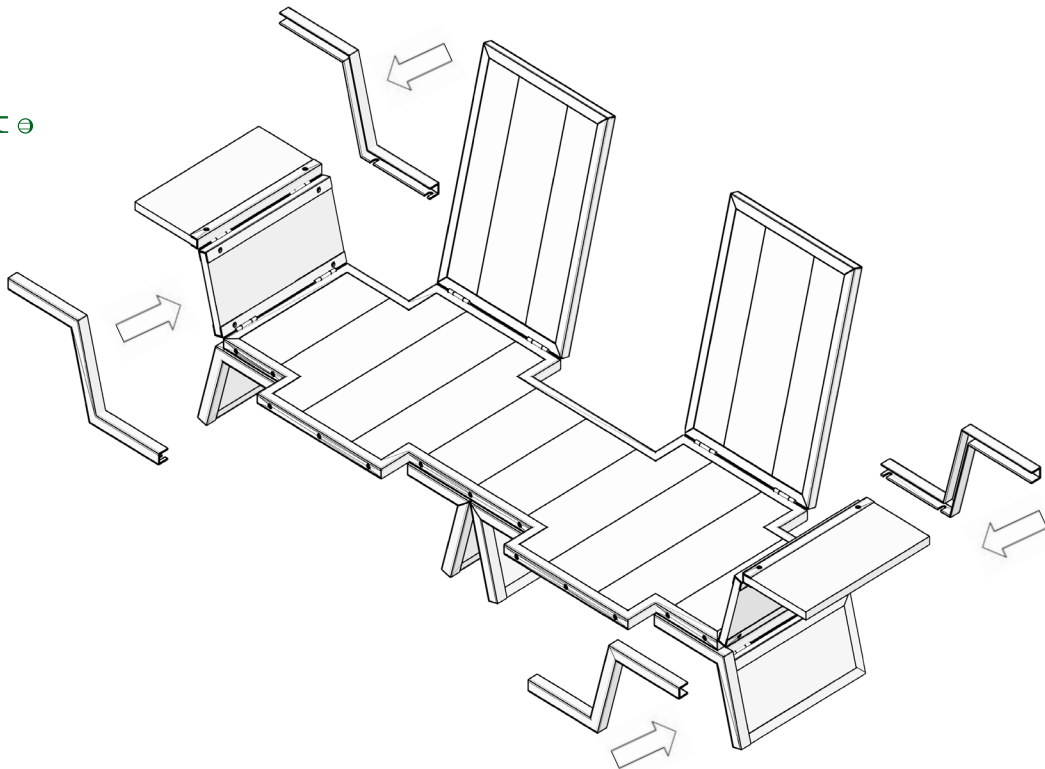


ARMCHAIR

3.

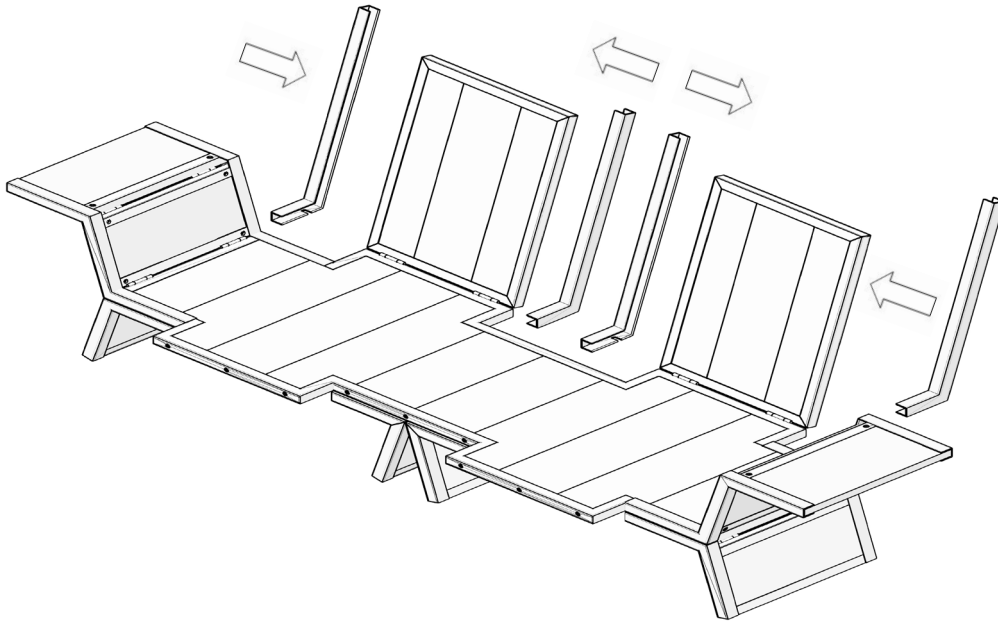


4.

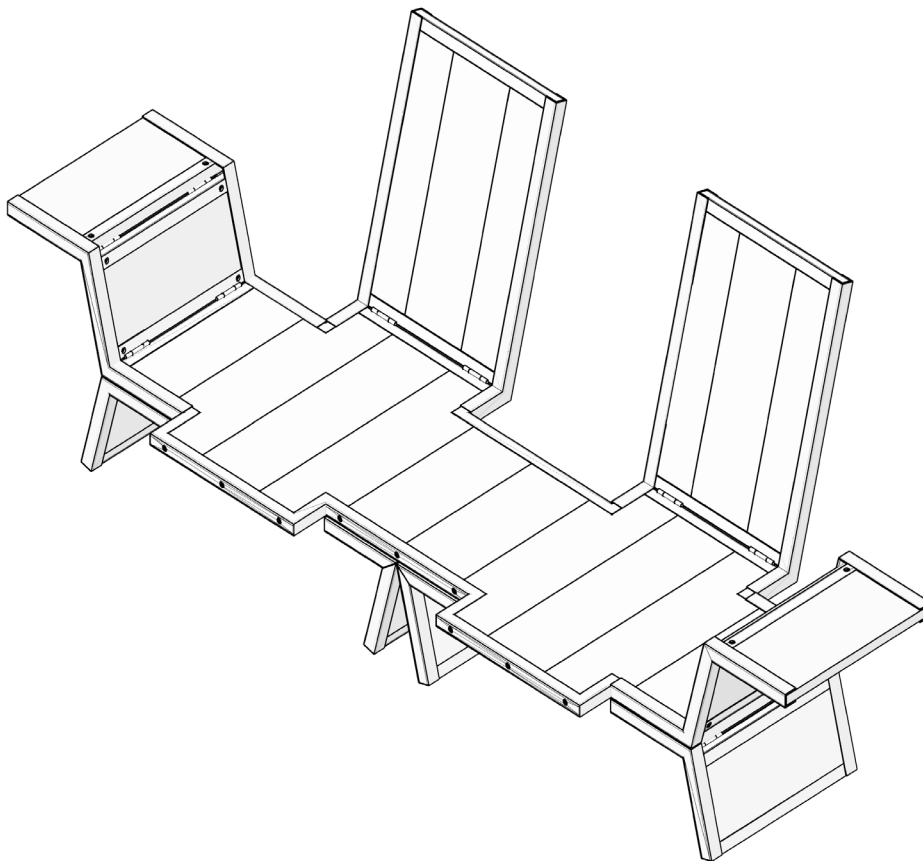


ARMCHAIR

5.



6.



ARMCHAIR

MAINTENANCE INSTRUCTIONS

WOOD SURFACES:

DUST WITH A SOFT AND COMPLETELY DRIED CLOTH.
EVERY 6 MONTHS APPLY A LAYER OF BEESWAX.

OXIDIZED STEEL SURFACES:

DUST WITH A SOFT AND COMPLETELY DRIED CLOTH.
EVERY 12 MONTHS APPLY A LAYER OF BEESWAX, INTENDED
FOR METAL PARTS TREATMENTS.

GLASS SURFACES:

CLEAN THE GLASS WITH A WET CLOTH, USING ONLY NEU-
TRAL DETERGENTS SO AS NOT TO AFFECT THE METAL PARTS
AND MECHANICAL COMPONENTS .

VIDEO INSTRUCTIONS: [HTTP://VIMEO.COM/39938305](http://vimeo.com/39938305)