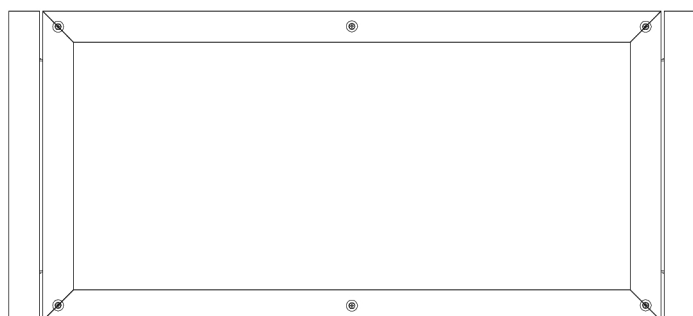
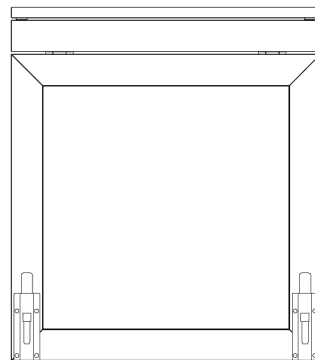


ENRICO MARONE CINZANO

FURNITURE

ASSEMBLY INSTRUCTIONS

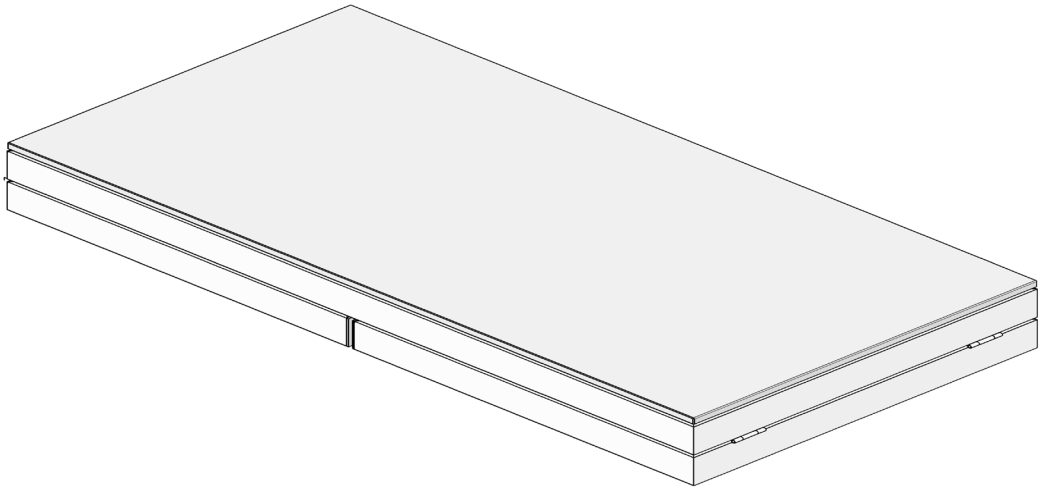
COFFEE TABLE



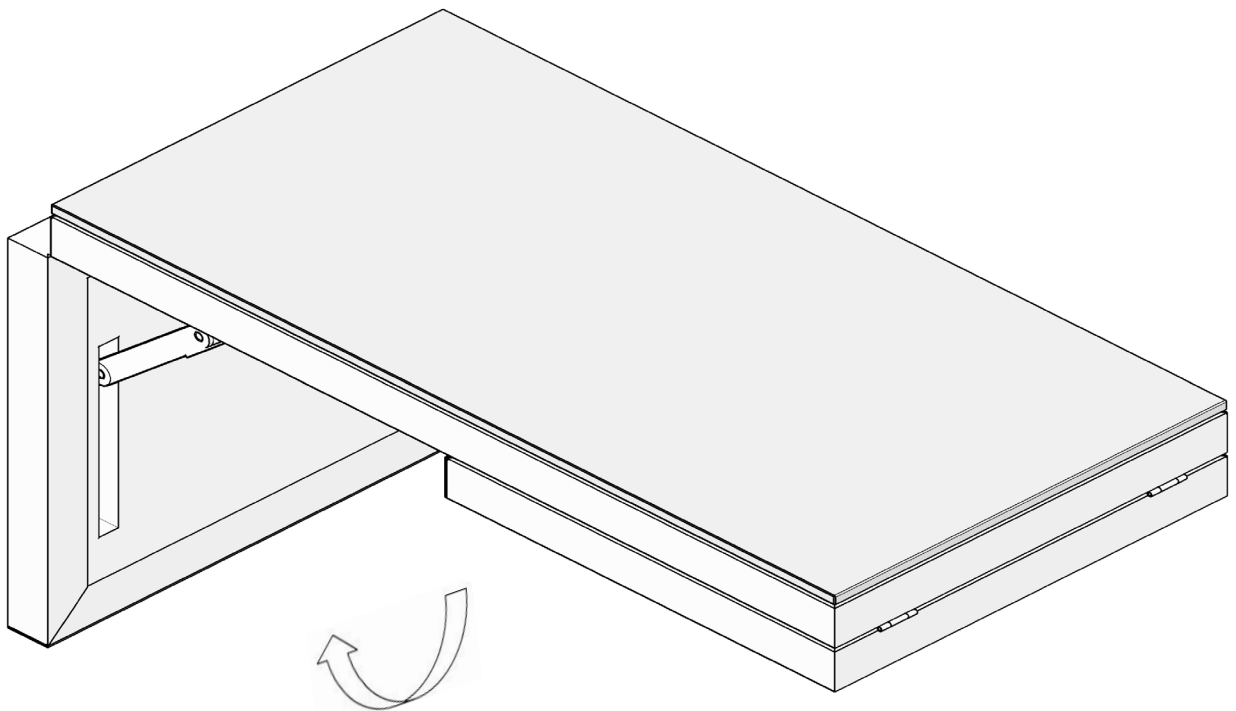
THE CORRECT ASSEMBLY REQUIRES 2 PERSONS.
NO TOOLS ARE REQUIRED.

COFFEE TABLE

1.

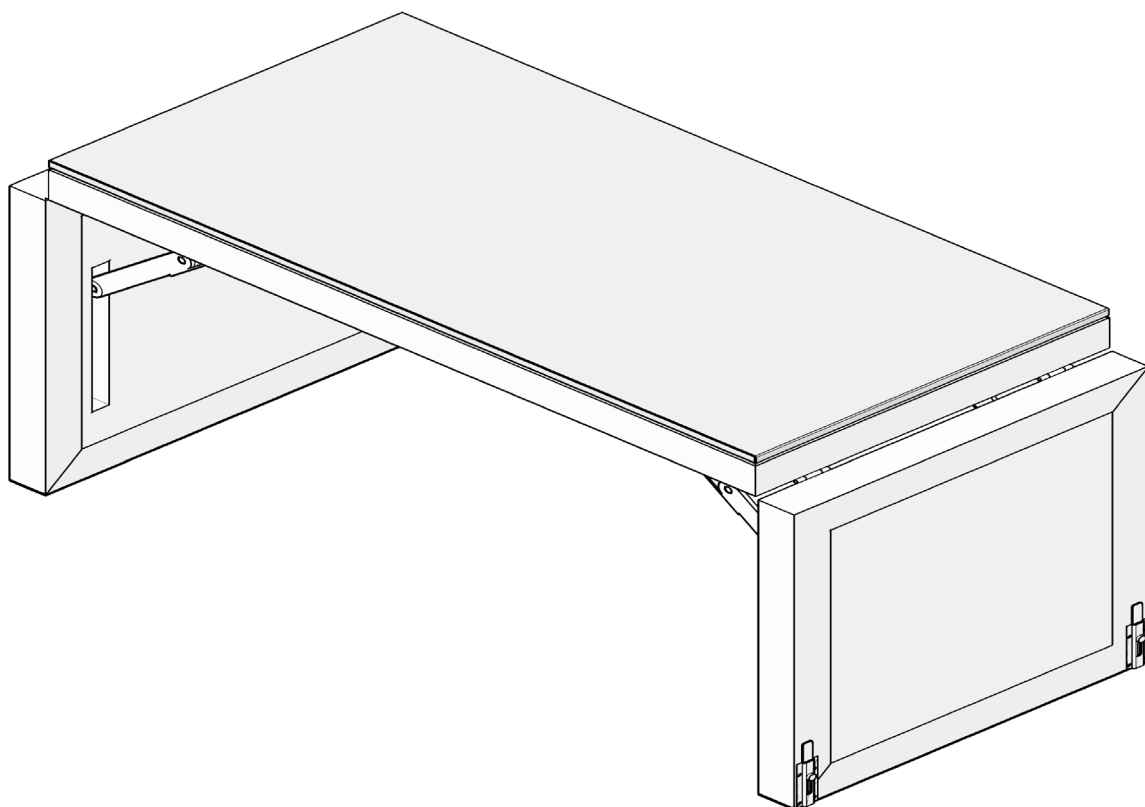


2.



COFFEE TABLE

3.



ARMCHAIR

MAINTENANCE INSTRUCTIONS

WOOD SURFACES:

DUST WITH A SOFT AND COMPLETELY DRIED CLOTH.
EVERY 6 MONTHS APPLY A LAYER OF BEESWAX.

OXIDIZED STEEL SURFACES:

DUST WITH A SOFT AND COMPLETELY DRIED CLOTH.
EVERY 12 MONTHS APPLY A LAYER OF BEESWAX, INTENDED
FOR METAL PARTS TREATMENTS.

GLASS SURFACES:

CLEAN THE GLASS WITH A WET CLOTH, USING ONLY NEU-
TRAL DETERGENTS SO AS NOT TO AFFECT THE METAL PARTS
AND MECHANICAL COMPONENTS .

VIDEO INSTRUCTIONS: [HTTPS://VIMEO.COM/39902980](https://vimeo.com/39902980)