

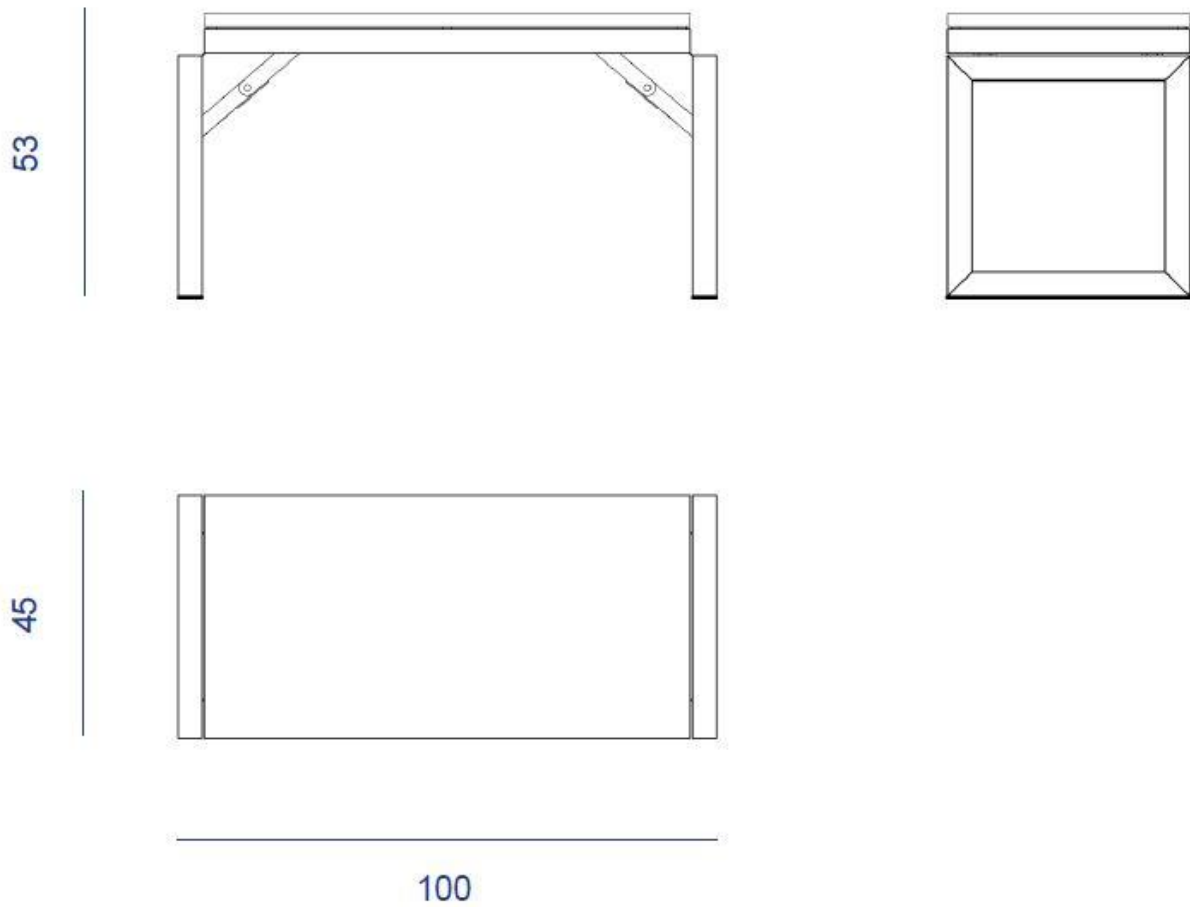
ENRICO MARONE CINZANO  
FURNITURE

COFFEE TABLE

# COFFEE TABLE



# COFFEE TABLE



- MEASUREMENTS, IN CM: W 100 X H 53 X D 45
- SOLID BLACK WOOD STRUCTURE
- TOP IN GLASS
- METALLIC FRAME AND JOINTS IN OXIDIZED STEEL
- GASKETS IN CORK AND CANVAS
- SURFACES TREATED WITH BEESWAX

# COFFEE TABLE



BLACK WALNUT, JUGLANS NIGRA L.

- SOURCED AND HANDCRAFTED IN TURIN, ITALY
- A 35-YEAR-OLD LEFTOVER LOT
- DOES NOT REQUIRE SPECIAL FINISHES AS IT HAS BEEN TREATED WITH NATURAL BEESWAX
- MAINTENANCE-FREE
- NONTOXIC
- NOT SUBMITTED TO CHEMICAL TREATMENTS



STEEL

- OXIDIZED STEEL
- HANDCRAFTED IN TURIN, ITALY
- SUPERFICIALLY TREATED WITH A WATER-BASED SOLUTION OF VINEGAR AND SODIUM CHLORIDE (UNREFINED COARSE SALT)
- MAINTENANCE-FREE
- TREATED WITH BEESWAX
- RECOVERED, RECYCLABLE, MONOMATERIAL

ENRICOMARONECINZANO.COM

# COFFEE TABLE



## 25 MM GLASS

- SOURCED AND MANUFACTURED IN CUNEO, PIEDMONT, ITALY
- 7% RECYCLED CONTENT
- COMPLIES WITH NATIONAL POLICIES AND REGULATIONS RELATING TO ENERGY SAVINGS AND CO2 EMISSIONS
- CRADLE-TO-CRADLE CERTIFIED
- INERT MATERIAL, NOT SUBJECT TO HARMFUL EMISSIONS
- RECYCLED, RECYCLABLE, MONOMATERIAL

# COFFEE TABLE



## NATURAL GLUE

- HOMEMADE NATURAL GLUE DERIVED FROM FOOD INDUSTRY BY-PRODUCTS
- NONTOXIC



## BEESWAX

- 100% BEESWAX IN A LIGHT EMULSION
- DOES NOT CONTAIN SOLVENTS, BIOCIDES OR PRESERVATIVES
- MANUFACTURED WITH LOW ENERGY CONSUMPTION
- NONTOXIC
- LOCALLY SOURCED
- RECYCLABLE, BIODEGRADABLE, TRANSPIRABLE

AESTHETIC

CRAFTED

CONSCIOUS