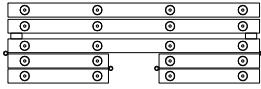


ENRICO MARONE CINZANO

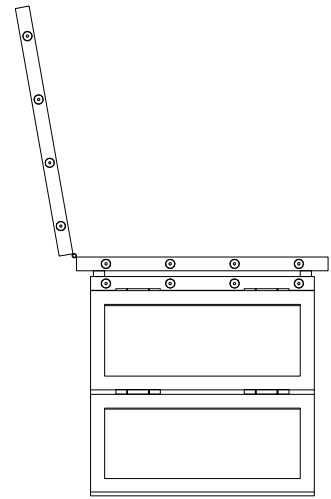
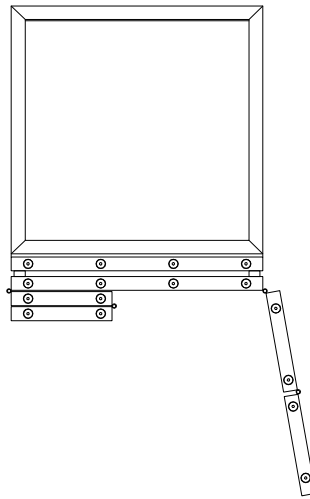
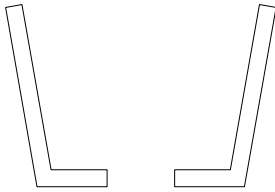
FURNITURE

ASSEMBLY INSTRUCTIONS

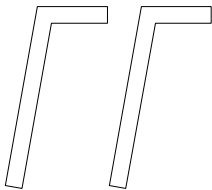
GLASS CHAIR



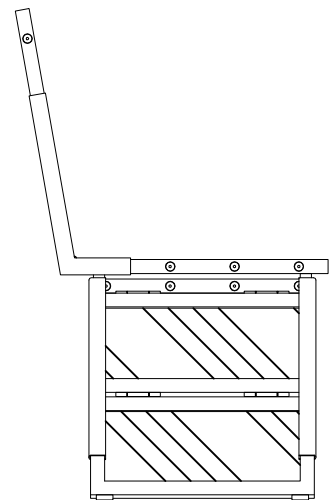
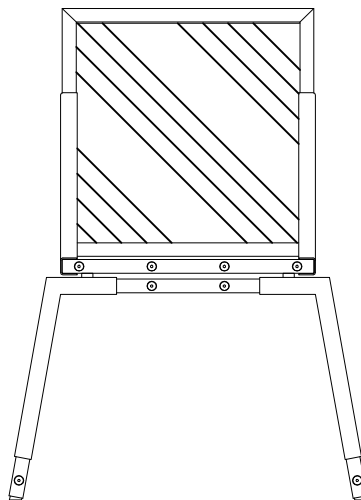
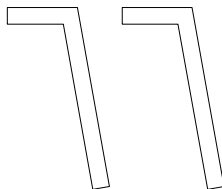
SEAT BACK FIXING
ELEMENTS (X2)



LEFT LEG FIXING
ELEMENTS (X2)



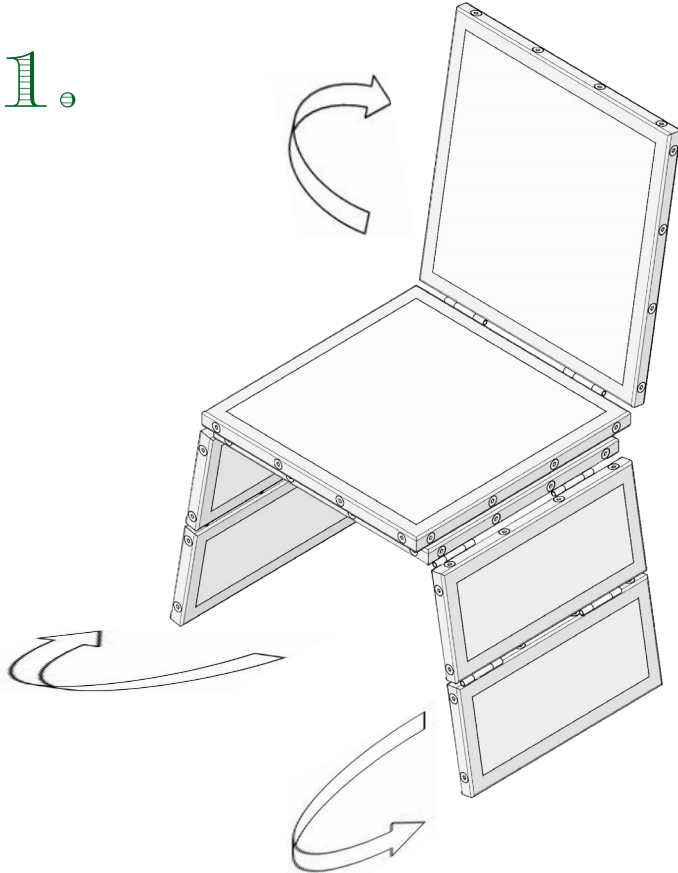
RIGHT LEG FIXING
ELEMENTS (X2)



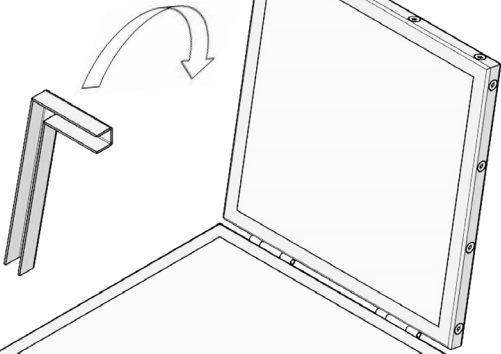
THE CORRECT ASSEMBLY REQUIRES 2 PERSONS.
NO TOOLS ARE REQUIRED.

GLASS CHAIR

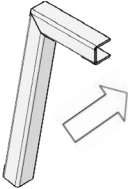
1.



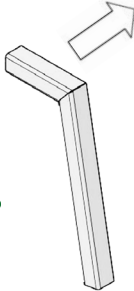
2.



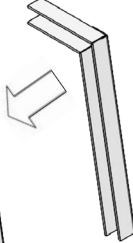
3.



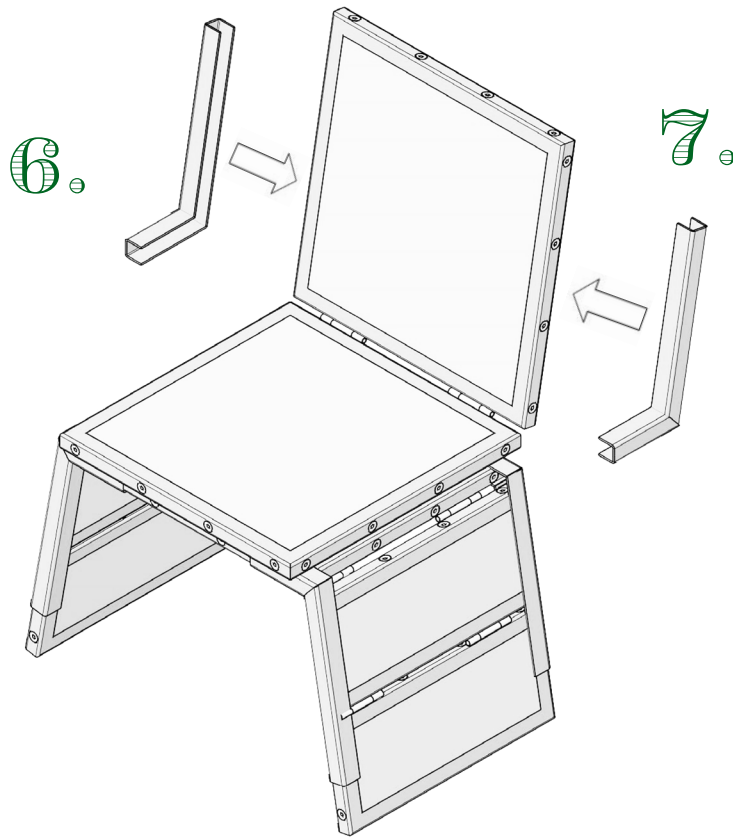
4.



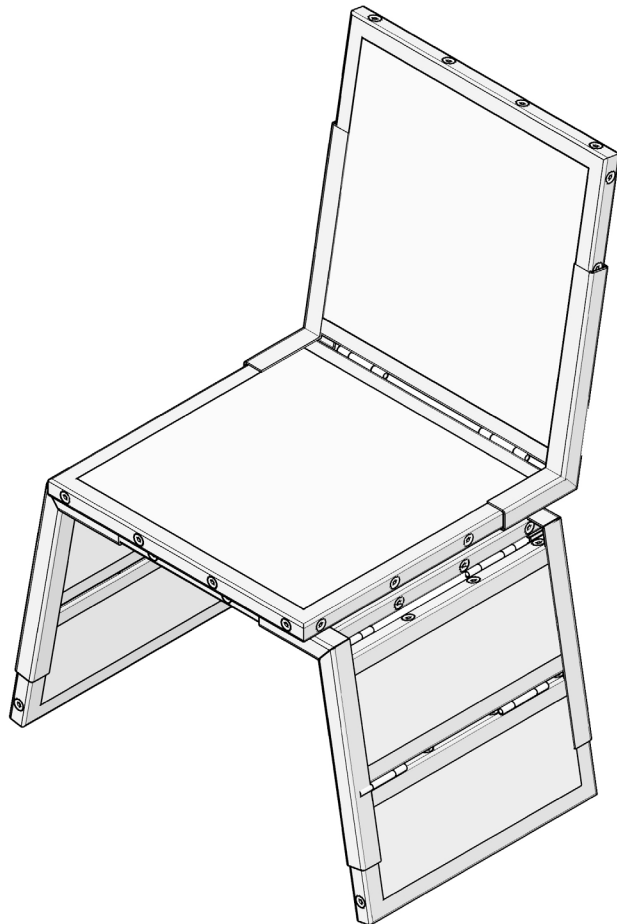
5.



GLASS CHAIR



8.



ARMCHAIR

MAINTENANCE INSTRUCTIONS

OXIDIZED STEEL SURFACES:

DUST WITH A SOFT AND COMPLETELY DRIED CLOTH.
EVERY 12 MONTHS APPLY A LAYER OF BEESWAX, INTENDED
FOR METAL PARTS TREATMENTS.

GLASS SURFACES:

CLEAN THE GLASS WITH A WET CLOTH, USING ONLY NEU-
TRAL DETERGENTS SO AS NOT TO AFFECT THE METAL PARTS
AND MECHANICAL COMPONENTS .

VIDEO INSTRUCTIONS: [HTTPS://VIMEO.COM/39920152](https://vimeo.com/39920152)