

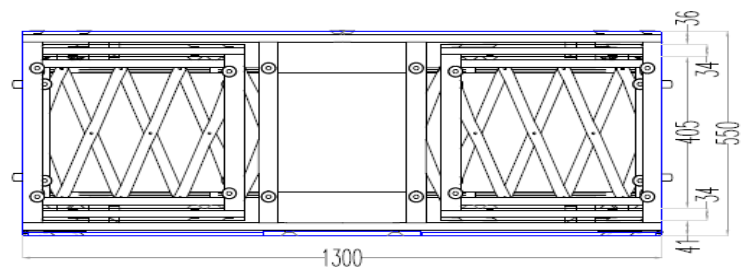
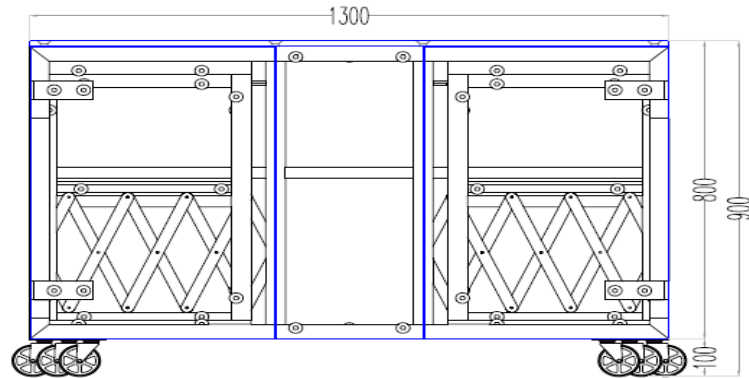
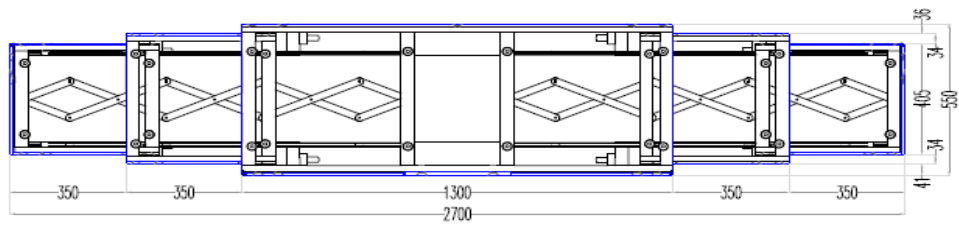
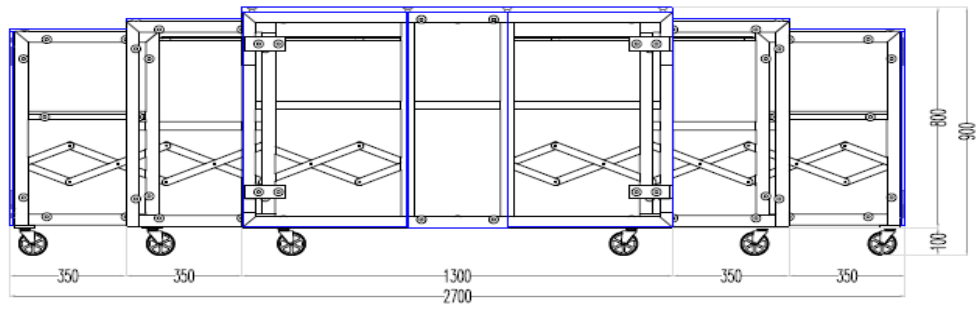
ENRICO MARONE CINZANO
FURNITURE

ARMADILLO

ARMADILLO



ARMADILLO



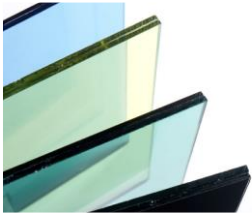
- MEASUREMENTS, IN CM:
OPENED W 270 X H 90 X D 55
CLOSED W 130 X H 90 X D 55
- SUSTAINING STRUCTURE IN HAND-BRUSHED STEEL
- RECOVERED GLASS
- RECOVERED WHEELS
- RECOVERED RUBBER GASKETS
- WEIGHT: 240 KG

ARMADILLO



STEEL

- HAND-BRUSHED
- RECOVERED FROM INDUSTRIAL SCRAPS
- MAINTENANCE-FREE
- NOT SUBMITTED TO CHEMICAL TREATMENT
- RECYCLED, RECYCLABLE, MONOMATERIAL



GLASS

- LOCALLY SOURCED
- FROM INDUSTRIAL LEFTOVERS
- RECOVERED, RECYCLED, MONOMATERIAL

ARMADILLO



RECOVERED RUBBER

- LOCALLY SOURCED
- NONTOXIC
- NOT SUBMITTED TO CHEMICAL TREATMENT
- RECYCLED, RECYCLABLE



LINSEED OIL

- PERMEABLE AND PROTECTIVE
- DERIVED FROM 100% COLD-PRESSED FLAXSEED

AESTHETIC

CRAFTED

CONSCIOUS