

ENRICO MARONE CINZANO
FURNITURE

GEODE CONSOLLE

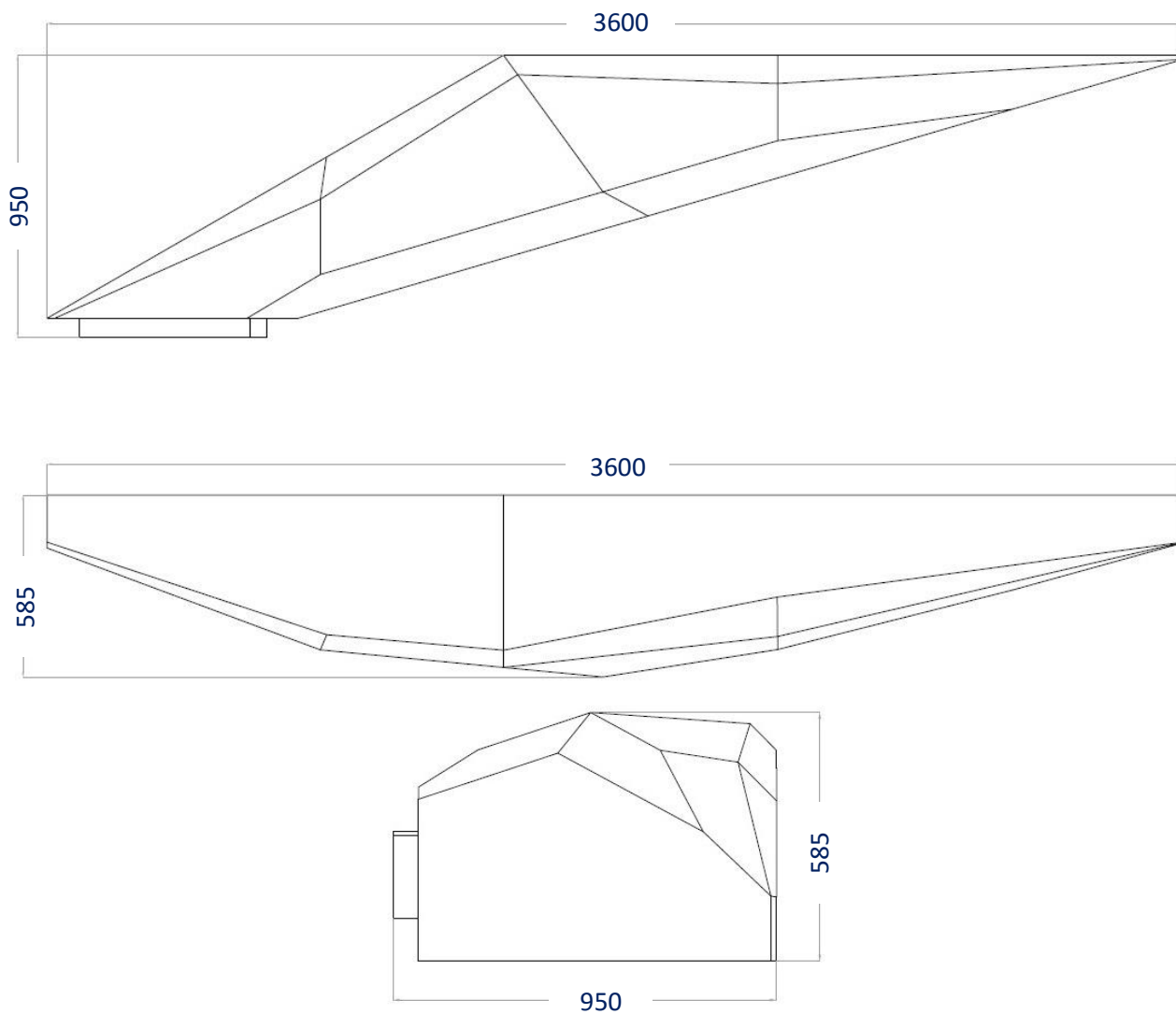
GEODE CONSOLLE



GEODE CONSOLLE

The enormous vastness of the country lends itself to a rich geological plethora and innumerable metals, including the largest deposits of rare metals, crystals and stalactites. I went deep into caves looking for such treasures, but realized that in most cases, the most beautiful pieces would have had only if extracted by my request. I therefore decided to reinterpret a study I had done and create a console hand forged in steel, an end product of natural iron ore, whose design was reminiscent of natural formations.

GEODE CONSOLLE



- MEASUREMENTS, IN CM: W 360 X H 95 X D 58,5
- HAND-BRUSHED STAINLESS STEEL
- WEIGHT: 100 KG
- PRODUCTION YEAR: 2015

GEODE CONSOLE



STEEL

- HAND-BRUSHED
- HAIRLINE FINISH
- MAINTENANCE-FREE
- MONOMATERIAL



HANDLE WITH LOVE

- THE WOOD MAY DEVELOP CRACKS, DISCOLORATIONS AND/OR OTHERWISE MOVE OR SHIFT. THIS IS PART OF THE WORKS OF NATURE, CANNOT BE AVOIDED AND IS AN INHERENT PART OF THE PRODUCT. PROPER CARE WILL CURTAIL THESE CHANGES

AESTHETIC

CRAFTED

CONSCIOUS