

ENRICO MARONE CINZANO
FURNITURE

MARBLE STEALTH TABLE

MARBLE STEALTH TABLE

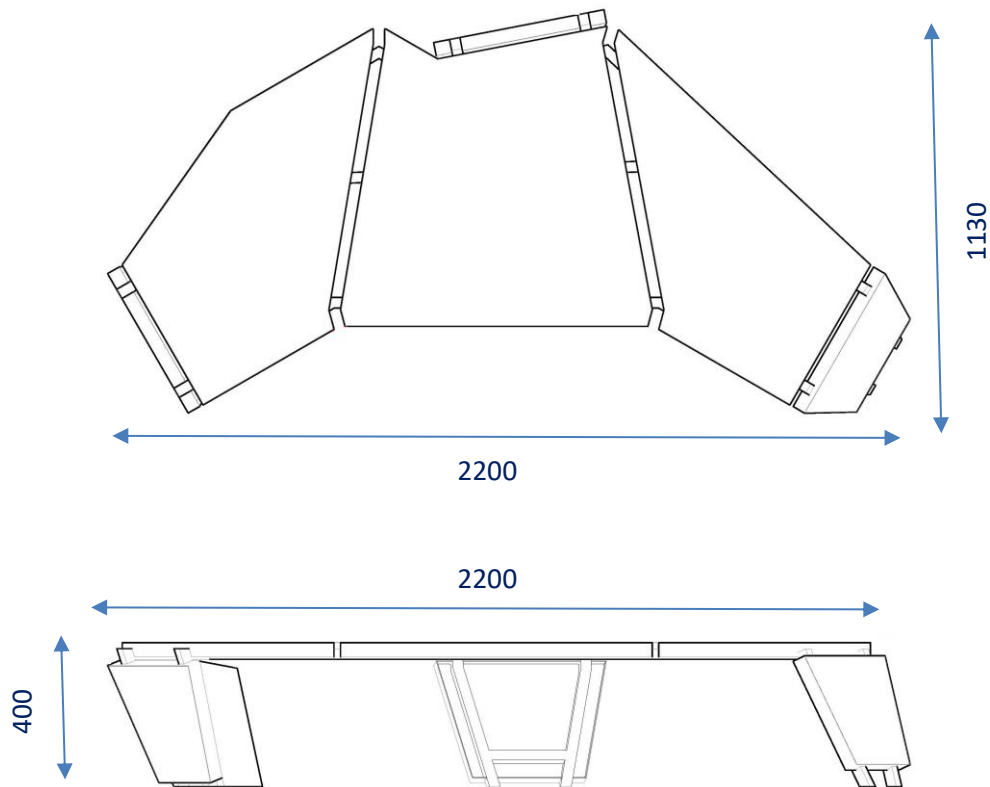


ENRICOMARONECINZANO.COM

MARBLE STEALTH TABLE

I continue to explore the connection between Nature, sustainability and technology through my new project Stealth. The process begun by creating a shape that could be replicated in different versions by means of making products which exist in different time periods. The first is a small coffee table crafted by hand entirely in locally recovered wood, utilizing age old Piemontes techniques in terms of joinery, without the use of anything that could be deemed toxic to the environment. Interestingly, this table could have been made 500 years ago, as everything about it is local to the Torino area and natural. I then expanded the concept with a larger version of the same shape, by making a coffee table in recycled aluminum that is treated to withstand scratches and topped with a marble called Zebrino, carved in Tuscany and coming from a batch of leftover materials. This latter product is very contemporary, both in terms of design but also in terms of bearing in mind the production of something which is sustainable in its processes. This completes my first presentation on the Project Stealth: next I will present a for a futuristic interpretation made exclusively for Rossana Orlandi, to be presented in the Fall 2017, which will include the latest technologies to show the proper evolvement that all products should have.

MARBLE STEALTH TABLE



- MEASUREMENTS, IN CM: W 220 X H 41 X D 113
- RECYCLED ALUMINIUM
- RECOVERED ZEBRINO MARBLE
- POWDER-COATED
- WEIGHT: 95 KG
- PRODUCTION YEAR: 2016

MARBLE STEALTH TABLE



RECYCLED ALUMINIUM

- Locally sourced
- Recycled, Recyclable, Monomaterial



POWDER PAINT

- Electrostatic low energy consumption process
- Solvent-free
- Lead-free
- Eco-friendly



ZEBRINO MARBLE

- Locally sourced from batch of leftover material
- Polished with a natural stone-based product

AESTHETIC

CRAFTED

CONSCIOUS