

ENRICO MARONE CINZANO
FURNITURE

COMODINO

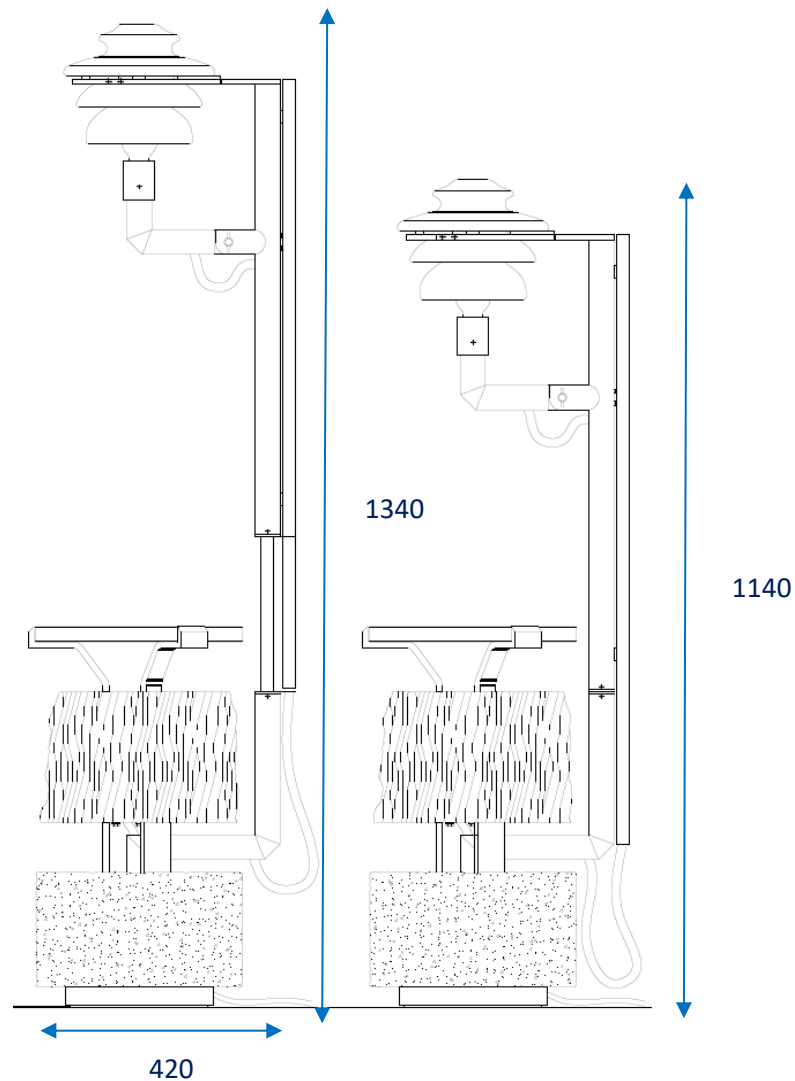
COMODINO



COMODINO

Nightables are an often overlooked item. Interesting because at the end of the game they are such an intimate piece of furniture, one which we see first thing in the morning and last thing at night. In my travels I sourced trunks of burl wood, absolutely beautifully decorated with what seem mathematically drawn 3D knobs. I also collected over the years some high tension electrical poles glass resistors, which have great shape and seem to be progressively in disuse. By combining these two materials with veined marble that picks up the colours of the wood, I have made these nightables which serve their original purpose but also celebrate Nature and look more like sculptures than anything else. I also housed some LED lightbulbs and light strip to add to their use as night lights.

COMODINO



- MEASUREMENTS, IN CM: W 33 X H 134/114 X D 42
- BLACKENED STEEL STRUCTURE
- RECLAIMED BURLED JUJUBE WOOD
- RECOVERED HIGH VOLTAGE GLASS INSULATOR
- LOCALLY SOURCED MARBLE
- CRADLE-TO-CRADLE GLASS
- WEIGHT: 72 KG
- PRODUCTION YEAR: 2018

COMODINO



BURLED JUJUBE WOOD

- Recovered wood
- Not submitted to chemical treatments
- Not painted



STEEL STRUCTURE

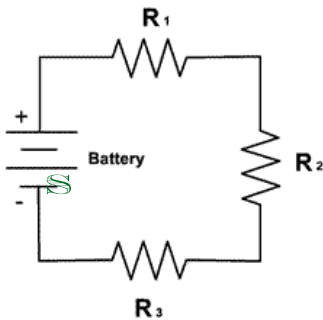
- Locally sourced
- Coating obtained with a special blackening product and solid beeswax
- Hand-made blackening without release of chemicals into the environment
- Maintenance-free

COMODINO



GREEN FOREST MARBLE

- Locally sourced from batch of leftover material
- Hand-polished without chemicals
- Maintenance-free



ELECTRICAL EQUIPMENTS

- Dimmerable LED strips
- 2700K Color temperature (warm light)
- Double USB port
- Multistandard 220 V outlet
- Dimmerable bulb lamp

AESTHETIC

CRAFTED

CONSCIOUS