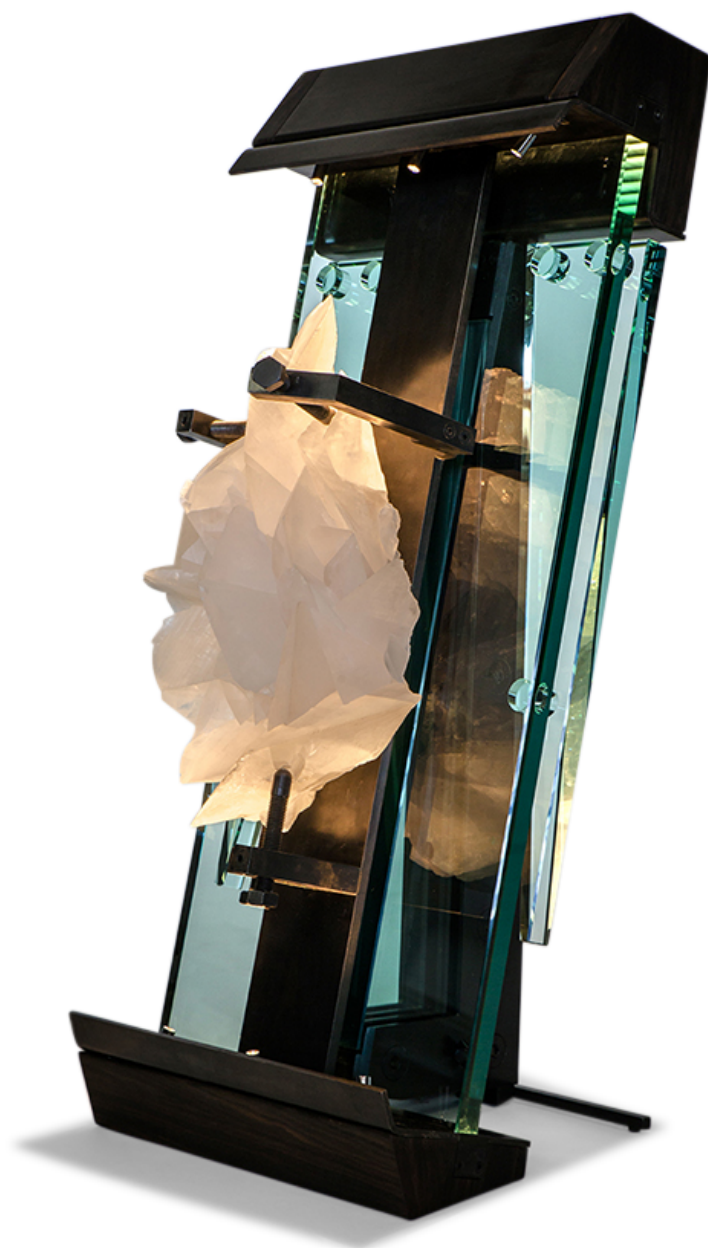


ENRICO MARONE CINZANO
FURNITURE

QUARZO

QUARZO

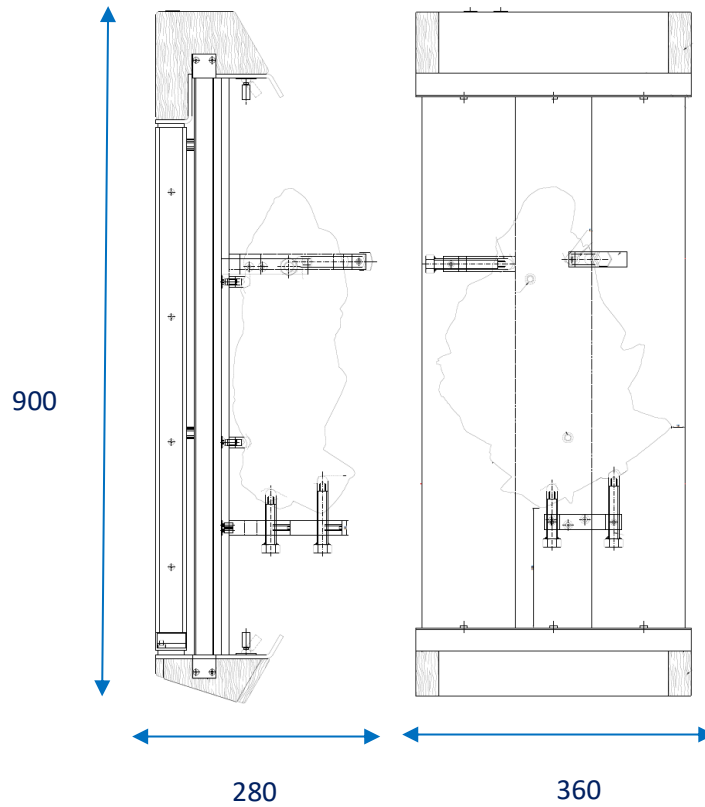


ENRICOMARONECINZANO.COM

QUARZO

Once more I try to celebrate the beauty of Nature by creating this table lamp made with a natural quartz I stumbled by in Torino at a Fair. It was so beautiful, the white colour stron and powerful and I decided it would make for a perfect accent in the context of a light. To bring the attention to the mineral, I encased on a lead free glass backing and used some LED lights to bring it even more to life. The mixture of wood, glass and iron is perfect when hand crafted makes for a stunning piece. Collaborating with Mother Nature.

QUARZO



- MEASUREMENTS, IN CM: W 36 X H 90 X D 28
- BLACKENED STEEL STRUCTURE
- EBONY WOOD
- WHITE ROCK CRYSTAL
- CRADLE-TO-CRADLE GLASS
- RECOVERED BOLTS
- LED LIGHTS
- WEIGHT: 77 KG
- PRODUCTION YEAR: 2018

QUARZO



STEEL STRUCTURE

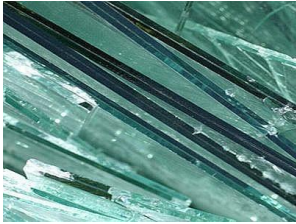
- Locally sourced
- Coating obtained with a special blackening product and solid beeswax
- Hand-made blackening without release of chemicals into the environment
- Maintenance-free



EBONY WOOD

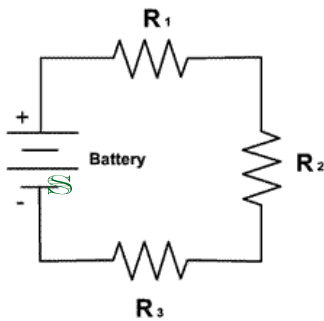
- Recovered wood
- Not submitted to chemical treatments
- Treated with beeswax

QUARZO



GLASS

- Complies with national policies and regulations relating to energy savings and CO2 emissions
- Cradle-to-cradle certified
- Inert material, not subject to harmful emissions
- Recycled, recyclable, monomaterial



ELECTRICAL EQUIPMENTS

- Dimmerable LED strips
- 3000K color temperature (warm light)
- Dimmerable spot lights

AESTHETIC

CRAFTED

CONSCIOUS