

ENRICO MARONE CINZANO
FURNITURE

COMODINI

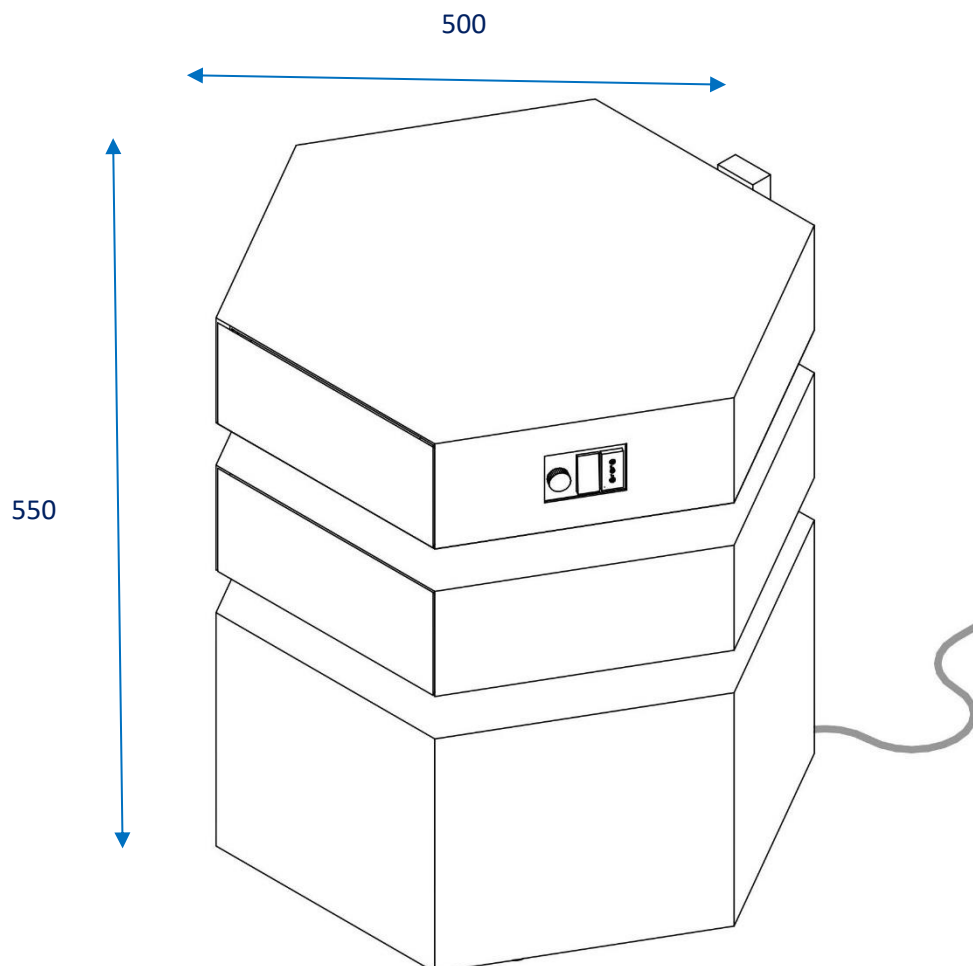
COMODINI



COMODINI

The 'comodini' are in effect two hexagonal nightstands made with recovered wood panels, recycled ball bearings and covered in leather sourced from overstocks coming from the tanneries in the shoe industry. They are both electrified and outfitted with both international plugs, as well as USB ports and internally lit by dimmable LED lights. Entirely hand made in Italy.

COMODINI



- MEASUREMENTS, IN CM: W 50 X H 55 X D 50
- BLACKENED STEEL STRUCTURE
- RECOVERED LEATHER
- LED LIGHTS
- WEIGHT: 60 KG
- PRODUCTION YEAR: 2019

COMODINI



STEEL STRUCTURE

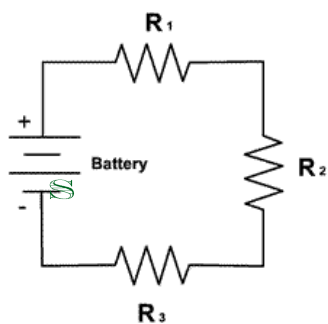
- Locally sourced
- Maintenance-free



RECYCLED LEATHER

- Locally sourced
- Recovered from shoes industry leftovers
- Not submitted to chemical treatments

COMODINI



ELECTRICAL EQUIPMENTS

- Dimmerable LED strips
- 2700K Color temperature (warm light)
- Double USB port
- Multistandard 220 V outlet

AESTHETIC

CRAFTED

CONSCIOUS