

ENRICO MARONE CINZANO
FURNITURE

MADIA

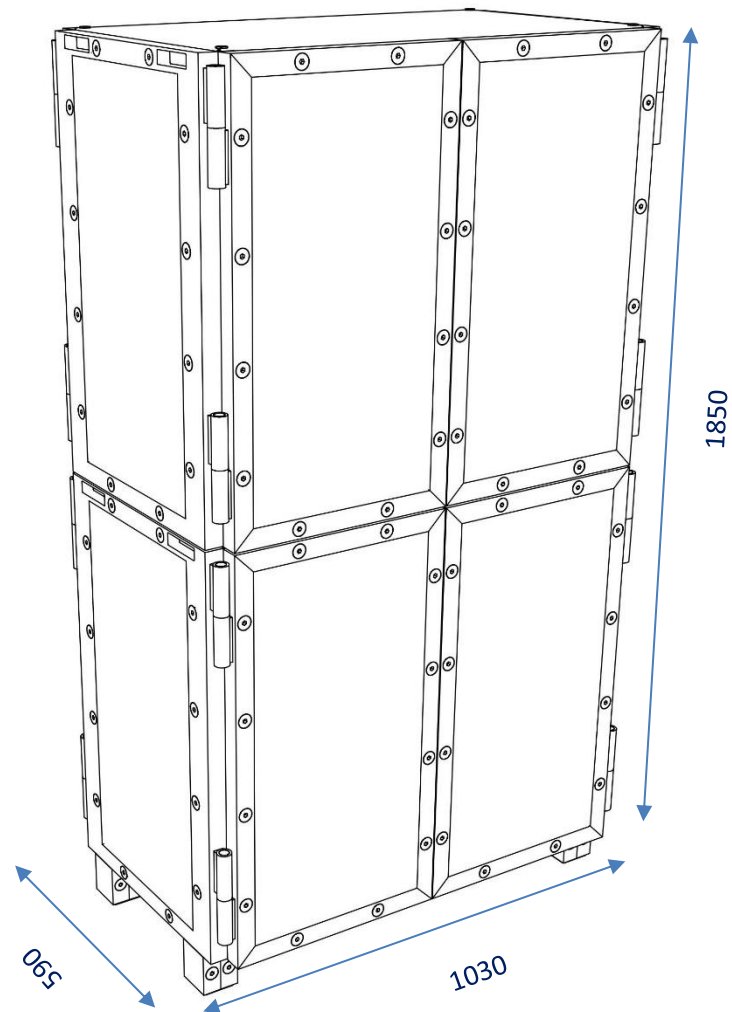
MADIA



MADIA

A collaboration between Enrico Marone Cinzano and the Chinese artist Danful Yang, the Madia is made of two stackable modular structures in recycled aluminum which are covered in hand embroidered natural silk panels, representing the conjunction of Italian design and Chinese handcrafts. The internally LED light Madia is a double face and can also be used as two separate commodes. Entirely hand made in Italy.

MADIA



- MEASUREMENTS, IN CM: W 103 X H 185 X D 59
- RECYCLED ALUMINIUM
- HAND-MADE SILK EMBROIDERIES
- WEIGHT: 340 KG
- PRODUCTION YEAR: 2019

MADIA



RECYCLED ALUMINIUM

- Locally sourced
- Hand-made vibration finish
- Recycled, Recyclable, Monomaterial



EMBROIDERIES

- Hand-made in China
- Natural silk

AESTHETIC

CRAFTED

CONSCIOUS